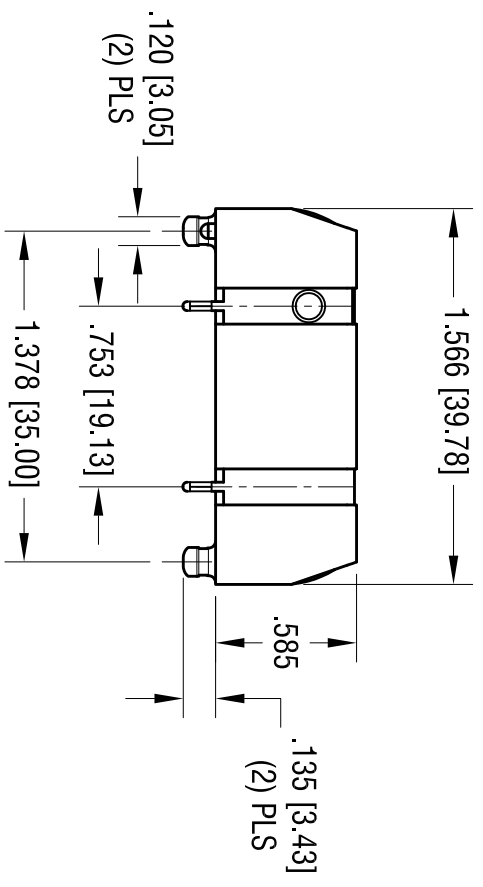
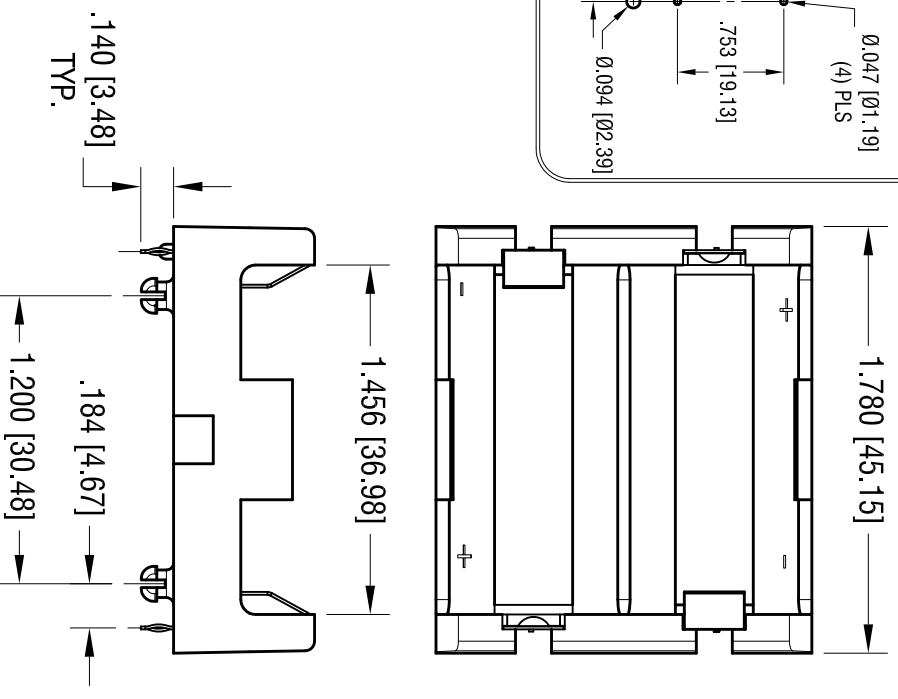
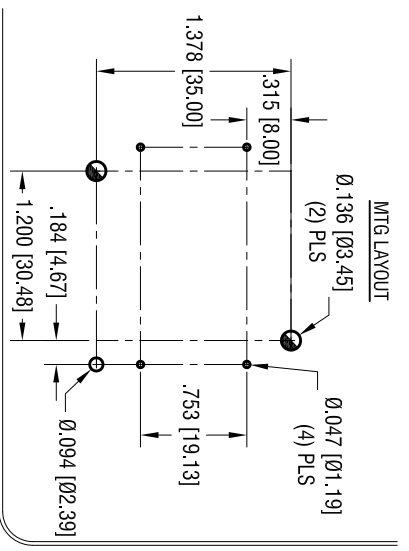
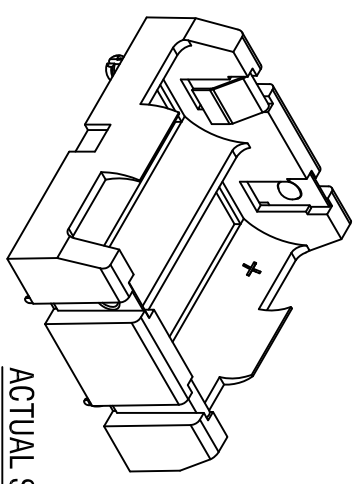


DATE	DESCRIPTION	REV.
9.14.4	CHANGE AS PER ECN 14-103	A



NOTE:
1. BASE:
 MAT'L: HEAT RESISTANCE NYLON
 STANLYL 46 OR EQUIVALENT
2. CONTACT:
 MAT'L: .012 THK STAINLESS STEEL
 FINISH: TIN NICKEL PLATE.



ACTUAL SIZE

THIS DOCUMENT IS THE PROPERTY OF KEYSTONE ELECTRONICS CORP. AND SHALL NOT BE REPRODUCED, DISTRIBUTED OR USED AS A BASIS FOR MANUFACTURE WITHOUT PRIOR WRITTEN PERMISSION FROM KEYSTONE ELECTRONICS CORP.

KEYSTONE ELECTRONICS CORP.			
www.keystec.com • ASTORIA, N.Y. 11105-2017 • Tel (718) 956-8900			
PART NAME		DUAL THM BATTERY HOLDER	
MATERIAL		AS NOTED	
FINISH	AS NOTED	DRN BY	NT
TOLERANCES	INCH [MM]	CODE	C
DECIMAL	± .005 [±]	DWG NO.	1097P
ANGULAR	± 1°	App'D	LN
UNLESS OTHERWISE SPECIFIED		DATE	7.28.14
		SCALE	1.25X