

Device connector, rear mounting - SACC-DSI-M 8MS-3CON-L180



1694334

<https://www.phoenixcontact.com/pc/products/1694334>

Please be informed that the data shown in this PDF document is generated from our Online Catalog. Please find the complete data in the user documentation. Our General Terms of Use for Downloads are valid.



Device connector, rear mounting, Universal, 3-position, Plug, straight, M8, Rear mounting, M8 x 1, Solder pins

Your advantages

- Easy PCB assembly: one-piece connectors for wave soldering
- Standard pin assignments and codings for signal transmission with a uniform design-in design
- For high transmission reliability: optional shield connection to the housing and latching on the PCB

Commercial Data

Item number	1694334
Packing unit	20 pc
Minimum order quantity	1 pc
Sales Key	02
Product Key	ABQBAA
Catalog Page	Page 226 (C-2-2013)
GTIN	4017918178697
Weight per Piece (including packing)	5.88 g
Weight per Piece (excluding packing)	5.88 g
Customs tariff number	85366990
Country of origin	DE

Device connector, rear mounting - SACC-DSI-M 8MS-3CON-L180



1694334

<https://www.phoenixcontact.com/pc/products/1694334>

Technical Data

Mounting

Mounting type	Rear mounting M8 x 1 With locking nut
Assembly instructions	With locking nut

Product properties

Product type	Circular connectors (device side)
Number of positions	3
Shielded	no
Coding	A

Insulation characteristics

Overvoltage category	II
Degree of pollution	3

Material specifications

Flammability rating according to UL 94	HB
Sealing material	NBR
Contact material	CuZn
Contact surface material	Au
Contact carrier material	PA 6.6
Material for screw connection	Nickel-plated brass

Electrical properties

Rated surge voltage	1.5 kV
Contact resistance	$\leq 3 \text{ m}\Omega$
Insulation resistance	$\geq 100 \text{ M}\Omega$
Nominal voltage U_N	48 V AC
	60 V DC
Nominal current I_N	4 A

Connection data

Conductor connection

Connection method	Solder pins
Tightening torque	1 Nm
	1.5 Nm

Connector

Connection 1

Head design	Plug
Head cable outlet	straight

Device connector, rear mounting - SACC-DSI-M 8MS-3CON-L180



1694334

<https://www.phoenixcontact.com/pc/products/1694334>

Head thread type	M8
------------------	----

Cable / line

Signal type/category	Universal
----------------------	-----------

Environmental and real-life conditions

Ambient conditions

Degree of protection	IP67
Degree of protection	IP67
Ambient temperature (operation)	-40 °C ... 85 °C

Standards and regulations

M8

Standards/specifications	IEC 61076-2-104
--------------------------	-----------------

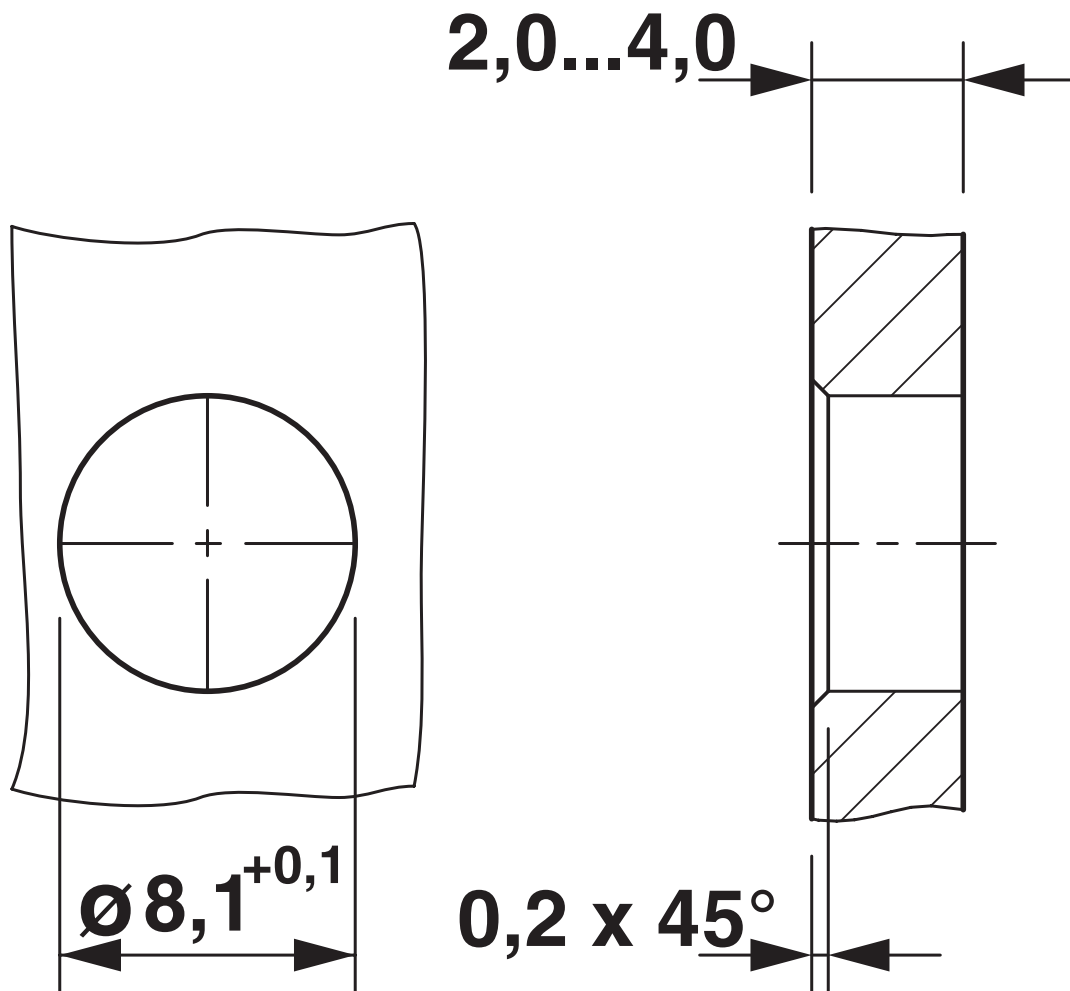
Device connector, rear mounting - SACC-DSI-M 8MS-3CON-L180

1694334

<https://www.phoenixcontact.com/pc/products/1694334>

Drawings

Dimensional drawing



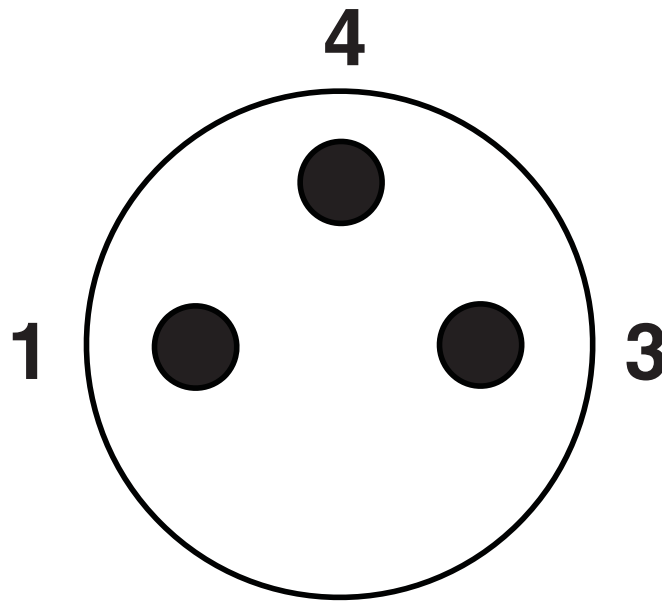
Housing cutout for M8 flush-type connector, connector, one-section

Device connector, rear mounting - SACC-DSI-M 8MS-3CON-L180

1694334

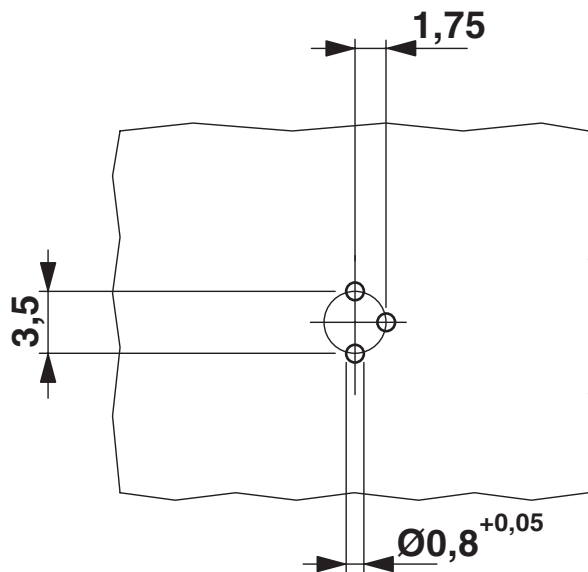
<https://www.phoenixcontact.com/pc/products/1694334>

Schematic diagram



Pin assignment M8 plug, 3-pos., view male side

Drilling plan/solder pad geometry

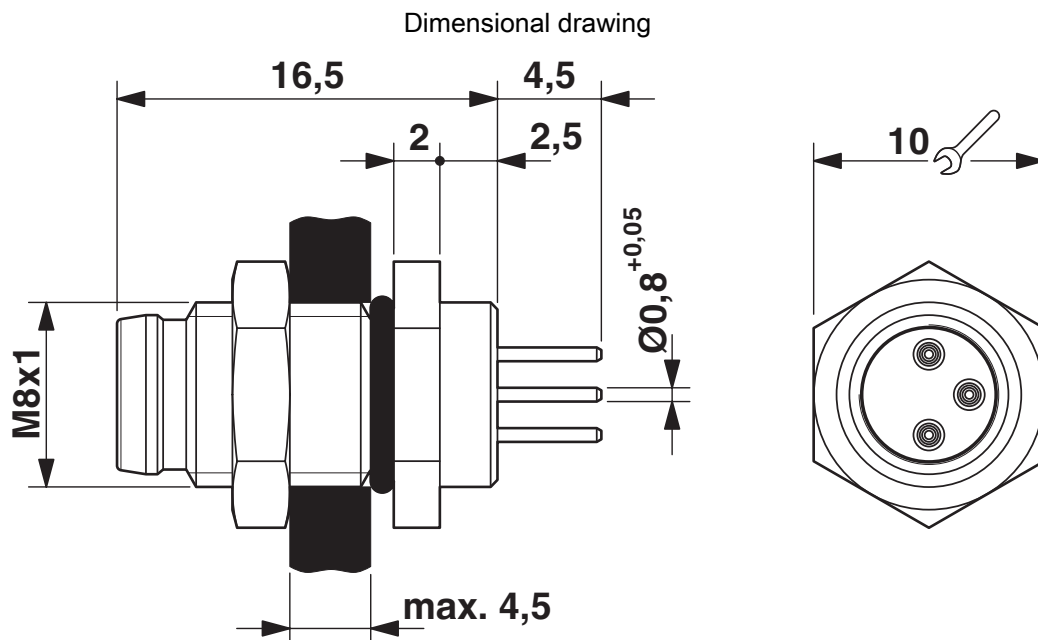


Drilling diagram

Device connector, rear mounting - SACC-DSI-M 8MS-3CON-L180

1694334

<https://www.phoenixcontact.com/pc/products/1694334>



M8 flush-type plug

Device connector, rear mounting - SACC-DSI-M 8MS-3CON-L180




1694334

<https://www.phoenixcontact.com/pc/products/1694334>

Approvals

 cUL Recognized Approval ID: FILE E 221474				
	Nominal Voltage U_N	Nominal Current I_N	Cross Section AWG	Cross Section mm^2
	30 V	4 A	-	-

 UL Recognized Approval ID: FILE E 221474				
	Nominal Voltage U_N	Nominal Current I_N	Cross Section AWG	Cross Section mm^2
	30 V	4 A	-	-

 EAC Approval ID: B.01687				
---	--	--	--	--

cULus Recognized				
-------------------------	--	--	--	--

Device connector, rear mounting - SACC-DSI-M 8MS-3CON-L180



1694334

<https://www.phoenixcontact.com/pc/products/1694334>

Classifications

ECLASS

ECLASS-10.0.1	27440102
ECLASS-9.0	27440102
ECLASS-11.0	27440102

ETIM

ETIM 8.0	EC002635
----------	----------

UNSPSC

UNSPSC 21.0	39121400
-------------	----------

Device connector, rear mounting - SACC-DSI-M 8MS-3CON-L180



1694334

<https://www.phoenixcontact.com/pc/products/1694334>

Environmental Product Compliance

REACH SVHC	Lead 7439-92-1
China RoHS	Environmentally Friendly Use Period = 50 years
	For information on hazardous substances, refer to the manufacturer's declaration available under "Downloads"

Phoenix Contact 2023 © - all rights reserved
<https://www.phoenixcontact.com>

PHOENIX CONTACT GmbH & Co. KG
Flachmarktstraße 8
D-32825 Blomberg
+49 (0) 5235-3 00
info@phoenixcontact.com