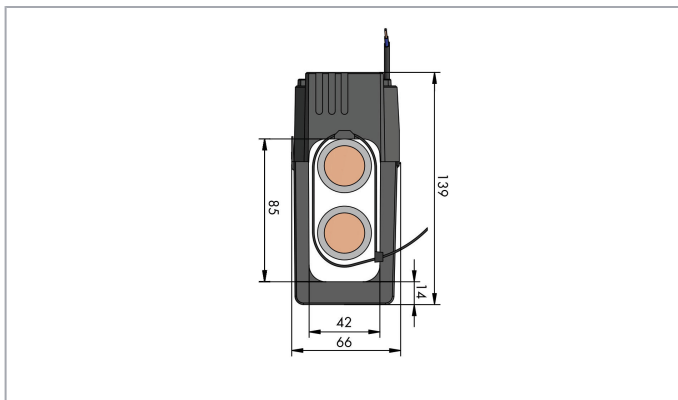
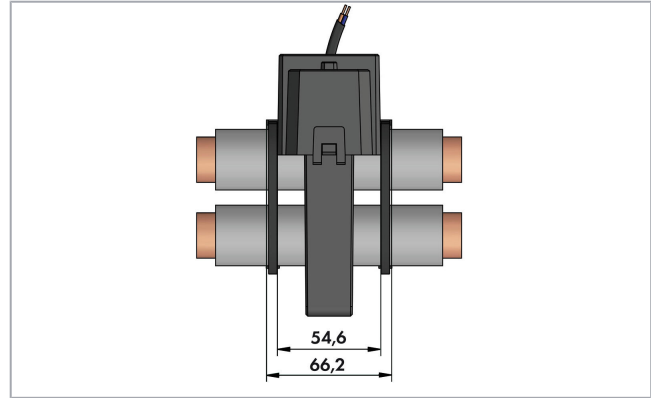
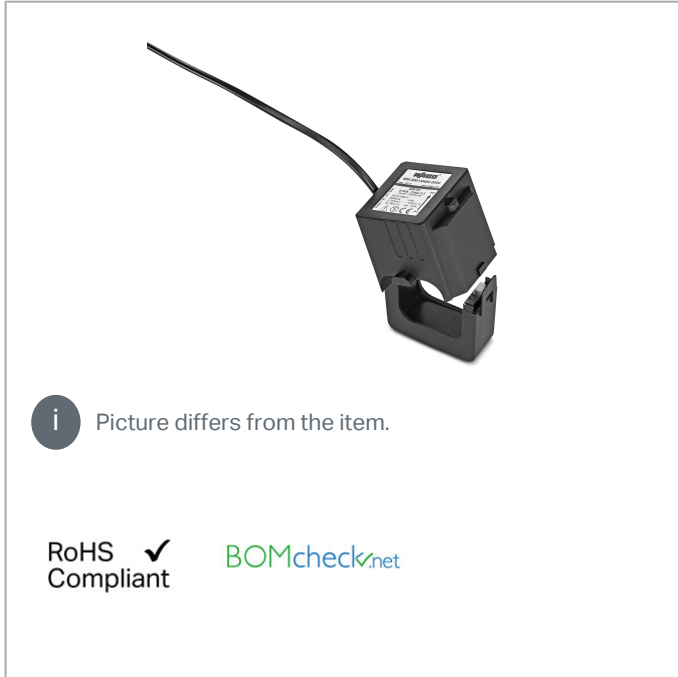


## Data sheet | Item number: 855-5105/800-000

Split-core current transformer; Primary rated current: 800 A; Secondary rated current: 5 A; Rated power: 0.5 VA; Accuracy class: 0.5



[www.wago.com/855-5105/800-000](http://www.wago.com/855-5105/800-000)



### Item description

#### Short description:

WAGO's compact split-core current transformers are ideal for retrofitting existing systems. They are perfect for applications in which the current path must not be disrupted.

The transformer's accuracy permits extremely precise current measurements. The split-core current transformers are capable of supplying the specified rated power at

Subject to changes. Please also observe the further product documentation!

WAGO Kontakttechnik GmbH & Co. KG  
Hansastr. 27  
32423 Minden  
Phone: +49571 887-0 | Fax: +49571 887-169  
Email: [info.de@wago.com](mailto:info.de@wago.com) | Web: [www.wago.com](http://www.wago.com)

Do you have any questions about our products?  
We are always happy to take your call at +49 (571) 887-44222.

the end of the secondary cable. All transformers are supplied with color-coded cables. Two UV-resistant cable ties are also included for secure and easy mounting.

**Features:**

- Current ratios from 800 A (primary side) and 5 A (secondary side)
- No measuring cable interruption
- Ideal for use in very confined spaces
- Rapid mounting
- For use around insulated cables up to 42 mm diameter
- Compact and hinged
- Color-coded connecting cable 3 m

**Data****Technical data****Input – current transformer**

Primary rated current	800 A
Rated continuous thermal current $I_{cth}$	100 %
Rated short-time thermal current $I_{th}$	$60 \times I_N / 1 \text{ s}$
Rated surge current $I_{dyn}$	$2.5 \times I_{th}$
Rated frequency	50 ... 60 Hz

**Output – current transformer**

Secondary rated current	5 A
Rated power $S_r$	0.5 VA

**Measurement error**

Accuracy class	0.5
----------------	-----

**Safety and protection**

Highest voltage for equipment $U_m$	AC 720 V <sub>rms</sub>
Protection type	IP20

**Test voltage**

Test voltage	AC 3 kV; 50 Hz; 1 min
--------------	-----------------------

Subject to changes. Please also observe the further product documentation!

## Connection data

Feedthrough for measurement conductor	2 x Ø 42 mm
Cable type	2 x 1.5 mm <sup>2</sup> ; fine-stranded
Color code	black = S1; red = S2

## Physical data

Cable length	3 m
--------------	-----

## Mechanical data

Mounting type	Split-core current transformer (suspended)
---------------	--

## Material data

Insulation class	E
Flammability class per UL94	V2
Housing material	PA 66
Weight	600 g

## Environmental requirements

Surrounding air temperature (operation)	-10 ... 55 °C
Surrounding air temperature (storage)	-20 ... 70 °C
Relative humidity	5 ... 85 % (without condensation)
Operating altitude (max.)	2000 m

## Standards and specifications

Conformity marking	CE
Standards/Specifications	EN 61869-1; EN 61869-2

## Commercial data

Packaging type	BOX
Country of origin	NL
GTIN	4055143950855
Customs tariff number	85043180888

Subject to changes. Please also observe the further product documentation!

## Compatible products

### General accessories



Item no.: 857-551

Current signal conditioner; Current input signal; Current and voltage output signal; Digital output; Configuration via software; Supply voltage: 24 VDC; 6 mm module width

[www.wago.com/857-551](http://www.wago.com/857-551)

## Downloads

### Documentation

#### Bid Text

X81 - Datei

xml  
5.5 kB

Download

docx - Datei

docx  
16.2 kB

Download

#### Instruction Leaflet

Kabelumbau-Stromwandler

V 1.1.0  
15. 1. 2020pdf  
832.5 kB

Download

## Engineering-Software

### Software for Interface-Products

WAGO Interface Configuration Software G2 SMALL

1.0.5.03  
14. 9. 2020exe  
29.8 MB

Download

The full setup only includes the WAGO Interface Configuration Software G2.

WAGO Interface Configuration Software G2 FULL

1.0.5.03  
14. 9. 2020exe  
113.7 MB

Download

The full setup, in addition to the WAGO Interface Configuration Software G2, includes the installation for the Microsoft .NET Framework.

## Environmental Product Compliance

### Compliance Search

Environmental Product Compliance 855-5105/800-000

URL

Download

Split-core current transformer; Primary rated current: 800 A; Secondary rated current: 5 A; Rated power: 0.5 VA; Accuracy class: 0.5

## Installation Notes

Subject to changes. Please also observe the further product documentation!

WAGO Kontakttechnik GmbH &amp; Co. KG

Hansastr. 27

32423 Minden

Phone: +49571 887-0 | Fax: +49571 887-169

Email: [info.de@wago.com](mailto:info.de@wago.com) | Web: [www.wago.com](http://www.wago.com)

Do you have any questions about our products?

We are always happy to take your call at +49 (571) 887-44222.

## Installation



Simple termination!



Quick and easy mounting!



Subject to changes. Please also observe the further product documentation!