

2J240GP (DATASHEET)

Type	Tetra antenna
Frequencies	TETRA (380 - 500 MHz)
Mounting	Wall Mount
Revision	00



P. Tipul

1. SPECIFICATION

1.1. Electrical Specifications

Frequencies	TETRA (380 - 500 MHz)
Impedance	50 Ohms
Polarization	VERTICAL
Gain	2.14 dBi Max
VSWR	<2:1
Operating temperature	-40°C to +85°C

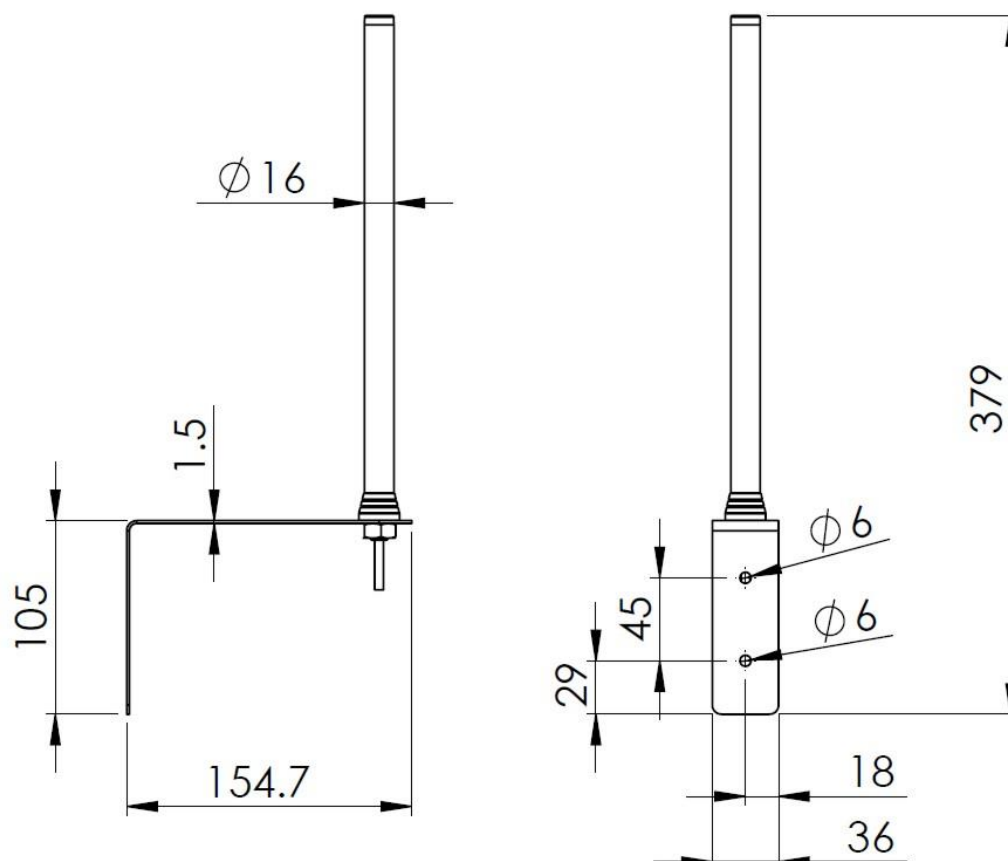
1.2. Connection Specifications

Connector type: SMA male
 Cable: RG58
 Cable length: 500 cm

For different cable length and connector type ask our sales team.

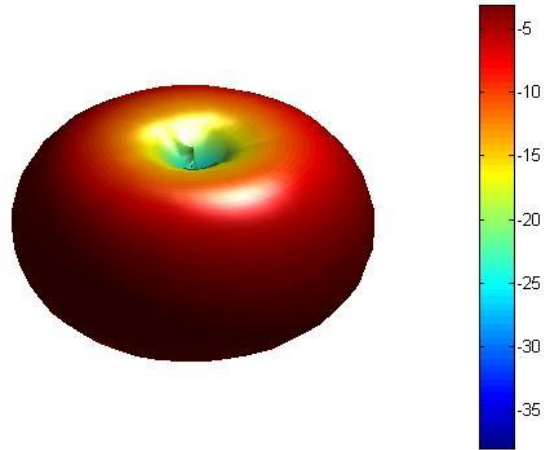
1.3. Mechanical Specifications and Dimensions

Material: ABS
 Max. dimensions: 379mm x 154.7mm x 36mm (H x L x W)
 Colour: Black (for different colours please ask our sales team)

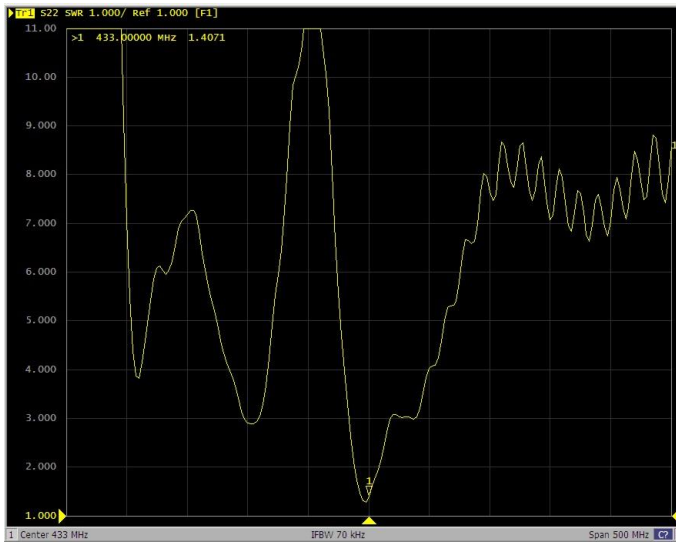


2. MEASUREMENT

433MHz
Freq = 0.4330GHz Az= 45 EL= 45

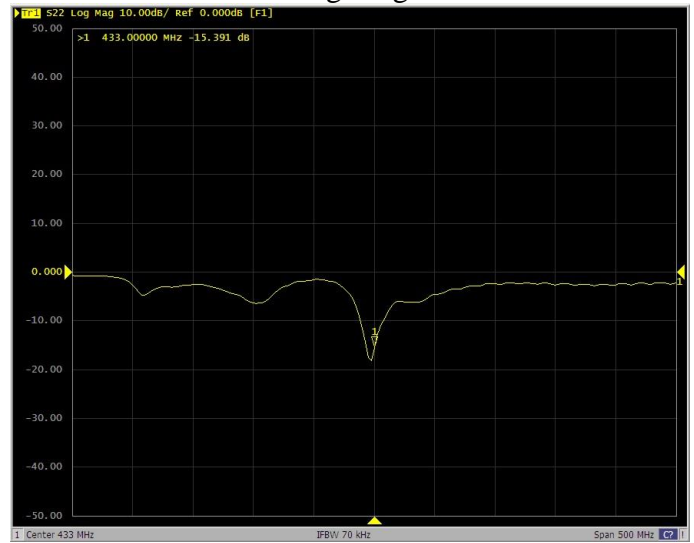


VSWR



Tested with 50cm RG174

Log Mag



Tested with 50cm RG174