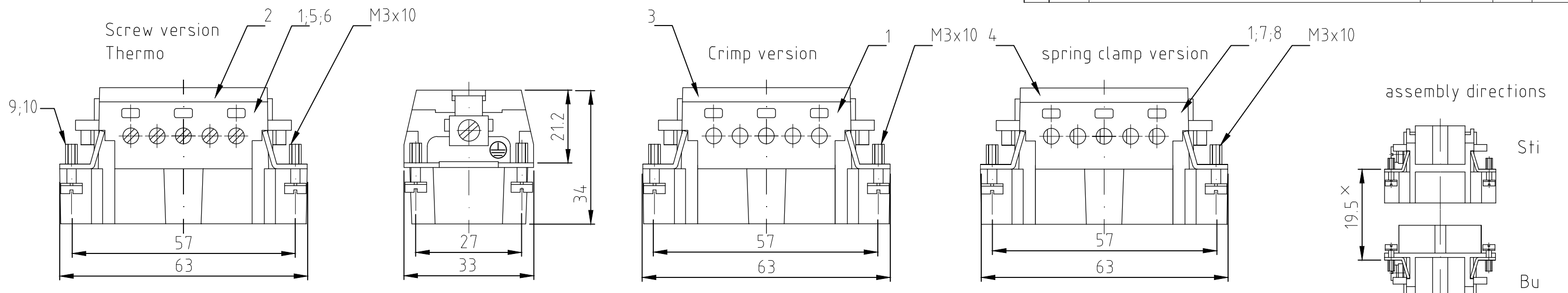


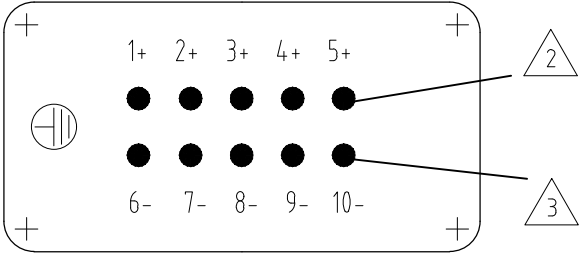
THIS DRAWING IS UNPUBLISHED.  
VERTRAULICHE UNVERÖFFENTLICHTE ZEICHNUNG  
© COPYRIGHT - By -

RELEASED FOR PUBLICATION  
FREI FUER VERÖFFENTLICHUNG  
ALL RIGHTS RESERVED.  
ALLE RECHTE VORBEHALTEN

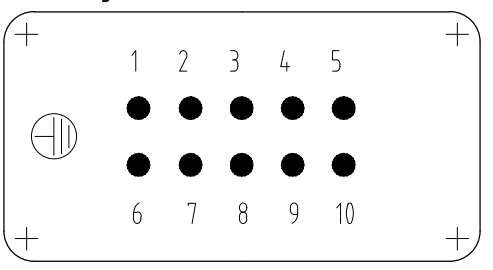
P	LTR	DESCRIPTION BESCHREIBUNG	DATE	DWN	APVD
	A9	REVISED PER ECR-17-014412	03APR18	NG	MKO



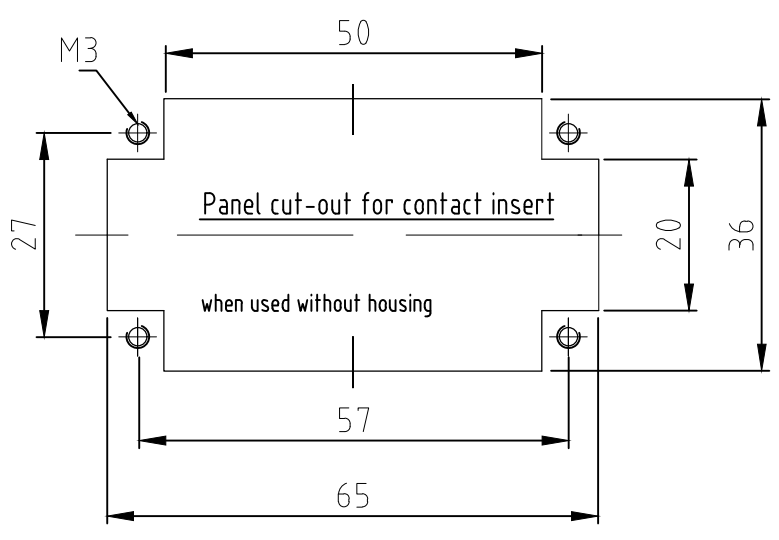
Printing 1-10 Thermo



Printing 1-10 Screw



- NOTES:**
- 1 SUITABLE CRIMP CONTACTS: SERIES HE/HA  
OUTER DIMENSIONS OF INSULATION: MAX. Ø3,2 MM
  - 2 SUITABLE HOOD SIZE 4: SERIES HB, HD, HIP, EMV  
SUITABLE INSERTION AND EXTRACTION TOOL:  
SCREWDRIVER 0,5x3 DIN 5264
  - 3 Strip length: Screw conection 10mm  
Spring clamp conection 10mm Crimp conection 7.5mm
  - 4 STANDARDS:  
DIN EN 61984; DIN EN 60664-1
  - 5 PACKAGING:  
5 SETS IN A CARTON, PRE-MOUNTED
  - 6 SPECIAL PACKAGING: Krauss-Maffei  
PACKAGING UNIT: 250 PIECES



OBSOLETE	OBSOLETE	OBSOLETE	OBSOLETE	SUPERSEDED BY T204.0103101-000	SUPERSEDED BY T204.0104.101-000	OBSOLETE								
		4							fixing screw	stainless steel	even		10	M3x10
4	4		4	4	4	4	4		fixing screw	steel	nickel plated	blue	9	M3x10
10									contact spring clamp	brass	gold plated		8	
				10					contact pin	brass	silver plated		7	
			10						contact screw termination	brass	gold plated		6	
	10	10					10		contact screw termination	brass	silber plated		5	
1				1					cover spring version			light grey	4	
				1					cover crimp version			light grey	3	
	1	1	1			1	1		cover screw version			light grey	2	
1	1	1	1	1	1	1	1		pin insert			light grey	1	

ORDERING TEXT / BESTELLTEXT	DESCRIPTION / BENENNUNG	MATERIAL	SURFACE	COLOR	ITEM NO. POS.	NOTES
HE.10.Sti.SC-AU	fixing screw	stainless steel	even		10	M3x10
HE.10.Sti.S.KM	fixing screw	steel	nickel plated	blue	9	M3x10
HE.10.Sti.S.VA	contact spring clamp	brass	gold plated		8	
HE.10.Sti.S-AU	contact pin	brass	silver plated		7	
HE.10.Sti.SC	contact screw termination	brass	gold plated		6	
HE.10.Sti.C	contact screw termination	brass	silber plated		5	
HE.10.Sti.S-T	cover spring version			light grey	4	
HE.10.Sti.S	cover crimp version			light grey	3	
	cover screw version			light grey	2	
	pin insert			light grey	1	

THIS DRAWING IS A CONTROLLED DOCUMENT. DIESE ZEICHNUNG IST EIN KONTROLLIERTES DOKUMENT.		DWN Gräf 10.02.1999	TE Connectivity		
DIMENSIONS: MASSENHEITEN: mm		CHK Schweiger 18.02.1999			
TOLERANCES UNLESS OTHERWISE SPECIFIED: ALLGEMEINTOLERANZEN		APVD - NAME	Male insert HE.10.STI.S/C		
0 PLC ±		PRODUCT SPEC PRODUKTSPEZ.	-		
1 PLC ±		APPLICATION SPEC VERARBEITUNGSSPEZ.	-		
2 PLC ±		SIZE A3	CAGE CODE 00779	DRAWING NO. ZEICHNUNGS-NR. G-1103636	RESTRICTED TO NUR FUER
3 PLC ±		WEIGHT GEWICHT	SCALE MASSTAB 1:1		
4 PLC ±		FINISH/OBERFLAECHE/FARBE	SHEET BLATT 1 OF VON 1		
ANGLES / WINKEL ±			REV A9		
CUSTOMER DRAWING/KUNDENZEICHNUNG					