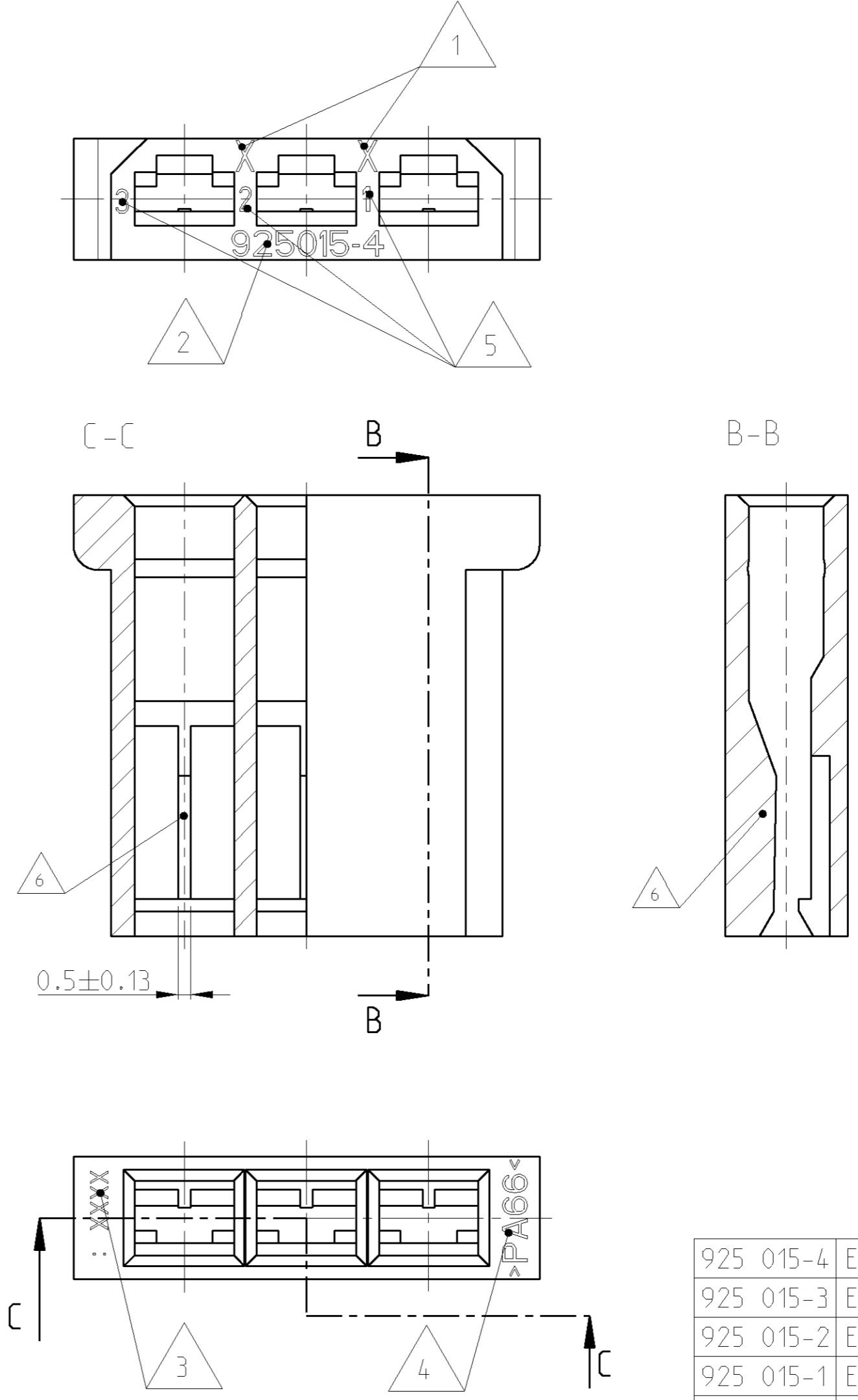


LOC	DIST	REVISIONS			
P	LTR	DESCRIPTION	DATE	DWN	APVD
A1	-	E5 REVISED PER ECO-11-005150	03MAY11	RK	HMR

925015-4 AS SHOWN
 925015-4 wie dargestellt



NOTES
 Bemerkungen

- 1 MOULD CAVITY NUMBER
Werkzeugnestzahl
- 2 PART NUMBER
Teilenummer
- 3 ARTWORK LOGO
Firmenzeichen
- 4 MATERIAL MARKING
Werkstoffkennzeichnung
- 5 CHAMBER NUMBER
Kammernummer
- 6 CODING RIB
Kodiersteg
- 7 WEIGHT: 925015-0/-1/-2/-3 - 0,94g
Gewicht: 925015-4 - 0,98g

ORDER-NO.	REV	DESCRIPTION	MATERIAL	COLOUR
925 015-4	E	3POS. HOUSING	PA6.6	NATURAL
925 015-3	E	3POS. HOUSING	PA6.6 (ZYTEL 101)	NATURAL
925 015-2	E	3POS. HOUSING	PA6.6	RED
925 015-1	E	3POS. HOUSING	PA6.6	BLACK
925 015-0	E	3POS. HOUSING	PA6.6	NATURAL

DWN	Haas.C.	21MAR2005
CHK	Stredak.F.	22MAR2005
APVD	Bleicher.M.	31MAR2005
PRODUCT SPEC	-	
APPLICATION SPEC	-	
WEIGHT	SEE NOTE	
CUSTOMER DRAWING		

STE TE Connectivity	
NAME 3POS. FAST-IN-FASTON REC. HSG. SER.110 3pol. F.F. Steckerhülse Serie 2.8	
SIZE	A2
CAGE CODE	00779
DRAWING NO	G=925015
RESTRICTED TO	-
SCALE	5:1
SHEET	1 OF 1
REV	E5

925015