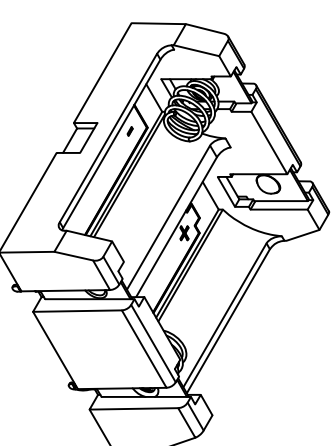
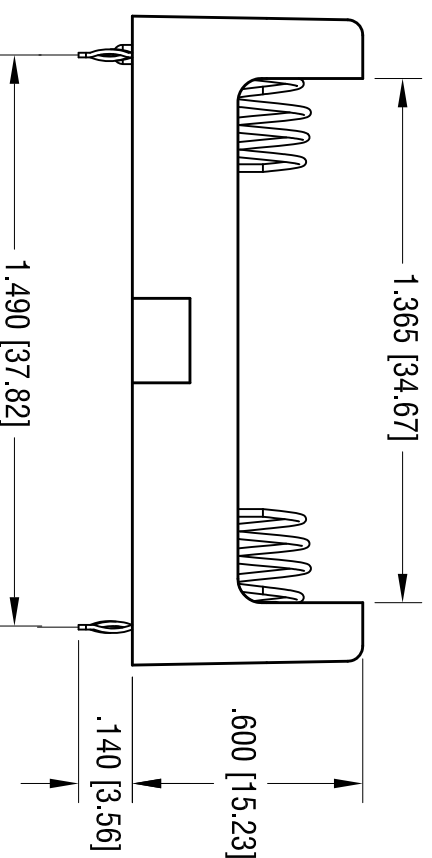
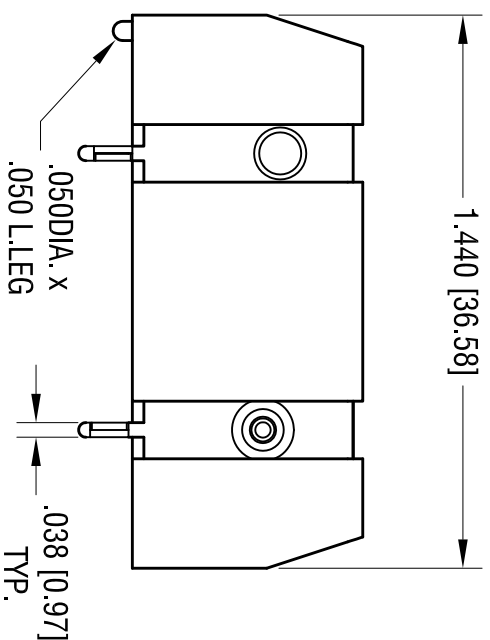
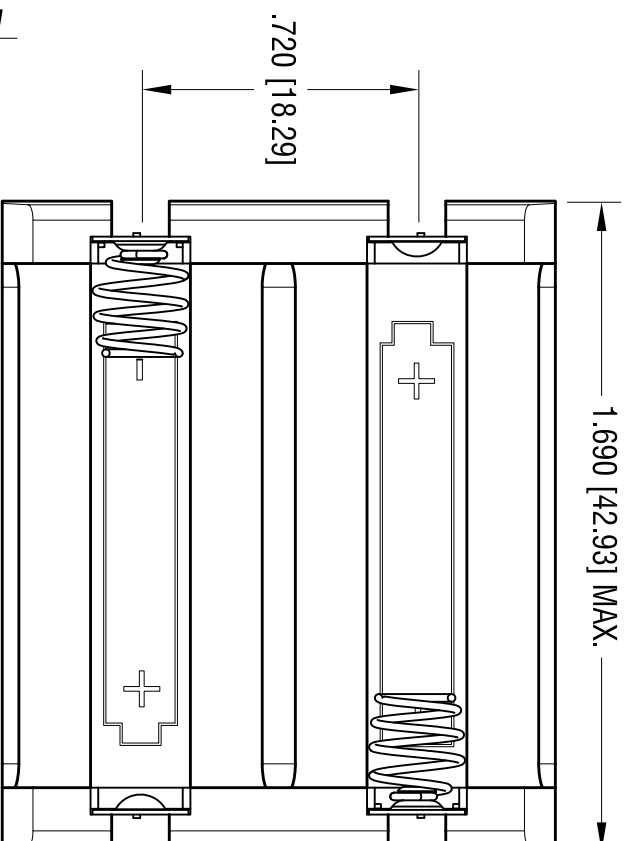
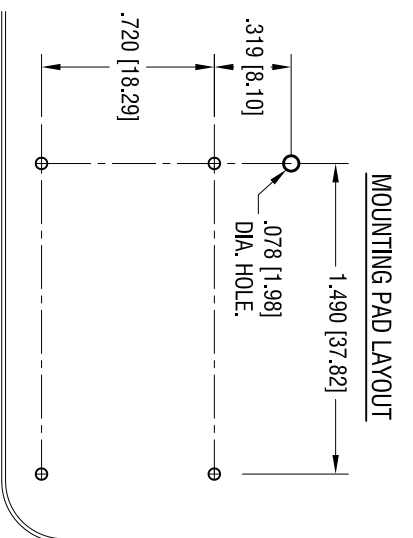


DATE

DESCRIPTION

REV.

MOUNTING PAD LAYOUT



ACTUAL SIZE

KEYSTONE ELECTRONICS CORP.

www.keystone.com • ASTORIA, N.Y. 11105-2017 • Tel (718) 956-8900

PART NAME

SM BATTERY HOLDER, (2) CR123A

MATERIAL

AS NOTED

FINISH

AS NOTED

DRN BY	NT	DATE	12.31.14
APP'D	LN	SCALE	2X

- NOTE:
1. BASE:
MAT'L: HEAT RESISTANCE NYLON (UL94V-0)
STANYL 46 OR EQUIVALENT
 2. CONTACT POSITIVE :
MAT'L: .012 [0.30] THK STAINLESS STEEL
FINISH: NICKEL PLATE

2. CONTACT NEGATIVE :
BASE MAT'L: .012 [0.30] THK STAINLESS STEEL
FINISH: NICKEL PLATE
SPRING: .020 DIA. MUSIC WIRE, NICKEL PLATE
SPRING EYELETED TO BASE

THIS DOCUMENT IS THE PROPERTY OF
KEYSTONE ELECTRONICS CORP. AND
SHALL NOT BE REPRODUCED, DISTRIBUTED
OR USED AS A BASIS FOR MANUFACTURE
WITHOUT PRIOR WRITTEN PERMISSION
FROM KEYSTONE ELECTRONICS CORP.

TOLERANCES	INCH	[MM]	CODE	DWG NO.
DECIMAL	± .010	[±	C	1055
ANGULAR	± 1°]		