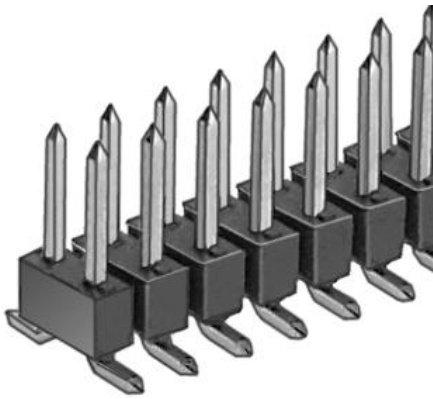
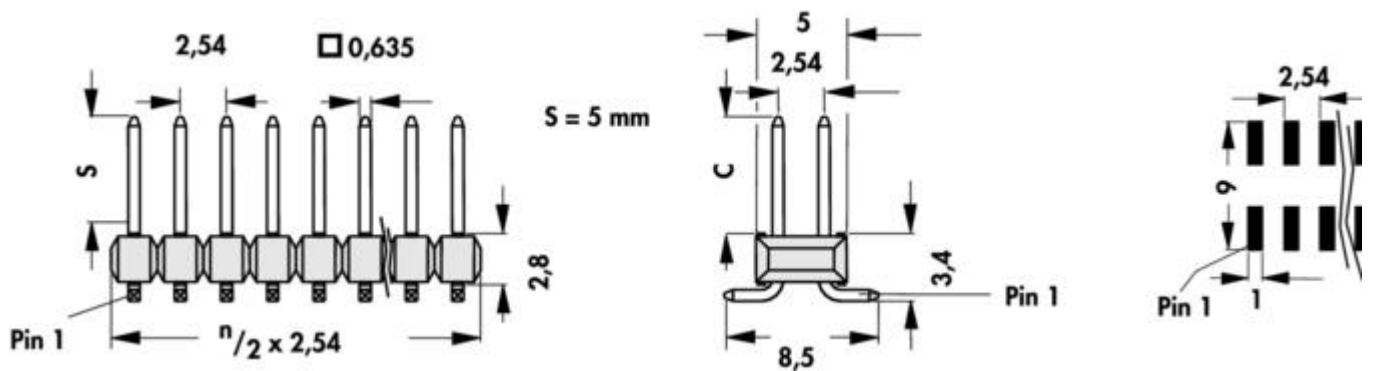


Male headers in SMD mounting / **SL 11 SMD 062**



Parameters of article SL 11 SMD 062

version	standard
surface	sel. gold-plated
number of rows	2
no. of contacts	6 / 8 / 10 / 12 / 14 / 16 / 18 / 20 / 22 / 24 / 26 / ... / 40
grid	2.54
connection type	SMD
direction	standing
packing (option)	bar magazine / pick and place pad and bar magazine
soldering	no
male cross-section	square 0.635
Reflow solderable	yes



Technical data PCB connectors

	SL 1–6, 10–22, SLK 3 + 4, SL LP 1-4, LB SL, UM SL
Contact material: shell	CuSn-alloy
Contact surface of the shell: gold/tin	Ni + 0,2 µm Au (thicker gold platings on request), Ni + 6 µm Sn
Contact spring: material/surface	
Transition resistance:	≤ 5 mOhm
Shock resistance:	
Vibration resistance max.:	
Capacity between two adjacent contacts:	
Current rating:	3 A
Nominal voltage:	250 V AC
Test voltage:	2000 V
Insulator: material	PA 4.6, GF
Temperature range:	-40 °C ... +163 °C (+260 °C 1 min.)
Flammability class:	UL 94 V-0
Insulation resistance:	> 10 ¹² Ohm
Plugability for pins:	
Insertion depth for pins:	
Insertion/Extraction, type:	holding force: > 7 N