

Data sheet

769-606/001-000

**MALE CONNECTORS WITH CAGE CLAMP CONNECTION AND SNAP-IN MOUNTING FEET
PIN SPACING 5 MM / 0.197 IN WITH MOUNTING FEET 209-137 ON TS 35 FOR SHEET THICKNESS 0.6-1.2 MM**



Technical data

Package size 50 pieces.

Pin spacing from	5 mm
Pin spacing from	0.197 in
pole count	6
Cross section from [mm ²]	0.08 mm ²
Cross section to [mm ²]	4 mm ²
Cross section from [AWG]	28 AWG
Cross section to [AWG]	12 AWG
Voltage UL	600 V
Voltage CSA	300 V
Current UL	20 A
Current CSA	10 A
Measured voltage EN	500 V
Measured shock voltage	6 kV
Pollution degree	3
Current intensity EN	24 A
Weight	17.899 g
Color	grey
Wiring type	Front-entry
No. of connection Points	6
No. of potentials	6
Height	13.8 mm
Height	0.543 in
Width	33.6 mm

Data sheet

769-606/001-000

**MALE CONNECTORS WITH CAGE CLAMP CONNECTION AND SNAP-IN MOUNTING FEET
PIN SPACING 5 MM / 0.197 IN WITH MOUNTING FEET 209-137 ON TS 35 FOR SHEET THICKNESS 0.6-1.2 MM**

Width	1.323 in
Depth	40.2 mm
Depth	1.583 in
Strip length from	8 mm
Strip length to	9 mm
Strip length	0.33 in

Data sheet

769-606/001-000

**MALE CONNECTORS WITH CAGE CLAMP CONNECTION AND SNAP-IN MOUNTING FEET
PIN SPACING 5 MM / 0.197 IN WITH MOUNTING FEET 209-137 ON TS 35 FOR SHEET THICKNESS 0.6-1.2 MM**

Approval	Voltage	Current	Approval number	Notes
CCA	500	32	NL5642	
CSA	300	10	154112-1466219	
KEMA	500	32	2077750.01	
UL	600	20	E45171	
UL	300/600	10/5	E45172	

Data sheet

769-606/001-000

**MALE CONNECTORS WITH CAGE CLAMP CONNECTION AND SNAP-IN MOUNTING FEET
PIN SPACING 5 MM / 0.197 IN WITH MOUNTING FEET 209-137 ON TS 35 FOR SHEET THICKNESS 0.6-1.2 MM**

Accessories	Item number
1-CONDUCTOR FEMALE PLUG TO BE FIXED ON RECEPTACLE TERMINAL BLOCKS OR MALE CONNECTORS	769-101
1-CONDUCTOR FEMALE PLUG TO BE FIXED ON RECEPTACLE TERMINAL BLOCKS OR MALE CONNECTORS	769-102
1-CONDUCTOR FEMALE PLUG TO BE FIXED ON RECEPTACLE TERMINAL BLOCKS OR MALE CONNECTORS	769-103
1-CONDUCTOR FEMALE PLUG TO BE FIXED ON RECEPTACLE TERMINAL BLOCKS OR MALE CONNECTORS	769-104
1-CONDUCTOR FEMALE PLUG TO BE FIXED ON RECEPTACLE TERMINAL BLOCKS OR MALE CONNECTORS	769-105
1-CONDUCTOR FEMALE PLUG TO BE FIXED ON RECEPTACLE TERMINAL BLOCKS OR MALE CONNECTORS	769-106
1-CONDUCTOR FEMALE PLUG TO BE FIXED ON RECEPTACLE TERMINAL BLOCKS OR MALE CONNECTORS	769-107
1-CONDUCTOR FEMALE PLUG TO BE FIXED ON RECEPTACLE TERMINAL BLOCKS OR MALE CONNECTORS	769-108
1-CONDUCTOR FEMALE PLUG TO BE FIXED ON RECEPTACLE TERMINAL BLOCKS OR MALE CONNECTORS	769-109
1-CONDUCTOR FEMALE PLUG TO BE FIXED ON RECEPTACLE TERMINAL BLOCKS OR MALE CONNECTORS	769-110
1-CONDUCTOR FEMALE PLUG TO BE FIXED ON RECEPTACLE TERMINAL BLOCKS OR MALE CONNECTORS	769-111
1-CONDUCTOR FEMALE PLUG TO BE FIXED ON RECEPTACLE TERMINAL BLOCKS OR MALE CONNECTORS	769-112
1-CONDUCTOR FEMALE PLUG TO BE FIXED ON RECEPTACLE TERMINAL BLOCKS OR MALE CONNECTORS	769-113
1-CONDUCTOR FEMALE PLUG TO BE FIXED ON RECEPTACLE TERMINAL BLOCKS OR MALE CONNECTORS	769-114
1-CONDUCTOR FEMALE PLUG TO BE FIXED ON RECEPTACLE TERMINAL BLOCKS OR MALE CONNECTORS	769-115
2-CONDUCTOR FEMALE PLUG TO BE FIXED ON RECEPTACLE TERMINAL BLOCKS OR MALE CONNECTORS	769-121
2-CONDUCTOR FEMALE PLUG TO BE FIXED ON RECEPTACLE TERMINAL BLOCKS OR MALE CONNECTORS	769-122
2-CONDUCTOR FEMALE PLUG TO BE FIXED ON RECEPTACLE TERMINAL BLOCKS OR MALE CONNECTORS	769-123
2-CONDUCTOR FEMALE PLUG TO BE FIXED ON RECEPTACLE TERMINAL BLOCKS OR MALE CONNECTORS	769-124
2-CONDUCTOR FEMALE PLUG TO BE FIXED ON RECEPTACLE TERMINAL BLOCKS OR MALE CONNECTORS	769-125
2-CONDUCTOR FEMALE PLUG TO BE FIXED ON RECEPTACLE TERMINAL BLOCKS OR MALE CONNECTORS	769-126

Data sheet

769-606/001-000

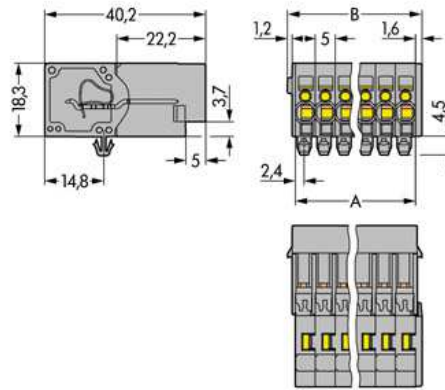
**MALE CONNECTORS WITH CAGE CLAMP CONNECTION AND SNAP-IN MOUNTING FEET
PIN SPACING 5 MM / 0.197 IN WITH MOUNTING FEET 209-137 ON TS 35 FOR SHEET THICKNESS 0.6-1.2 MM**

2-CONDUCTOR FEMALE PLUG TO BE FIXED ON RECEPTACLE TERMINAL BLOCKS OR MALE CONNECTORS	769-127
2-CONDUCTOR FEMALE PLUG TO BE FIXED ON RECEPTACLE TERMINAL BLOCKS OR MALE CONNECTORS	769-128
2-CONDUCTOR FEMALE PLUG TO BE FIXED ON RECEPTACLE TERMINAL BLOCKS OR MALE CONNECTORS	769-129
2-CONDUCTOR FEMALE PLUG TO BE FIXED ON RECEPTACLE TERMINAL BLOCKS OR MALE CONNECTORS	769-130
2-CONDUCTOR FEMALE PLUG TO BE FIXED ON RECEPTACLE TERMINAL BLOCKS OR MALE CONNECTORS	769-131
2-CONDUCTOR FEMALE PLUG TO BE FIXED ON RECEPTACLE TERMINAL BLOCKS OR MALE CONNECTORS	769-132
2-CONDUCTOR FEMALE PLUG TO BE FIXED ON RECEPTACLE TERMINAL BLOCKS OR MALE CONNECTORS	769-133
2-CONDUCTOR FEMALE PLUG TO BE FIXED ON RECEPTACLE TERMINAL BLOCKS OR MALE CONNECTORS	769-134
2-CONDUCTOR FEMALE PLUG TO BE FIXED ON RECEPTACLE TERMINAL BLOCKS OR MALE CONNECTORS	769-135
CODING PIN FOR CODING OF FEMALE PLUGS	769-435
Individual wire jumpers	individual jumper
MINIATURE WSB QUICK MARKING SYSTEM PLAIN	248-501
MINIATURE WSB QUICK MARKING SYSTEM PLAIN	248-501/000-002
MINIATURE WSB QUICK MARKING SYSTEM PLAIN	248-501/000-005
MINIATURE WSB QUICK MARKING SYSTEM PLAIN	248-501/000-006
MINIATURE WSB QUICK MARKING SYSTEM PLAIN	248-501/000-007
MINIATURE WSB QUICK MARKING SYSTEM PLAIN	248-501/000-012
MINIATURE WSB QUICK MARKING SYSTEM PLAIN	248-501/000-017
MINIATURE WSB QUICK MARKING SYSTEM PLAIN	248-501/000-023
MINIATURE WSB QUICK MARKING SYSTEM PLAIN	248-501/000-024
Open individual wire jumpers ends	individual jumper open end
OPERATING LEVER LOOSE	769-434
SNAP-ON TYPE RELIEF HOUSING CONSISTING OF: STRAIN RELIEF SUPPORT/ HOUSING	769-1606
STRAIN RELIEF PLATE SNAP-ON TYPE FOR 1-CONDUCTOR FEMALE PLUGS	769-410
STRAIN RELIEF PLATE SNAP-ON TYPE FOR 1-CONDUCTOR FEMALE PLUGS	769-413

Data sheet

769-606/001-000

MALE CONNECTORS WITH CAGE CLAMP CONNECTION AND SNAP-IN MOUNTING FEET
PIN SPACING 5 MM / 0.197 IN WITH MOUNTING FEET 209-137 ON TS 35 FOR SHEET THICKNESS 0.6-1.2 MM



Data sheet**769-606/001-000****MALE CONNECTORS WITH CAGE CLAMP CONNECTION AND SNAP-IN
MOUNTING FEET
PIN SPACING 5 MM / 0.197 IN WITH MOUNTING FEET 209-137 ON TS 35 FOR
SHEET THICKNESS 0.6-1.2 MM**

A = No.of poles x pin spacing

B = A + 3,6 mm