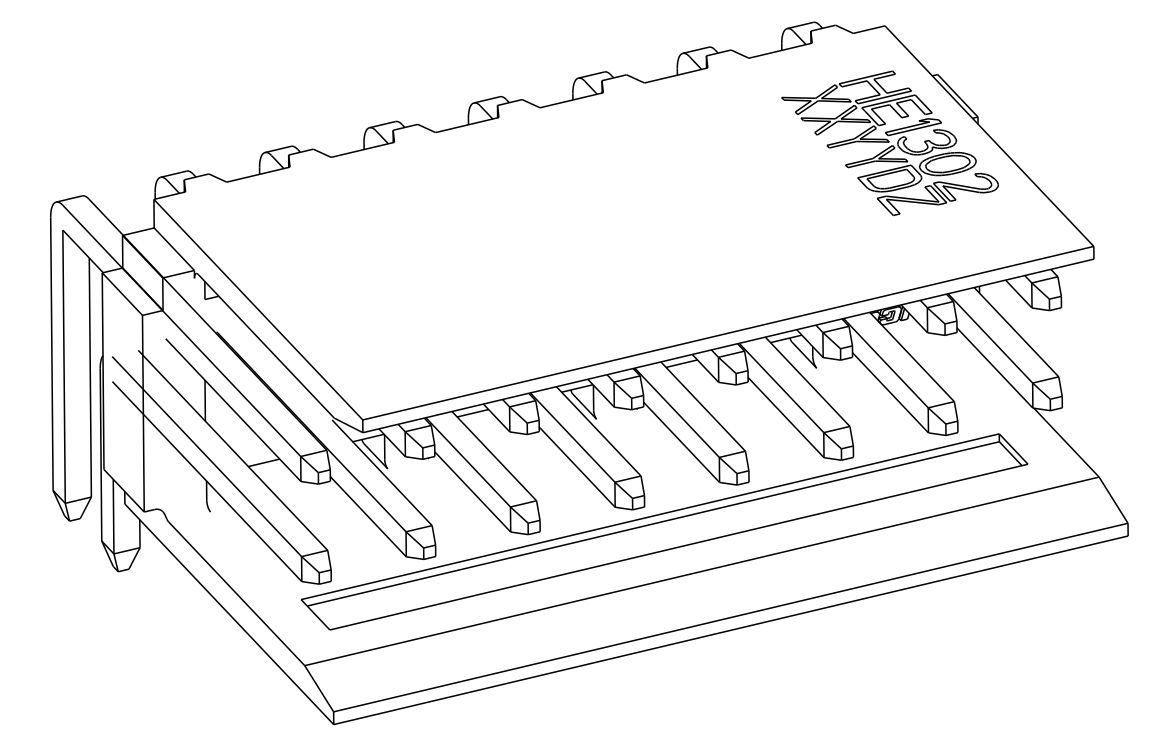
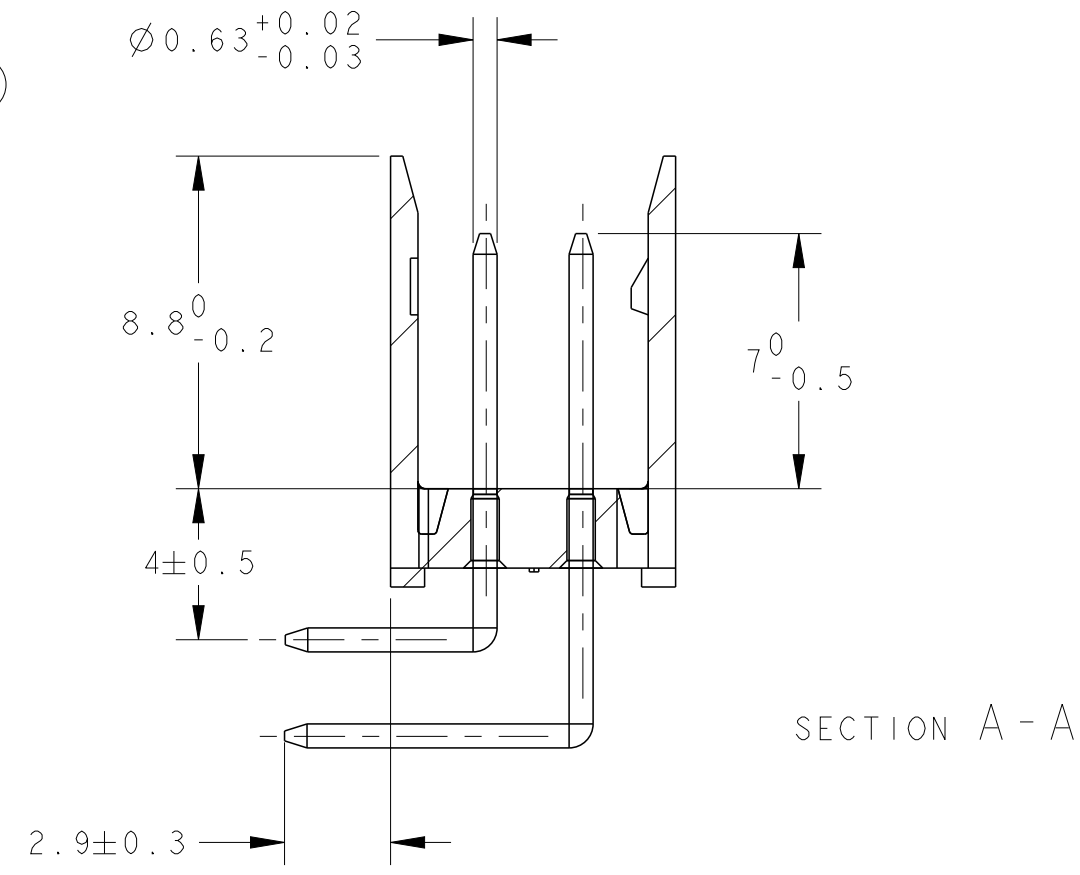
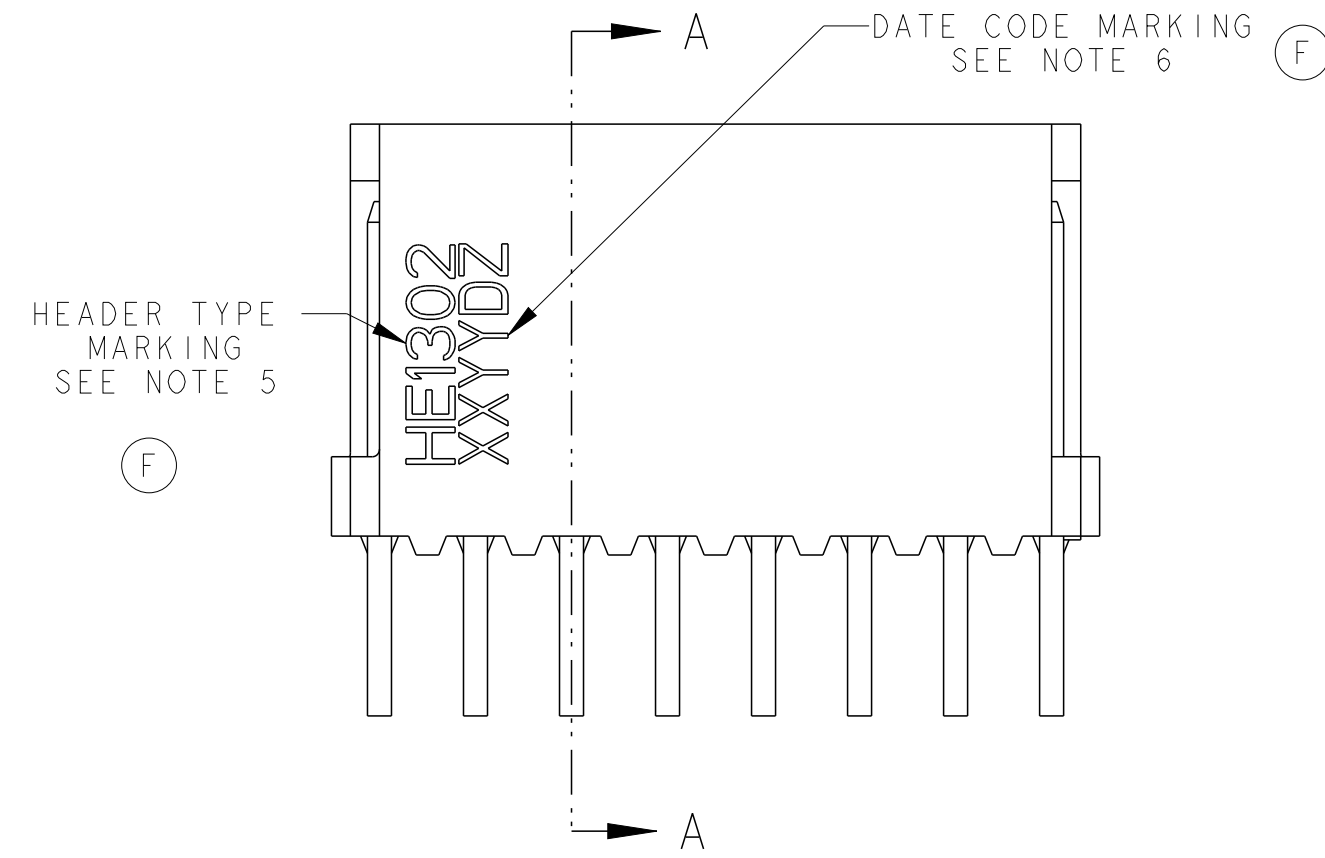
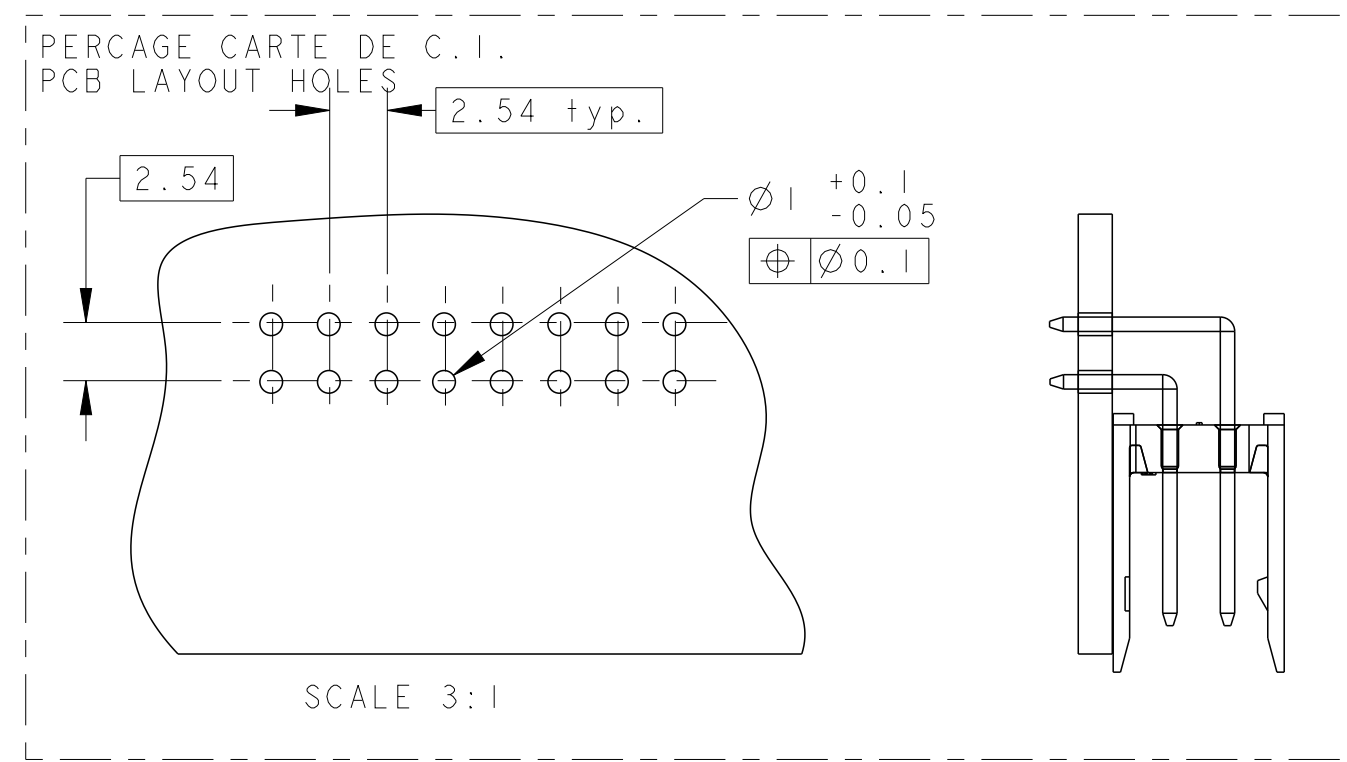
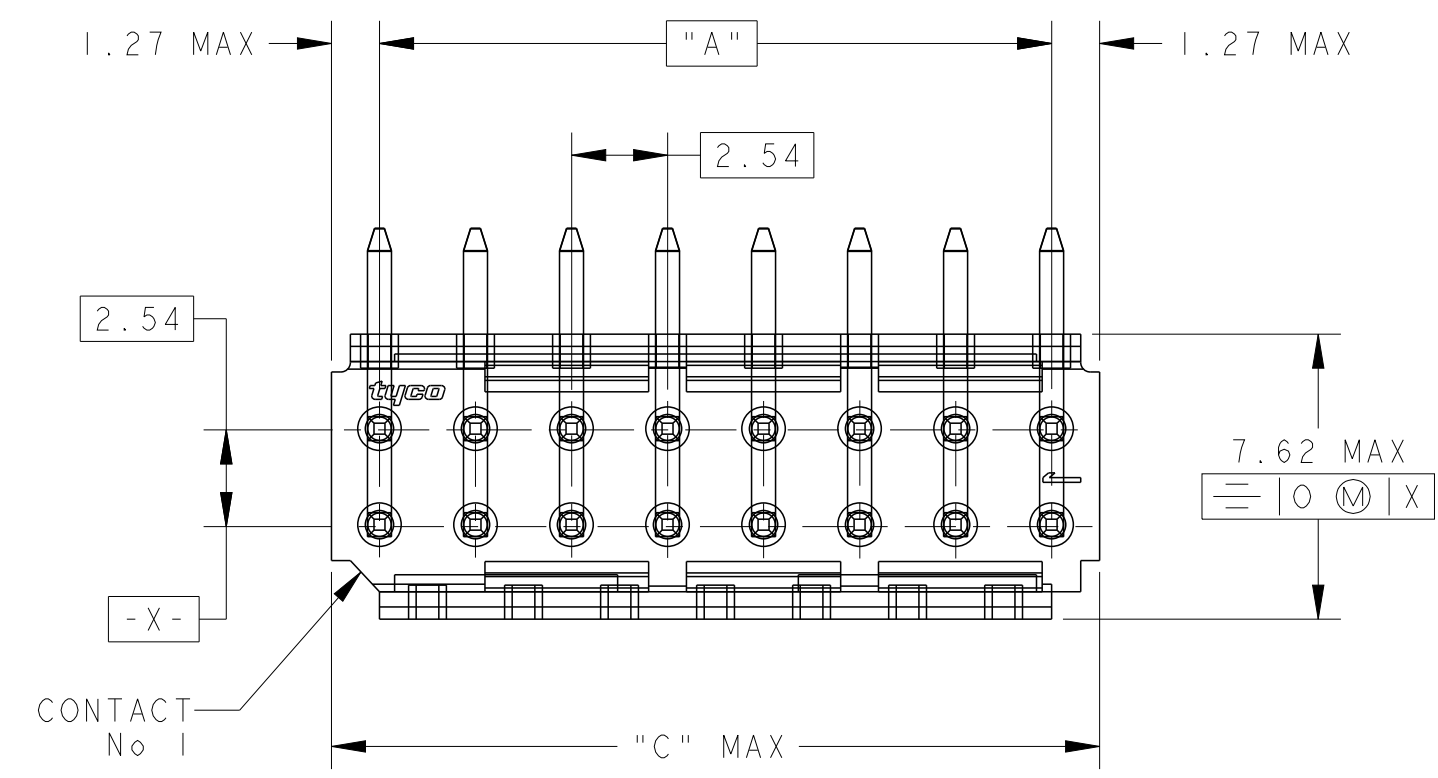


THIS DRAWING IS UNPUBLISHED.
 DIFFUSION RESTREINTE
 © COPYRIGHT 20 BY -
 RELEASED FOR PUBLICATION
 LIBRE A LA DIFFUSION
 20
 ALL RIGHTS RESERVED.
 TOUS DROITS RESERVES

REVISIONS					
P	LTR	DESCRIPTION MODIFICATIONS	DATE	DWN DESS.	APVD APP.
	F1	DRAWING NOTES CORRECTED	01AUG2016	KJK	PS



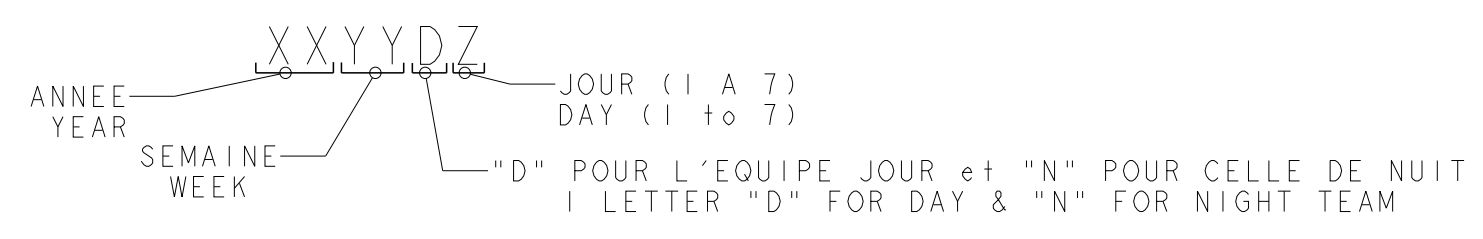
SCALE 6:1



SCALE 3:1

OBSOLETE	50.80	48.26	2x 20	2-281743-0
	45.72	43.18	2x 18	1-281743-8 *
OBSOLETE	43.18	40.64	2x 17	1-281743-7
	38.10	35.56	2x 15	1-281743-5 *
OBSOLETE	33.02	30.48	2x 13	1-281743-3
	30.48	27.94	2x 12	1-281743-2 *
	25.40	22.86	2x 10	1-281743-0 *
	20.32	17.78	2x 8	0-281743-8 *
	15.24	12.70	2x 6	0-281743-6 *
	12.70	10.16	2x 5	0-281743-5 *
	10.16	7.62	2x 4	0-281743-4 *
	7.62	5.08	2x 3	0-281743-3 *
	5.08	2.54	2x 2	0-281743-2
	C	A	Nb DE POS	PART NUMBER
	DIMENSIONS			

- NOTES:
1. THESE HEADERS ARE DESIGNED TO BE MATED WITH "HEI302" RECEPTACLES DOUBLE ROW
 2. THE PART NUMBERS FOLLOWED BY * ARE COVERED BY THE INTERNATIONAL STANDARD IEC 603-8
 3. CONTACTS PLATING: MATING AREA SELECTIVE GOLD MIN 0.4µm OVER MIN 1.27µm NICKEL
SOLDER AREA MIN 2.5µm TIN OVER MIN 1.27µm NICKEL
 4. PLASTIC MATERIAL: HIGH TEMPERATURE THERMOPLASTIC, UL-94V0, BLUE COLOR
CONTACT MATERIAL: PHOSPHOR BRONZE
 5. HEADER TYPE MARKING (HEI302) WITH BLACK INK
 6. DATE CODE MARKING WITH BLACK INK



OBSOLETE PARTS: OBSOLETE CIS STREAMLINING PER D.RENAUD/D.SINISI

THIS DRAWING IS A CONTROLLED DOCUMENT.
 CE PLAN EST UN DOCUMENT CONTROLE PAR AMP INCORPORATED.
 IL EST SUSCEPTIBLE D'ETRE REVISE. CONTACTER LE SERVICE
 TECHNIQUE D'AMP DE FRANCE POUR OBTENIR LA DERNIERE REVISION.

DIMENSIONS: mm

TOLERANCES UNLESS OTHERWISE SPECIFIED: (SUIV NB DE DECIMALES)
 0 PLC/DEC: ±
 1 PLC/DEC: ±0.3
 2 PLC/DEC: ±
 3 PLC/DEC: ±
 4 PLC/DEC: ±
 ANGLES ±5°

MATERIAL/MATIERE: 4

FINISH/FINITION: 3

DWN/DESSINE: 22NOV2000
 C. COMBEDOUZON
 CHK/VERIFIE: 22NOV2000
 T. CORRIOLU
 APVD/APPROUVE: 22NOV2000
 Y. PETRONIN

PRODUCT SPEC: 108-15053

APPLICATION SPEC: -

WEIGHT: -
 MASSE APPROX.:

CUSTOMER DRAWING /PLAN CLIENT

UNIQUEMENT POUR REFERENCE

SCALE ECHELLE: 5:1

SHEET FEUILLE: OF DE: REV F1

STE TE Connectivity

NAME: HEADERS HEI3, DOUBLE ROW, RIGHT ANGLE

SIZE FORMAT: A2
 CAGE CODE: 0779
 DRAWING NO: C-281743

RESTRICTED TO RESERVE A