

**DISPLAY Elektronik GmbH**

# DATA SHEET

**LCD MODULE**

**DEM 800480T1 TMH-PW-N  
(C-TOUCH)**

*Product Specification*

*Version:0*

**21.03.2022**

# GENERAL SPECIFICATION

---

MODULE NO. :

**DEM 800480T1 TMH-PW-N**  
**(C-TOUCH)**

CUSTOMER

VERSION NO.	CHANGE DESCRIPTION	DATE
0	Original Version	21.03.2022

PREPARED BY: YK

DATE: 21.03.2022

APPROVED BY: WH

DATE: 21.03.2022

**CONTENTS**

**1. GENERAL SPECIFICATIONS..... 2**

**2. EXTERNAL DIMENSIONS ..... 4**

**3. BLOCK DIAGRAM ..... 6**

**4. PIN ASSIGNMENT ..... 7**

**5. OPTICAL CHARACTERISTICS ..... 9**

**6. ABSOLUTE MAXIMUM RATINGS ..... 12**

**7. ELECTRICAL CHARACTERISTICS ..... 12**

**8. TIMING CHARACTERISTICS..... 13**

**9. RELIABILITY TEST ..... 14**

**10. LCD MODULES HANDLING PRECAUTIONS..... 15**

**11. OTHERS ..... 15**

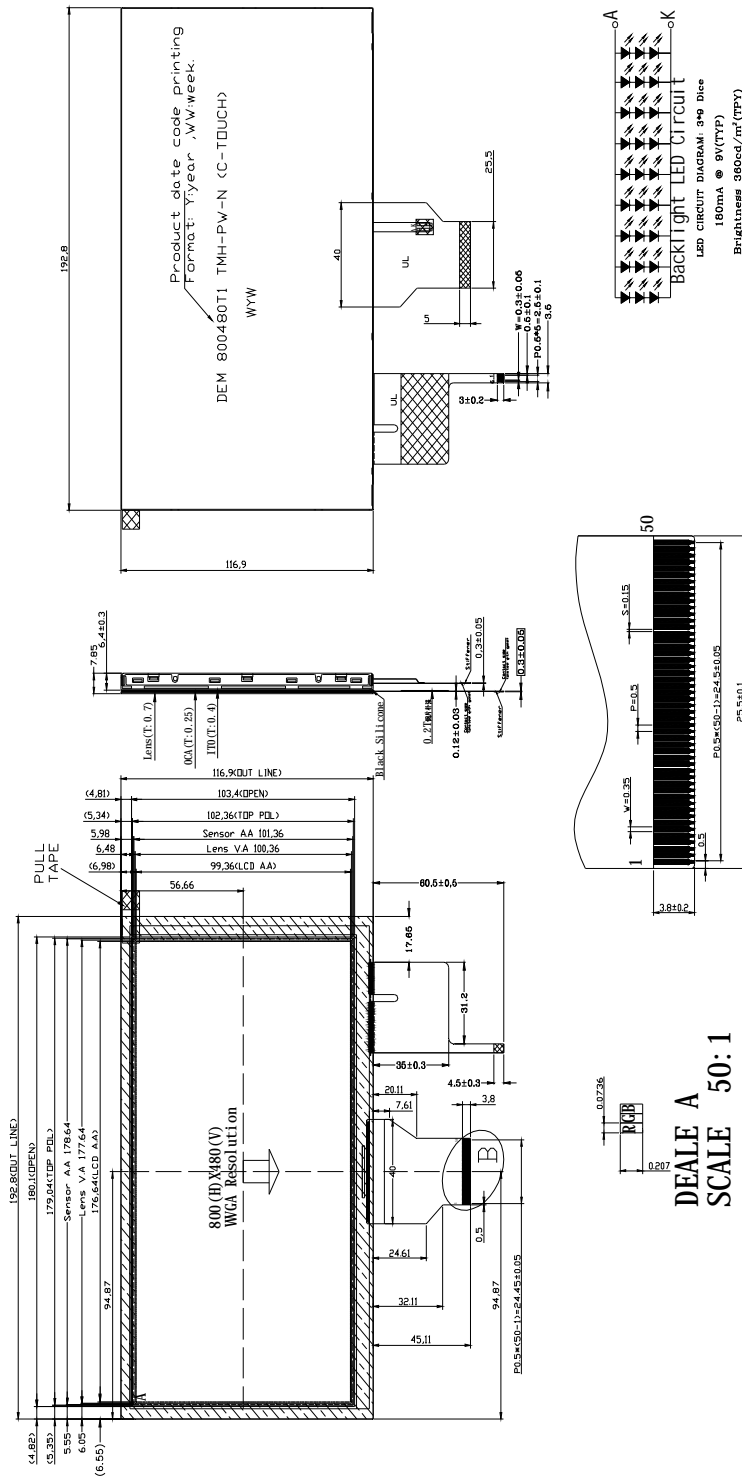
**1. GENERAL SPECIFICATIONS**

<b>ITEM</b>	<b>STANDARD VALUE</b>	<b>UNIT</b>
LCD SIZE	8.0' TFT	inch
LCD TYPE	TFT/TN/ NORMALLY WHITE/TRANSMISSIVE	
MODULE SIZE	192.80 x 116.90 x 7.85	mm
ACTIVE AREA	176.64 x 99.36	mm
PIXEL PITCH (W*H)	0.2208 x 0.2070	
NUMBER OF PIXELS	800 x 480	
DRIVER IC	NT52001B+NT39419B	
INTERFACE TYPE	RGB	
RECOMMEND VIEWING DIRECTION	12	O'clock
GRAY SCALE INVERSION DIRECTION	6	O'clock
COLORS	16.7 MILLION	
BACKLIGHT TYPE	27-DIES WHITE LED	
TOUCH PANEL TYPE	CTP	

**TOUCH PANEL:**

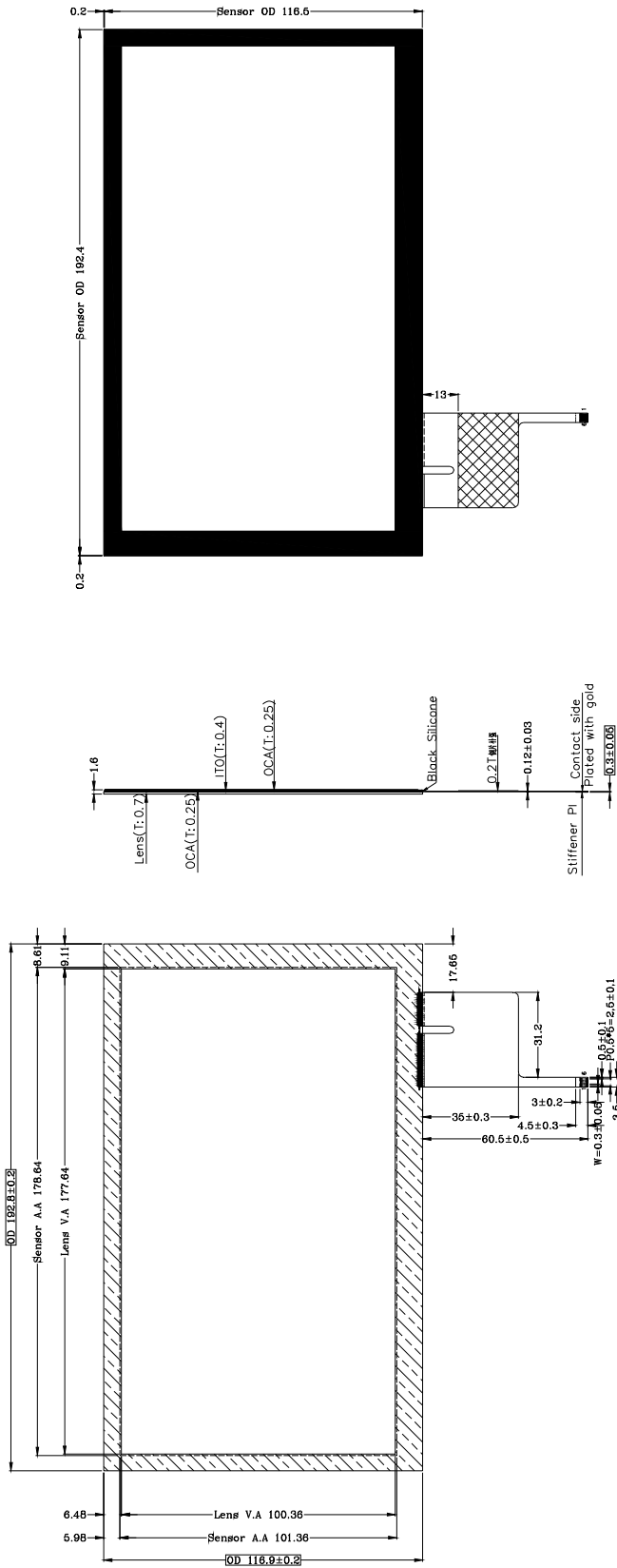
<b>ITEM</b>	<b>CONTENS</b>
Type	Capacitive Multi-touch
Module size	192.80 (L)mm*116.90(W)mm*1.60 (T) mm
View area	177.64(W)mm*100.36(H)mm
Interface	I2C
Operation Voltage	2.8V~3.3V
ITO Glass thickness	0.4mm
Operation humidity	20~90%RH
Storage humidity	20~90%RH
Driver IC	GT9271
Resolution	800x480
Input force	$\leq 10g$
Input method	Finger or exclusive pen
Transparency	80%
Surface hardness	>6H
Hitting life	>35,000,000 times
Insulation	20M ohm or over(Dc 25V)
ESD(Human body model)	$\pm 2000$ V

2. EXTERNAL DIMENSIONS



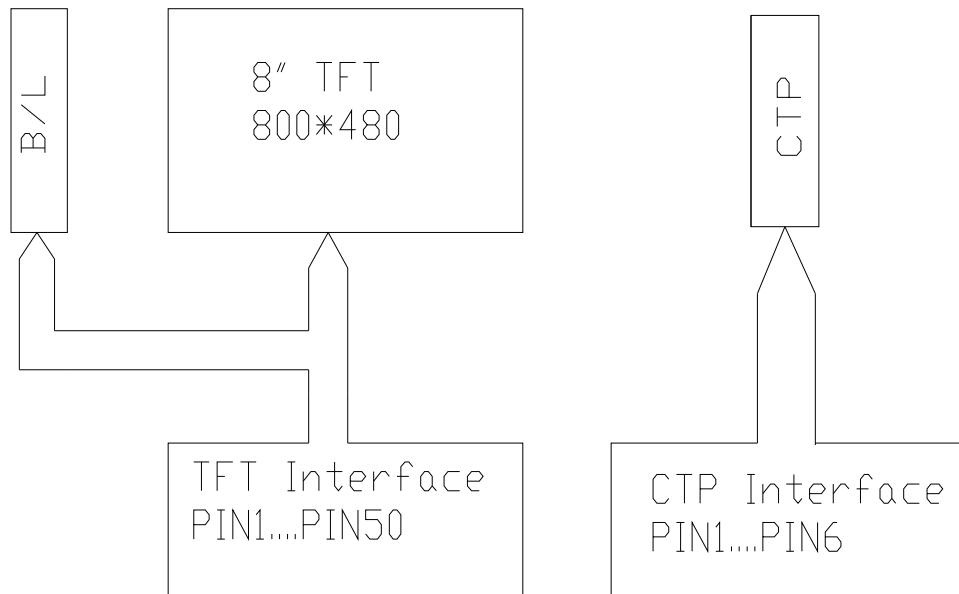
Remarks:  
1.Unmarked tolerance is ±0.5  
2.FRAME:SPT  
3.All materials comply with RoHS

TOUCH PANEL:



- Remarks:
1. Unmarked tolerance is  $\pm 0.2$
  2. All materials comply with RoHs
  3.  ...critical dimension.

**3. BLOCK DIAGRAM**





**4. PIN ASSIGNMENT**

<b>PIN NO.</b>	<b>SYMBOL</b>	<b>DESCRIPTION</b>
1	A	LED Anode
2	A	LED Anode
3	K	LED Cathode
4	K	Power supply
5	GND	Power ground
6	VCOM	Common Voltage
7	VDD	Power supply
8	MODE	DE / SYNC mode select H : DE mode. L : HSD/VSD mode
9	DE	Data input enable
10	VS	Vertical sync signal; negative polarity
11	HS	Horizontal sync signal; negative polarity
12	B7	Blue data
13	B6	Blue data
14	B5	Blue data
15	B4	Blue data
16	B3	Blue data
17	B2	Blue data
18	B1	Blue data
19	B0	Blue data
20	G7	Green data
21	G6	Green data
22	G5	Green data
23	G4	Green data
24	G3	Green data
25	G2	Green data
26	G1	Green data
27	G0	Green data
28	R7	Red data
29	R6	Red data
30	R5	Red data
31	R4	Red data
32	R3	Red data
33	R2	Red data

34	R1	Red data
35	R0	Red data
36	GND	Power ground
37	DCLK	Clock for Input Data
38	GND	Power ground
39	L/R	Source Right or Left sequence control. Normally pulled high SHLR = " L " , shift left: last data = S1 ← S2 ← S3..... ← S1200 = first data. SHLR = " H " , shift right: first data = S1 → S → S3..... → S1200 = last data.
40	U/D	Gate Up or Down scan control. Normally pulled low. UPDN = "L", STV2 output vertical start pulse and UD pin output logical "0" to Gate driver. UPDN = "H", STV1 output vertical start pulse and UD pin output logical "1" to Gate driver.
41	VGH	Gate ON Voltage
42	VGL	Gate OFF Voltage
43	AVDD	Power for Analog Circuit
44	RESET	Global reset pin
45	NC	Not connection
46	VCOM	Common Voltage
47	DITHB	Dithering function enable control. Normally pulled high DITHB = "1", Disable internal dithering function DITHB = "0", Enable internal dithering function
48	GND	Power ground
49	NC	Not connection
50	NC	Not connection

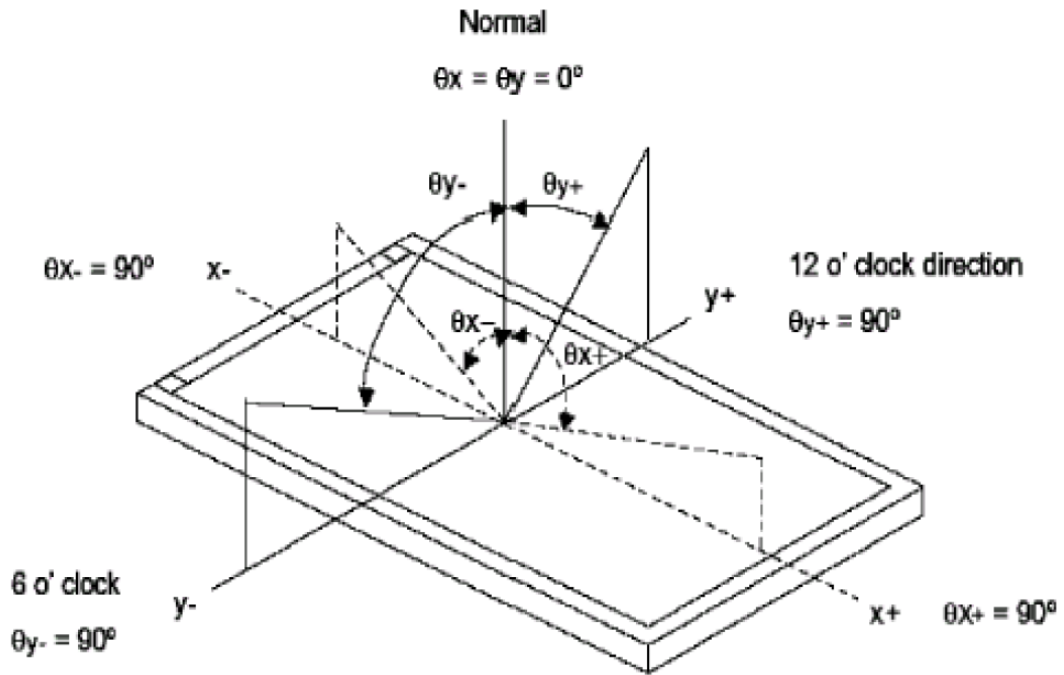
**TOUCH PANEL:**

Pin No.	Symbol	Description
1	GND	Negative supply
2	RST	Global reset input, low active
3	SCL	I2C Serial clock input/output
4	SDA	I2C Serial data input/output
5	INT	External Interrupt
6	VCC	Positive power supply

**5. OPTICAL CHARACTERISTICS**

ITEM	SYMBOL	CONDITIONS	SPECIFICATIONS			UNIT	NOTE
			MIN	TYP.	MAX		
Luminance	L			360	-	Cd/m <sup>2</sup>	
Contrast ratio	CR	$\theta = 0^\circ$		500			
Response time	Rising	T <sub>R</sub>	25°C	10	20	ms	
	Falling	T <sub>F</sub>		15	30		
CIE COLOUR COORDINATE	RED	XR	VIEWING NORMAL ANGLE	0.574	0.589	0.604	
		YR		0.317	0.332	0.347	
	GREEN	XG		0.128	0.143	0.158	
		YG		0.116	0.131	0.146	
	BLUE	XB		0.293	0.308	0.323	
		YB		0.543	0.558	0.573	
	WHITE	XW		0.296	0.311	0.326	
		YW		0.328	0.343	0.358	
VIEWING ANGLE	Hor.	$\theta_{x+}$	CR ≥ 10	60	70	Degree	
		$\theta_{x-}$		60	70		
	Ver.	$\theta_{y+}$		40	50		
		$\theta_{y-}$		60	70		

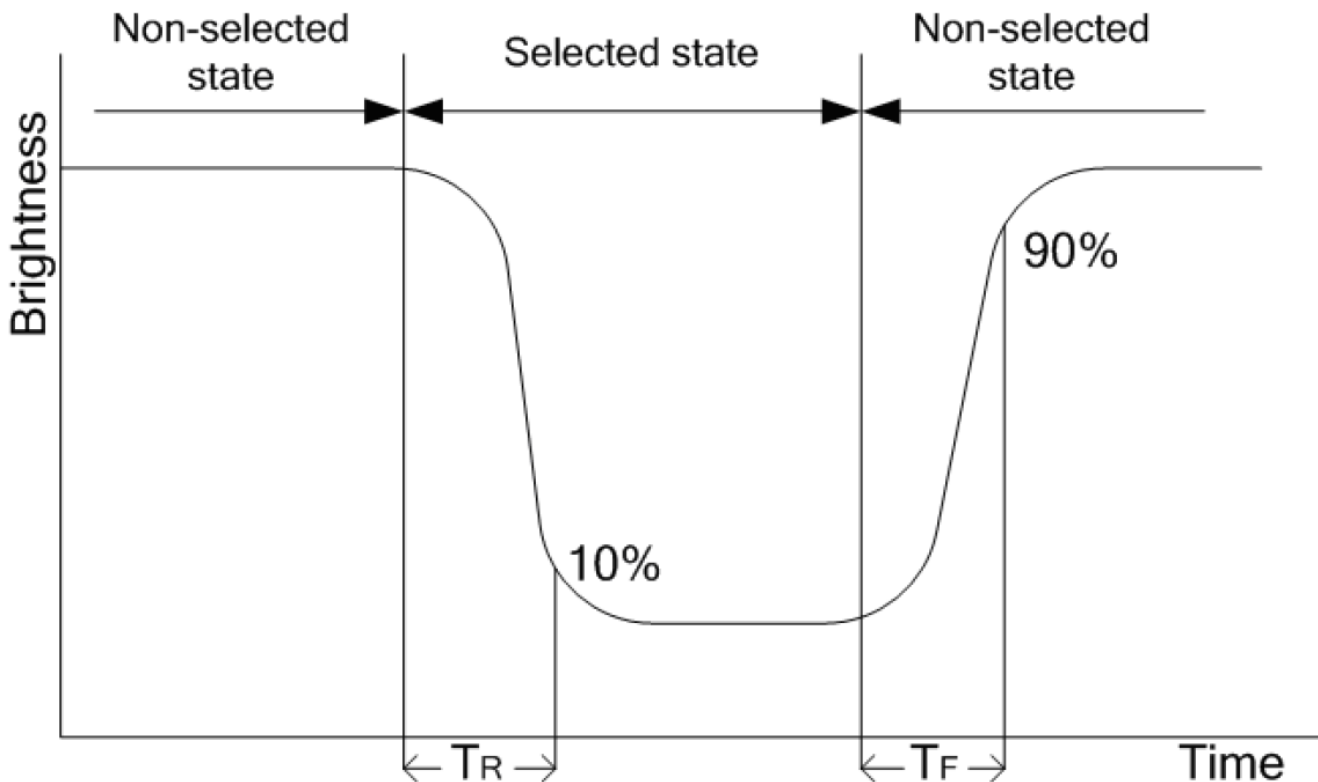
Note 1 : Definition of Viewing Angle  $\theta_x$  and  $\theta_y$  :



Note 2: Definition of contrast ratio CR:

$$CR = \frac{\text{Brightness of non-selected dots (white)}}{\text{Brightness of selected dots (black)}}$$

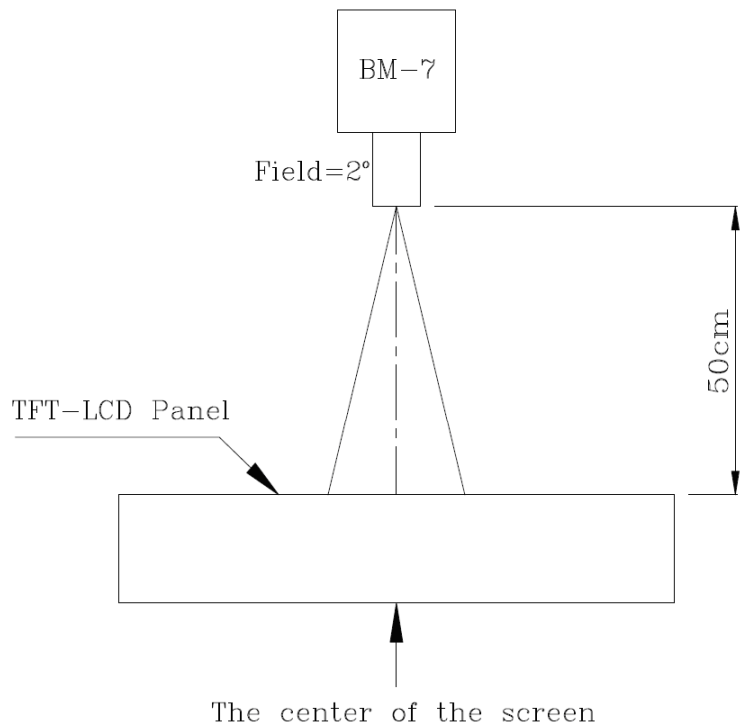
Note 3: Definition of response time ( $T_R$ ,  $T_F$ )



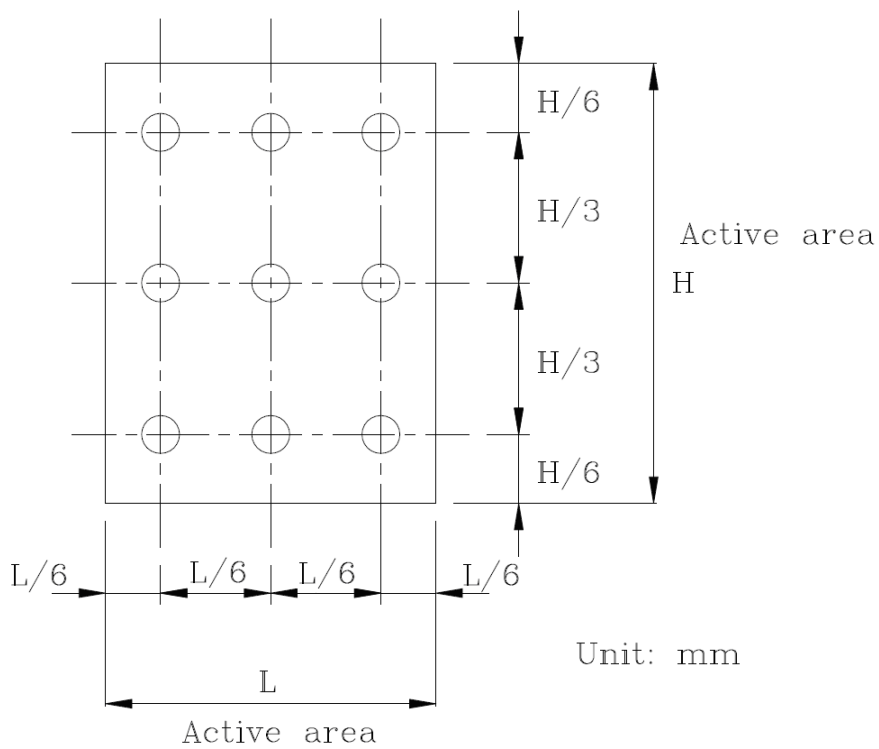
**Note 4: Definition of Luminance**

**①The Brightness Test Equipment Setup**

Field=2° (As measuring “black” image, field=2° is the best testing condition)



**②The Brightness Test Point Setup**



**6. ABSOLUTE MAXIMUM RATINGS**

PARAMETER	SYMBOL	MIN	MAX	UNIT
Power Supply Voltage	VDD	-0.5	5.0	V
Operating Temperature	Top	-20	+70	°C
Storage Temperature	Tst	-30	+80	°C

**7. ELECTRICAL CHARACTERISTICS****7.1 BLACKLIGHT DRIVING CONDITIONS**

ITEM	SYMBOL	SPECIFICATIONS			UNIT	REMARK
		MIN	TYP.	MAX		
Supply Voltage	Vf		9		V	
Supply Current	IL		180		mA	
Power Consumption	P		1.62		W	
LED Lifetime			50,000		H <sub>r</sub>	

**7.2 ELECTRICAL CHARACTERISTICS**

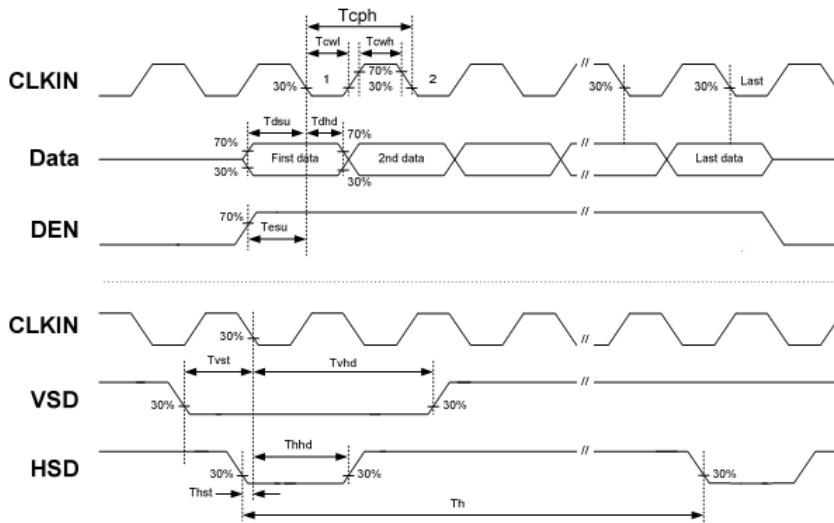
ITEM	SYMBOL	MIN	TYP.	MAX	UNIT
Power Supply	VDD	3.0	3.3	3.6	V
	AVDD	10.3	10.4	10.5	V
	VGH	15.3	16	16.7	V
	VGL	-7.7	-7	-6.3	V
	VCOM	4.2	4.4	4.6	V
Input Voltage	Vil	0	-	0.3VDD	V
	Vih	0.7VDD	-	VDD	V

8. TIMING CHARACTERISTICS

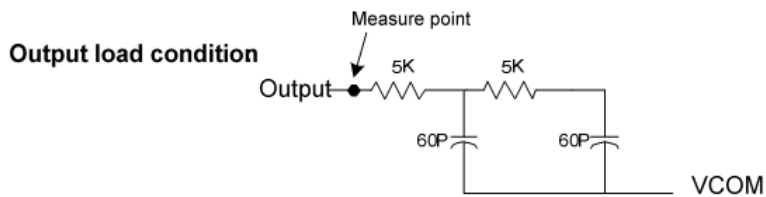
8.1 PARALLEL RGB MODE TIMING DIAGRAM

Timing Diagram

Input Clock and Data Timing Diagram



Source Output



Parameter	Symbol	Min.	Typ.	Max.	Unit	Conditions
CLKIN Frequency	Fclk	-	33.3	50	MHz	VDD = 3.0V ~3.6V
CLKIN Cycle Time	Tclk	20	30	-	ns	
CLKIN Pulse Duty	Tcwh	40	50	60	%	Tclk=Tcwh+cwl
	Tcwl	40	50	60	%	
VSD to STV	Tstv	-	24	-	H	HV mode
DEN to STV	Tstv	-	4	-	CLKIN	DE mode
STV pulse width	Twstv	-	0.5	-	H	
STV to CKV	Tckv	-	18	-	CLKIN	
STV to OEV	Toev	-	2	-	CLKIN	
CKV Pulse Width	Twckv	-	66	-	CLKIN	
OEV Pulse Width	Twoev	-	50	-	CLKIN	

**9. RELIABILITY TEST**

<b>NO.</b>	<b>TEST ITEM</b>	<b>CONDITIONS</b>	
1	HIGH TEMPERATURE STORAGE	TA=80°C	240H
2	LOW TEMPERATURE STORAGE	TA=-30°C	240H
3	HIGH TEMPERATURE OPERATION	TA=70°C	240H
4	LOW TEMPERATURE OPERATION	TA=-20°C	240H
5	HIGH TEMPERATURE AND HIGH HUMIDITY OPERATION	+60°C, 90%RH	240H
6	THERMAL SHOCK	-30°C → +80°C, 0.5H; 100CYCLES; 1H/ CYCLES	



**10. LCD MODULES HANDLING PRECAUTIONS**

- n** The display panel is made of glass. Do not subject it to a mechanical shock by dropping it from a high place, etc.
- n** If the display panel is damaged and the liquid crystal substance inside it leaks out, do not get any in your mouth. If the substance come into contact with your skin or clothes promptly wash it off using soap and water.
- n** Do not apply excessive force to the display surface or the adjoining areas since this may cause the color tone to vary.
- n** The polarizer covering the display surface of the LCD module is soft and easily scratched. Handle this polarize carefully.
- n** To prevent destruction of the elements by static electricity, be careful to maintain an optimum work environment.
  - Be sure to ground the body when handling the LCD module.
  - Tools required for assembly, such as soldering irons, must be properly grounded.
  - To reduce the amount of static electricity generated, do not conduct assembly and other work under dry conditions.
  - The LCD module is coated with a film to protect the display surface. Exercise care when peeling off this protective film since static electricity may be generated.
- n** Storage precautions  
When storing the LCD modules, avoid exposure to direct sunlight or to the light of fluorescent lamps. Keep the modules in bags designed to prevent static electricity charging under low temperature / normal humidity conditions (avoid high temperature / high humidity and low temperatures below 0°C).Whenever possible, the LCD modules should be stored in the same conditions in which they were shipped from our company.

**11. OTHERS**

- n** Liquid crystals solidify at low temperature (below the storage temperature range) leading to defective orientation of liquid crystal or the generation of air bubbles (black or white). Air bubbles may also be generated if the module is subjected to a strong shock at a low temperature.
- n** If the LCD modules have been operating for a long time showing the same display patterns may remain on the screen as ghost images and a slight contrast irregularity may also appear. Abnormal operating status can be resumed to be normal condition by suspending use for some time. It should be noted that this phenomena does not adversely affect performance reliability.
- n** To minimize the performance degradation of the LCD modules resulting from caused by static electricity, etc. exercise care to avoid holding the following sections when handling the modules:
  - Exposed area of the printed circuit board
  - Terminal electrode sections.