

4

3

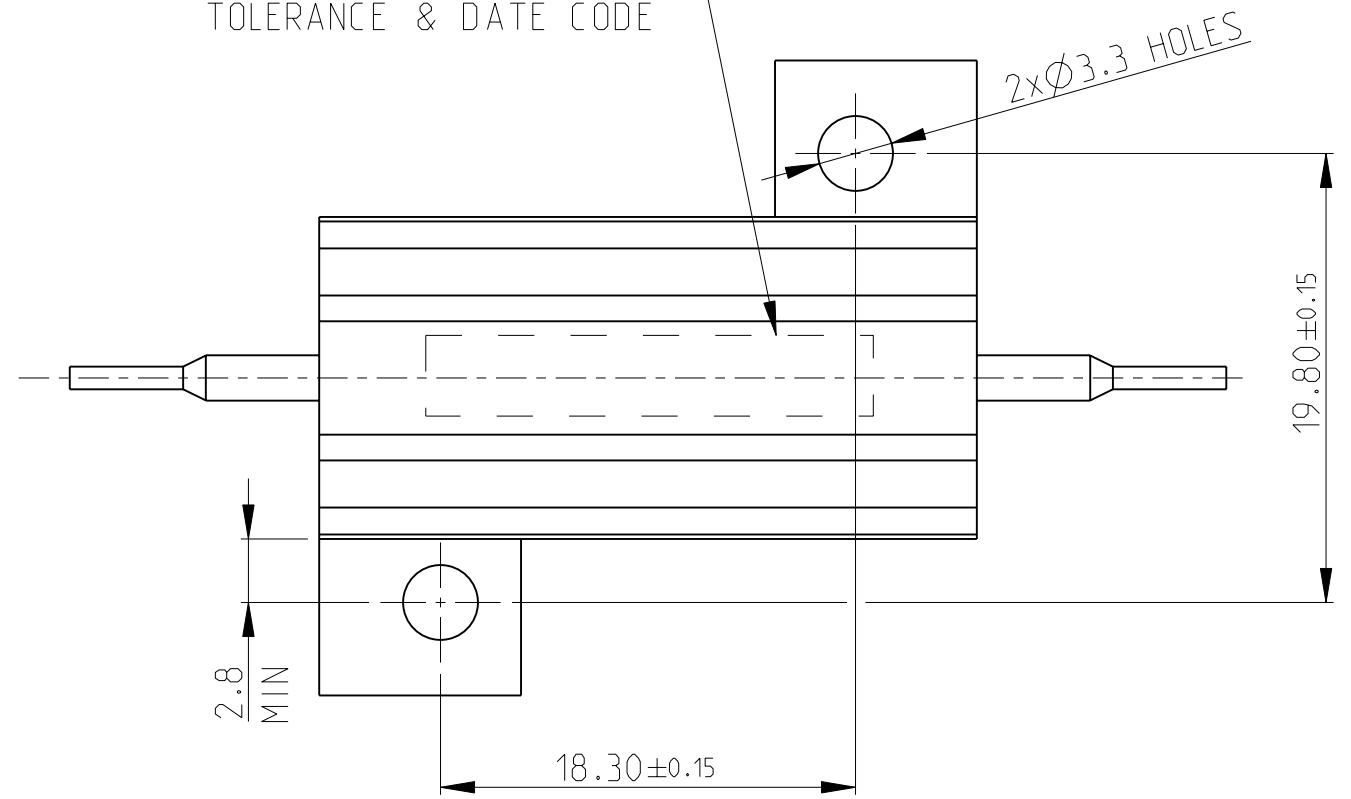
2

1

THIS DRAWING IS UNPUBLISHED. RELEASED FOR PUBLICATION SEP. 2005
 © COPYRIGHT 2005 ALL RIGHTS RESERVED.

LOC	DIST	REVISIONS					
		P	LTR	DESCRIPTION	DATE	DWN	APVD
E	B		C2	REVISED PER ECO-11-005150	29MAR2011	RK	HMR

TE LOGO, TE CONNECTIVITY PN, VALUE TOLERANCE & DATE CODE

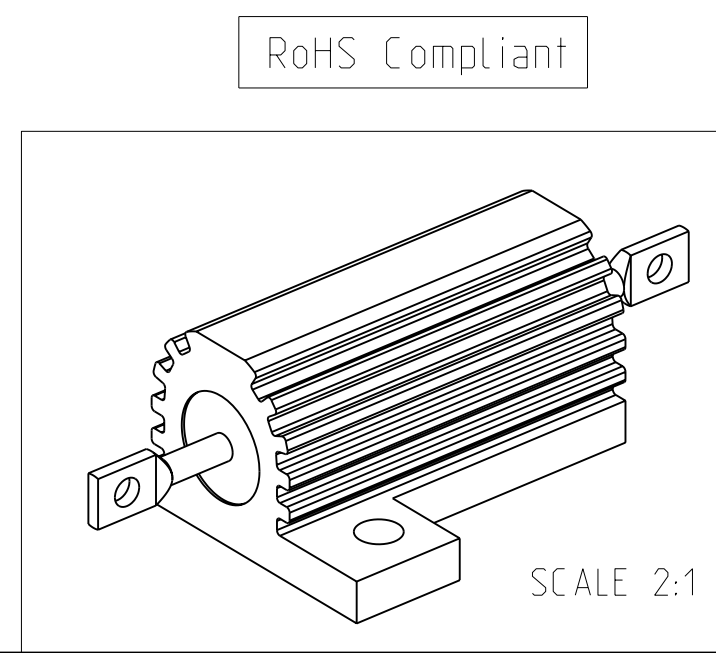
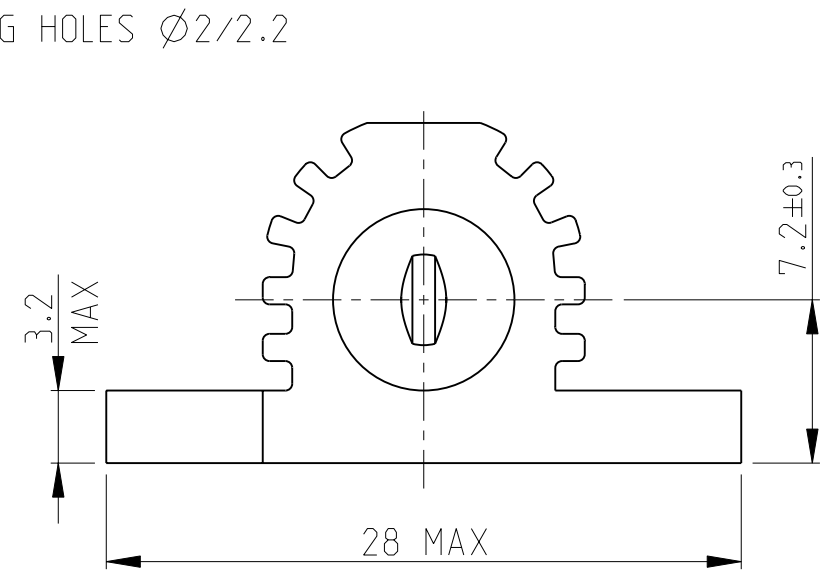
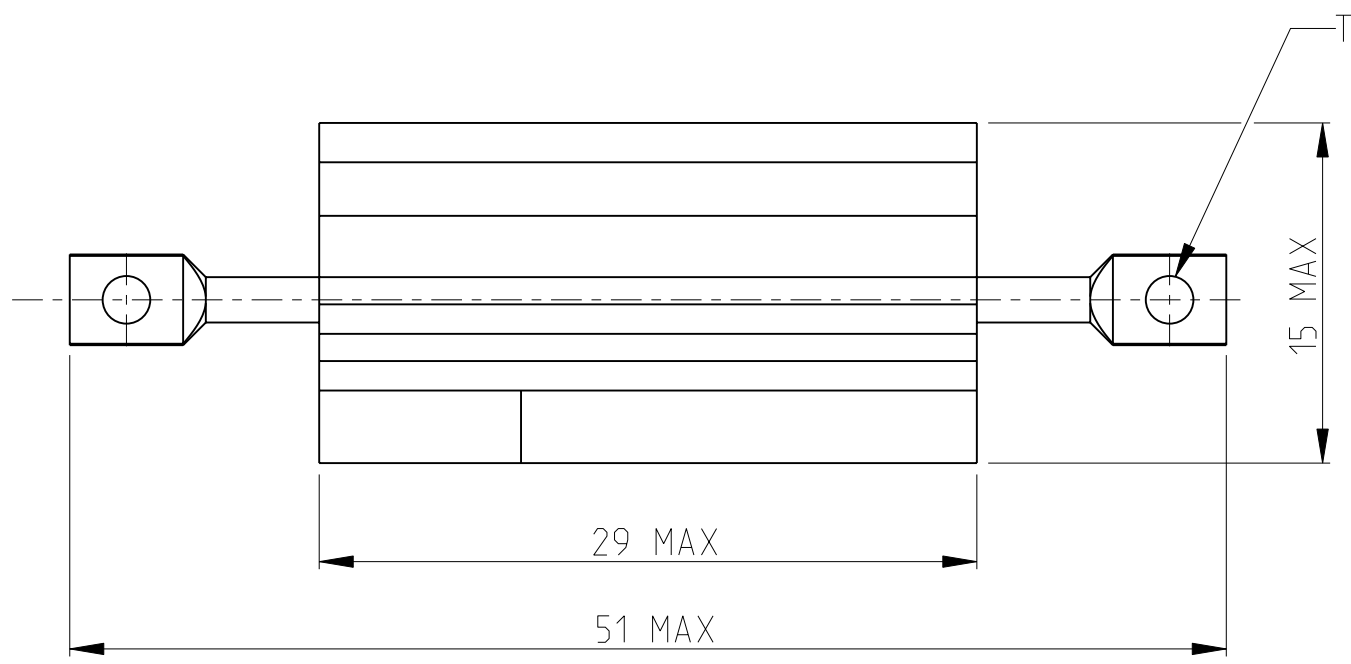



1 FOR FURTHER INFORMATION SEE DATA SHEET FOR HS SERIES-ALUMINIUM HOUSED RESISTORS

2 FOR A SPECIFIC PN FOR A RESISTANCE VALUE AND TOLERANCE, PLEASE REFER TO DMF

3 TECHNICAL SPECIFICATION

DISSIPATION AT 25°C : 25 WATTS MOUNTED ON STANDARD HEATSINK
 BS OHMIC RANGE : R051 TO 27K
 STABILITY : ΔR < =1% PER 1000hrs
 ISOLATION VOLTAGE : 2500V DC/AC pk
 MAX WORKING VOLTAGE : 500V DC/AC rms
 TEMP COEFFICIENT : > 1R0 50ppm
 > 100R 25ppm
 CLIMATIC CATEGORY : 55/200/56



THIS DRAWING IS A CONTROLLED DOCUMENT.		DWN	29.SEP.05	 TE Connectivity	
		CHK	30.SEP.05		
		APVD	30.SEP.05	NAME	
		J CATCHPOLE		HSA25 METAL CLAD RESISTOR	
		J CATCHPOLE		PRODUCT SPEC	
		-		APPLICATION SPEC	
		-		WEIGHT	
		-		RESTRICTED TO	
		-		SIZE	CAGE CODE
		-		A3	00779
		-		DRAWING NO	©=1625971
		-		SCALE	
		-		3:1	
		-		SHEET	
		-		1 OF 1	
		-		REV	
		-		C2	