

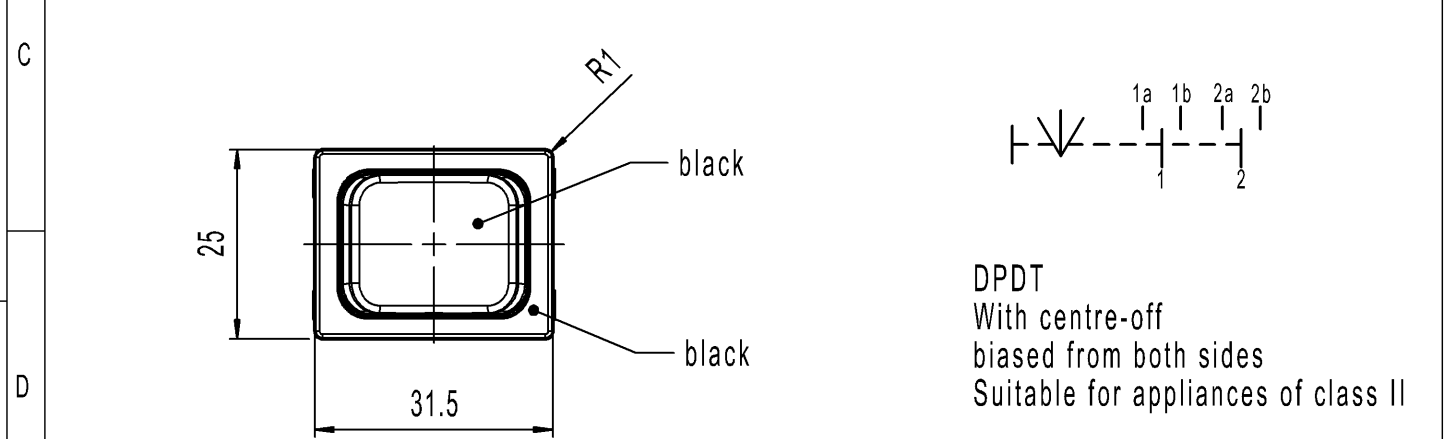
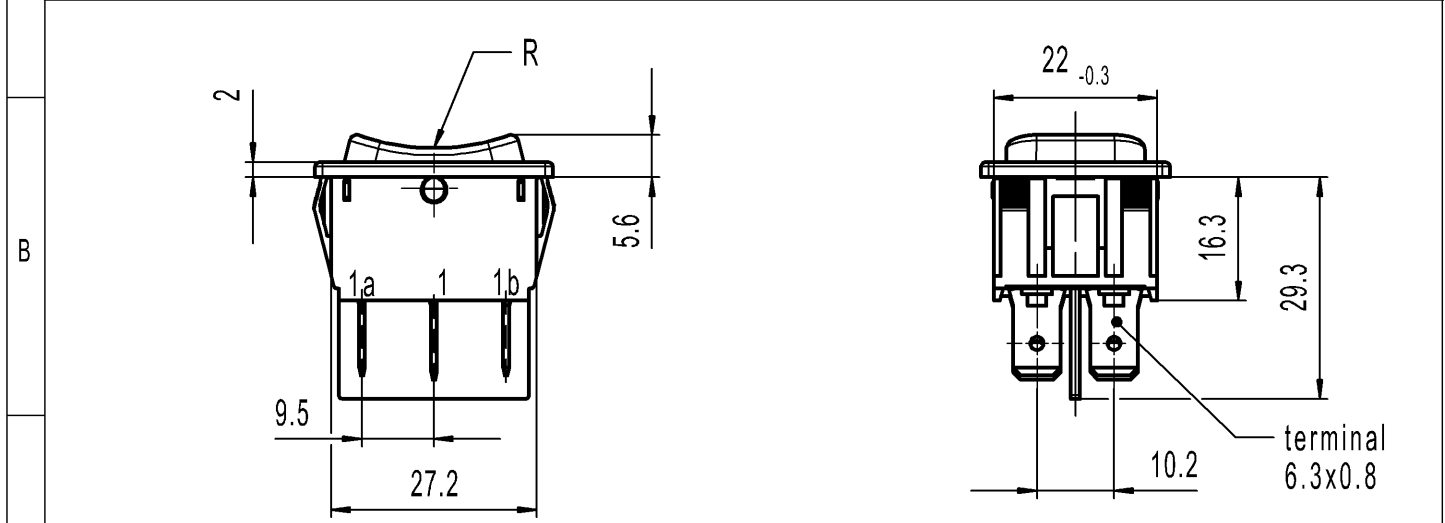
CONFIDENTIAL

VERTRAULICH

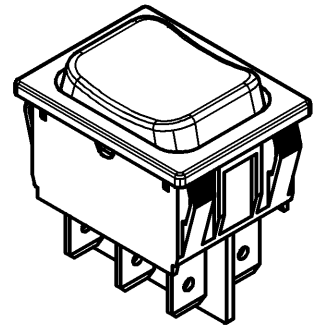
THIS DRAWING IS THE EXCLUSIVE PROPERTY OF MARQUARDT. WITHOUT THEIR CONSENT IT MAY NOT BE REPRODUCED OR GIVEN TO THIRD PARTIES.

Alle Rechte bei Marquardt, auch fuer den Fall von Schutzrechtsanmeldungen. Jede Verfuugungsbefugnis, wie Kopier- und Weitergaberecht, bei uns.

A	recommended cut-out for snap-in fixing (edge opposite to snap-in direction)	1	2	3	4
			wall thickness	length of cut-out	width of cut-out
			0.75 to 1.25	30 -0.1	22+0.2
			>1.25 to 2	30.2 -0.1	22+0.2
		>2 to 3	30.6 -0.1	22+0.2	



DPDT
With centre-off
biased from both sides
Suitable for appliances of class II



Marking

Ⓜ
1839.
6(4)/250~T105/55



6A 125-250V AC
1/8 HP

R58

Code of manufacture: place/year/week

-	-	-	1839.3402-XX				
Figure	Type	Customer Part No.	Art.No.-PI				
Shape and location	Angle $\pm 2^\circ$	Sheet 01	Ident. K				
	Edge tolerance	Format DIN A4	Document number 18393402				
Ⓜ		Projection	Index f				
		Scale 1:1	Appliance Switch				
f	141196	2022-06-14		MOHITEN	All dimensions are in millimetres	System NX V1899	Replacement of
e	64508	2009-08-27	HHE				
d	29987	2000-08-08	GRH	Zg.gl.Nr.v.25.11.1996		MARQUARDT	
c	24370	1996-11-24	GRH				
Index	MEC-No.	Date (YYYY-MM-DD)	Edited by				