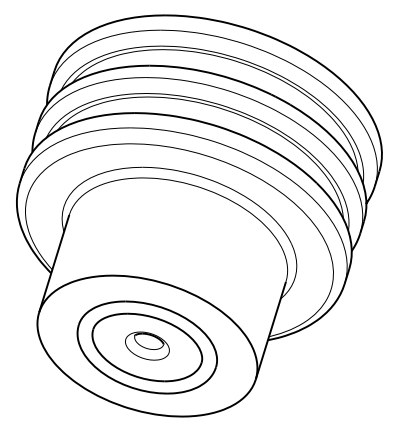
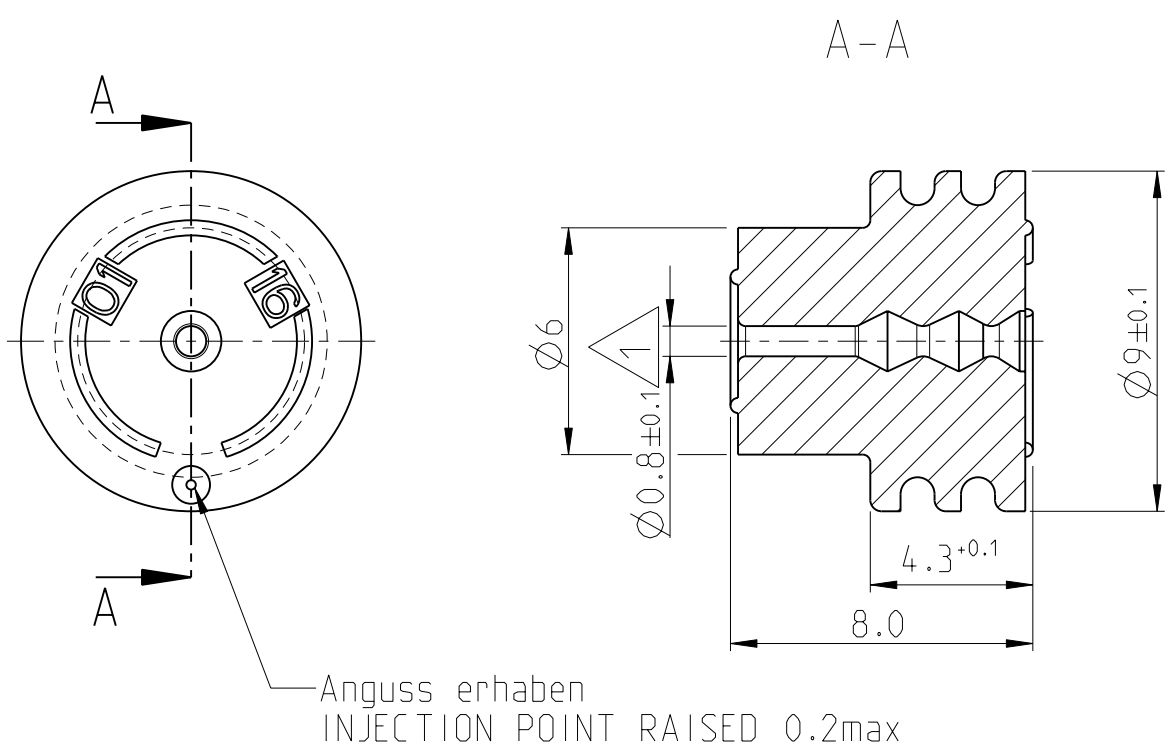


THIS DRAWING IS UNPUBLISHED. RELEASED FOR PUBLICATION 2011  
 © COPYRIGHT 2011 ALL RIGHTS RESERVED.


LOC	DIST	REVISIONS					
		P	LTR	DESCRIPTION	DATE	DWN	APVD
A1	-		A1	NEW PRO/E DRAWING	31MAR2011	SH	-

Einzelleiterdichtung fuer Standard-Power-Timer,  
 AMP MCP6.3/4.8K und 5.8mm Flachstecker  
 SEALING FOR STANDARD-POWER-TIMER, AMP MCP6.3/4.8K  
 AND 5.8mm TAB

1 Geeignet fuer Isolations  $\varnothing$ 1.4-2.0mm  
 (FLK-Leitung 0.35mm<sup>2</sup>, FLR-Leitung 0.5-1.0mm<sup>2</sup>)  
 DEDICATED FOR INSULATION DIA 1.4-2.0mm  
 (FLK-CABLE WIRE SIZE 0.35mm<sup>2</sup>  
 FLR-CABLE WIRE SIZE 0.5-1.0mm<sup>2</sup>)



2177018-1	A	SINGLE WIRE SEAL Einzelleiterdichtung	YELLOW gelb	01
PART NO Teile-Nr.	REV	DESCRIPTION Bezeichnung	COLOUR Farbe	ITEM NO

THIS DRAWING IS A CONTROLLED DOCUMENT.		DWN SHREESHAIL,H 31MAR2011	 TE Connectivity	
DIMENSIONS: mm		CHK Schaefer, R. 07JUNE2011		
TOLERANCES UNLESS OTHERWISE SPECIFIED:		APVD -	NAME SINGLE WIRE SEAL,INSULATION DIA 1.4-2.0mm Einzeldrahtdichtung	
0 PLC ±0.2		PRODUCT SPEC -	SIZE A3	
1 PLC ±		APPLICATION SPEC -	CAGE CODE 00779	DRAWING NO C=2177018
2 PLC ±		WEIGHT 0.36 [g]	RESTRICTED TO -	
3 PLC ±		CUSTOMER DRAWING	SCALE 5:1	SHEET 1 OF 1
4 PLC ±			REV A1	
ANGLES ±2°				
FINISH -				
MATERIAL MVQ,SILICON				