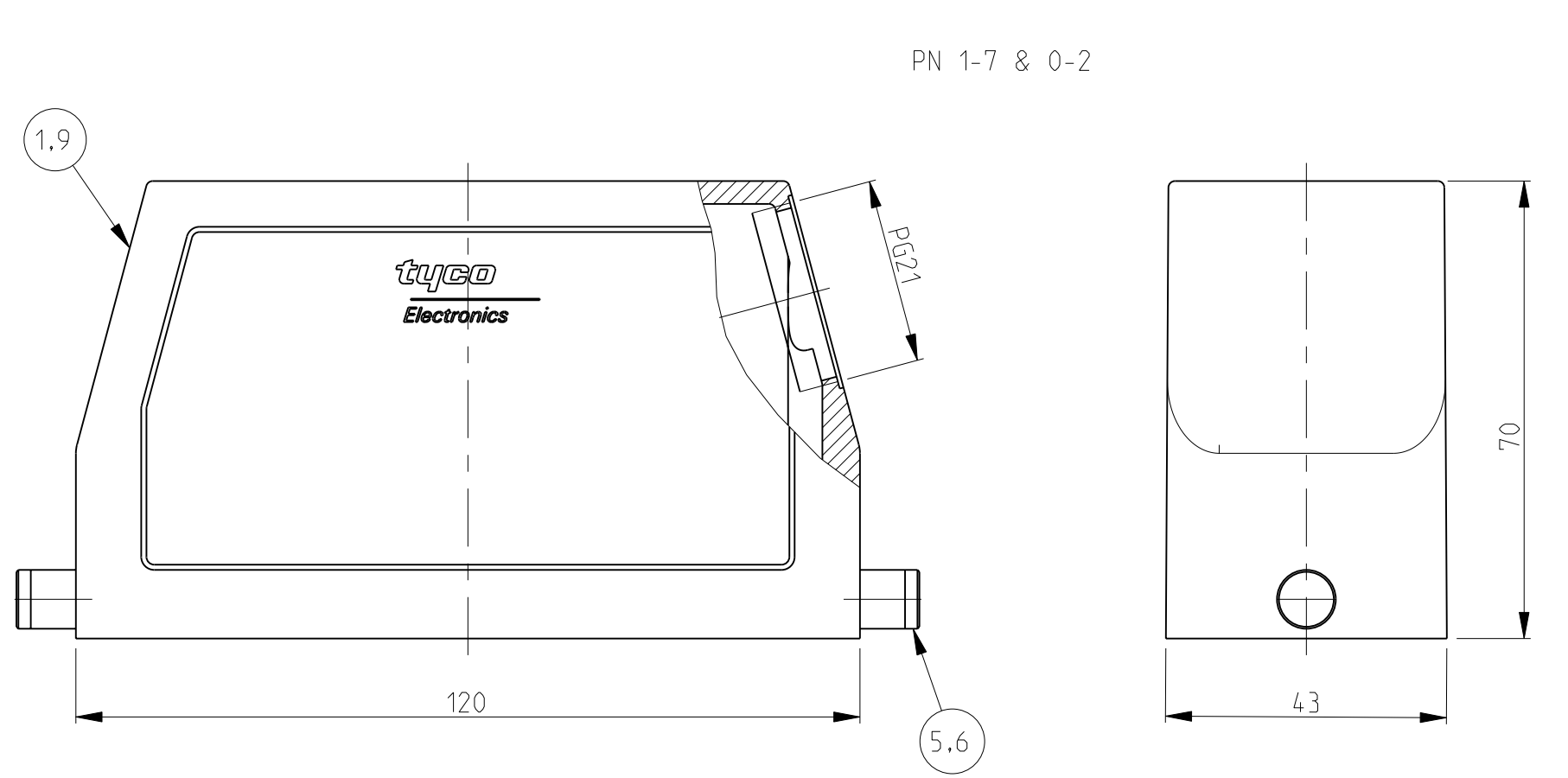
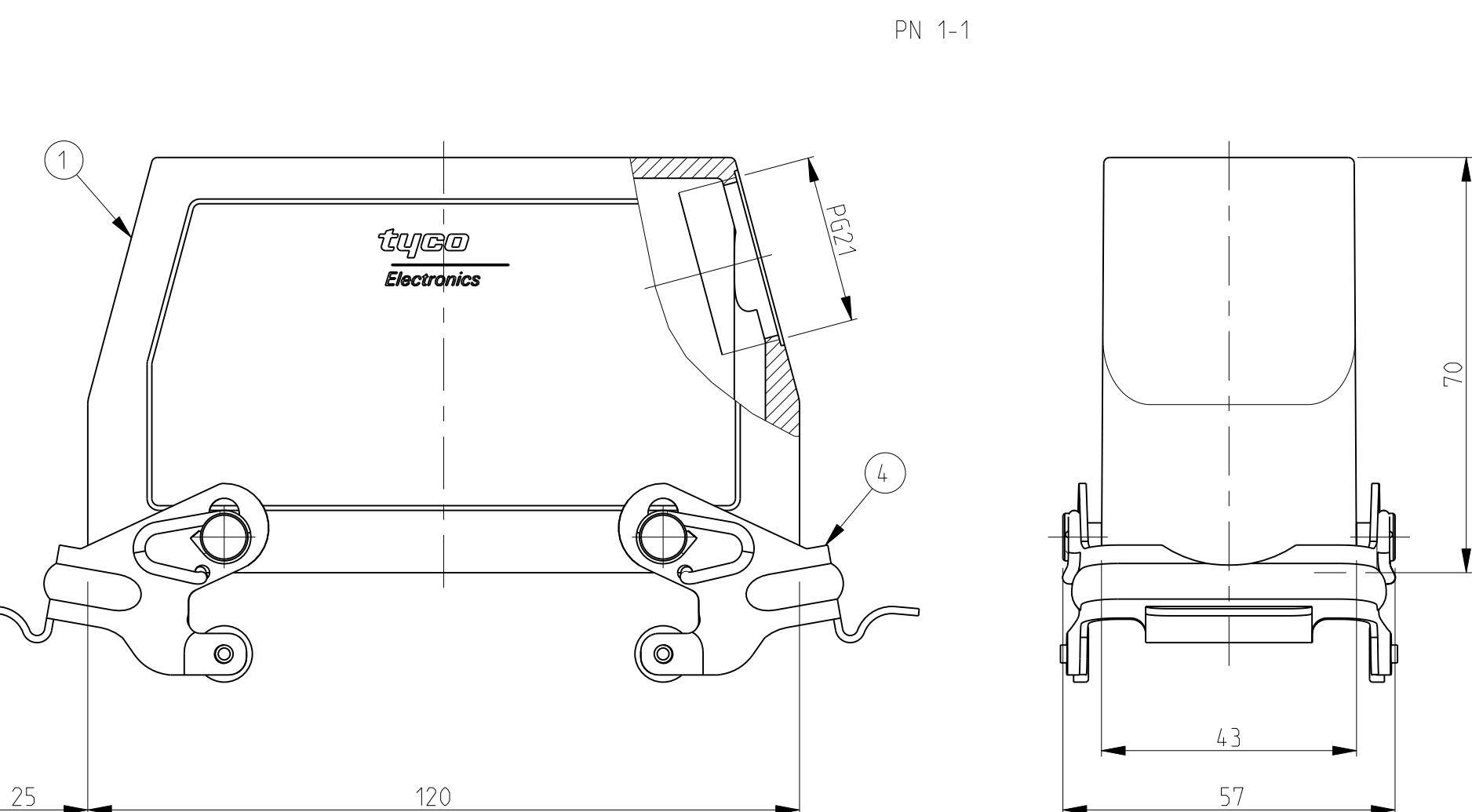
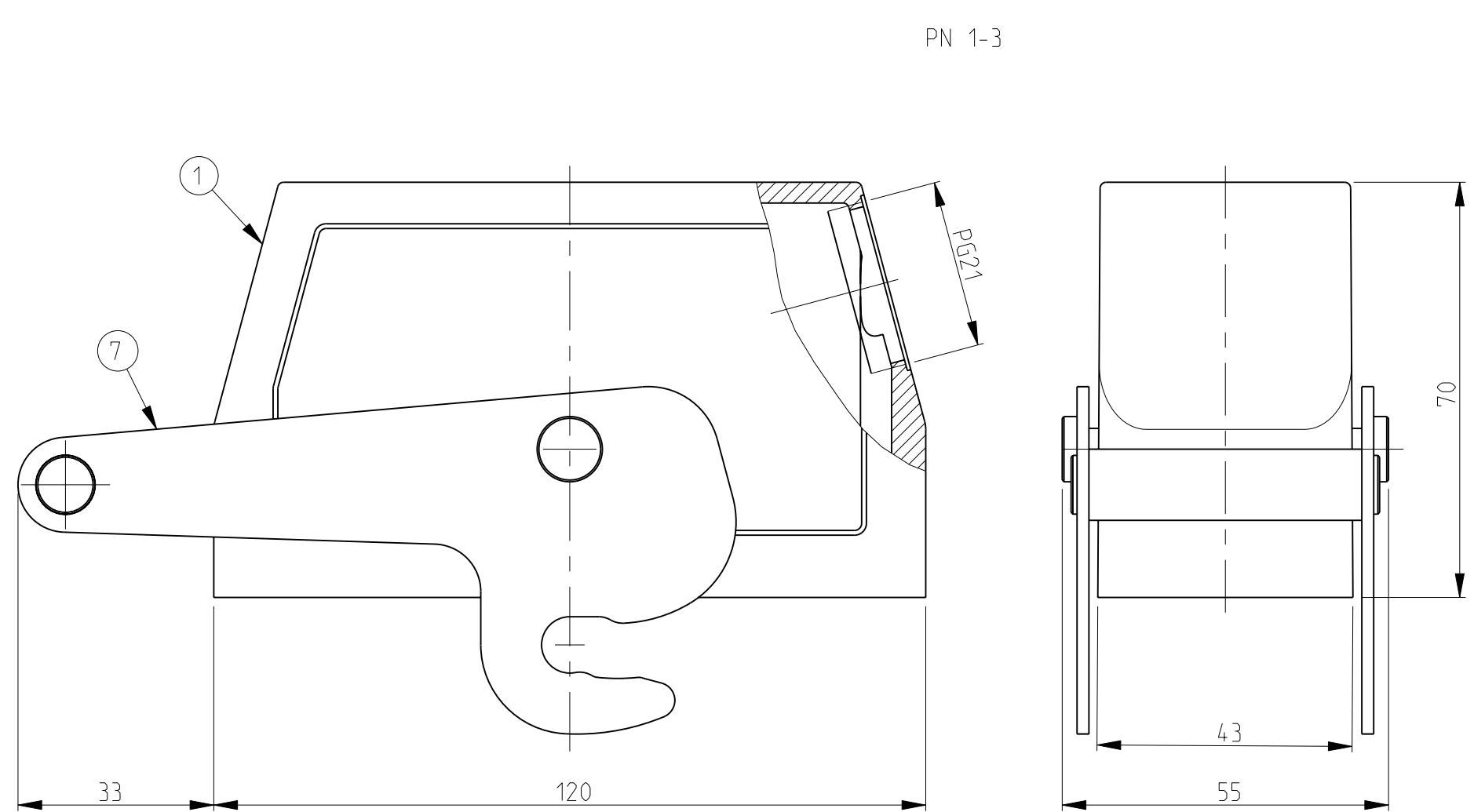
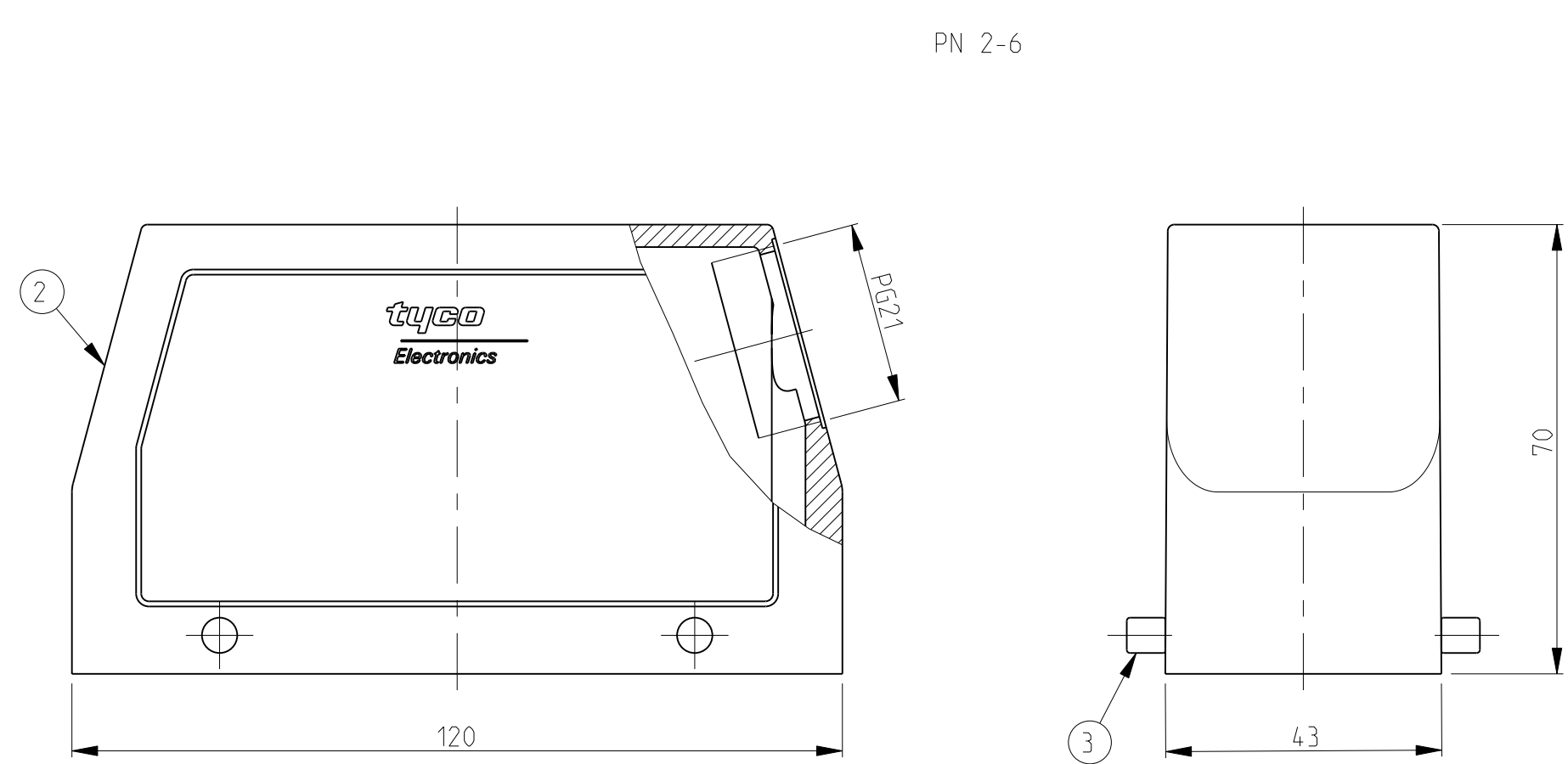
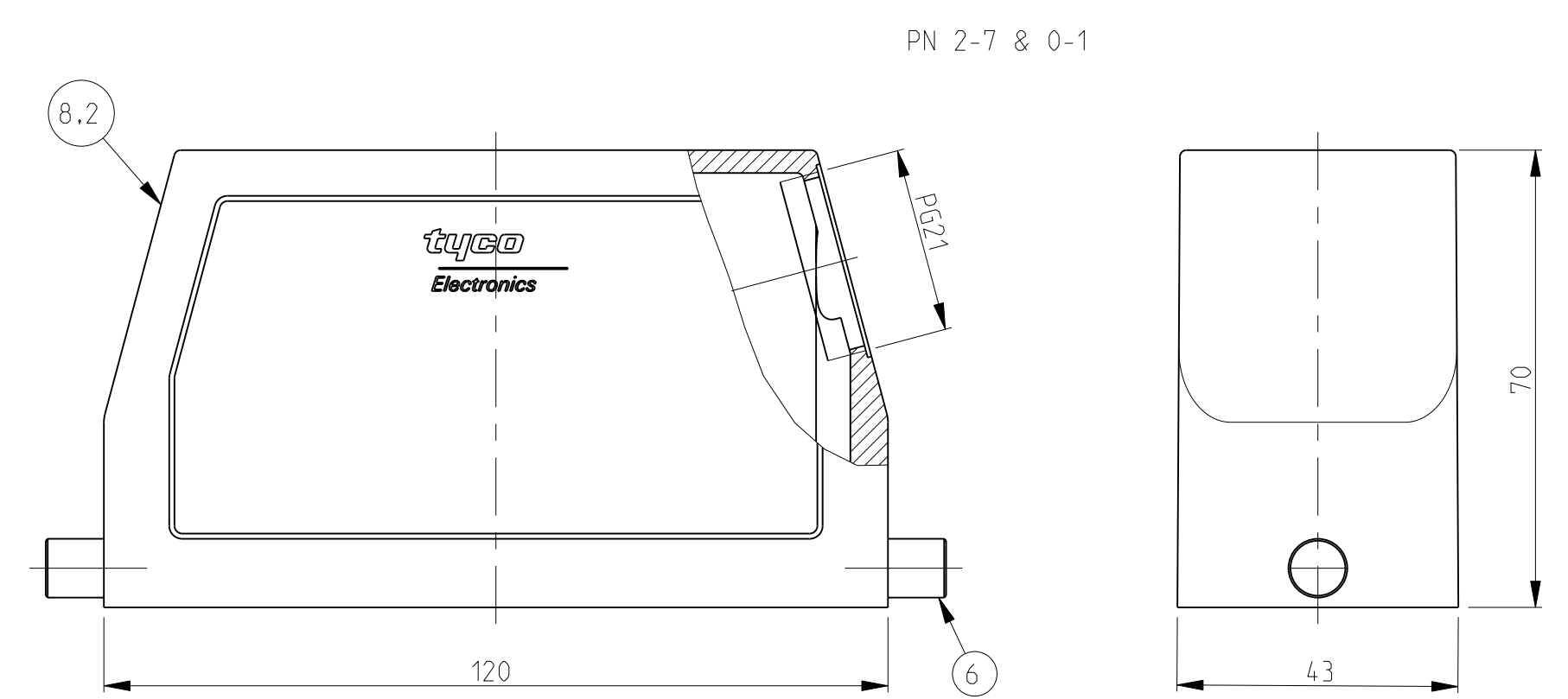
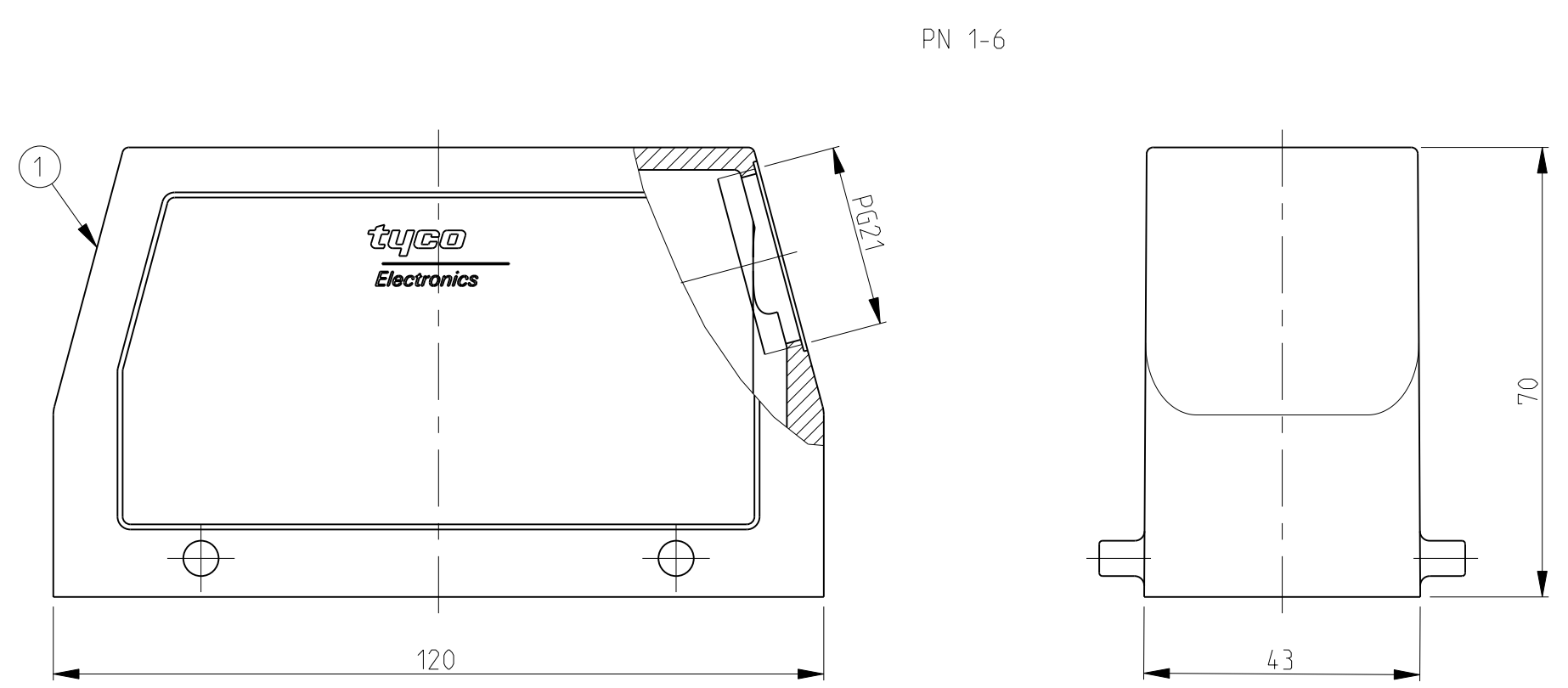
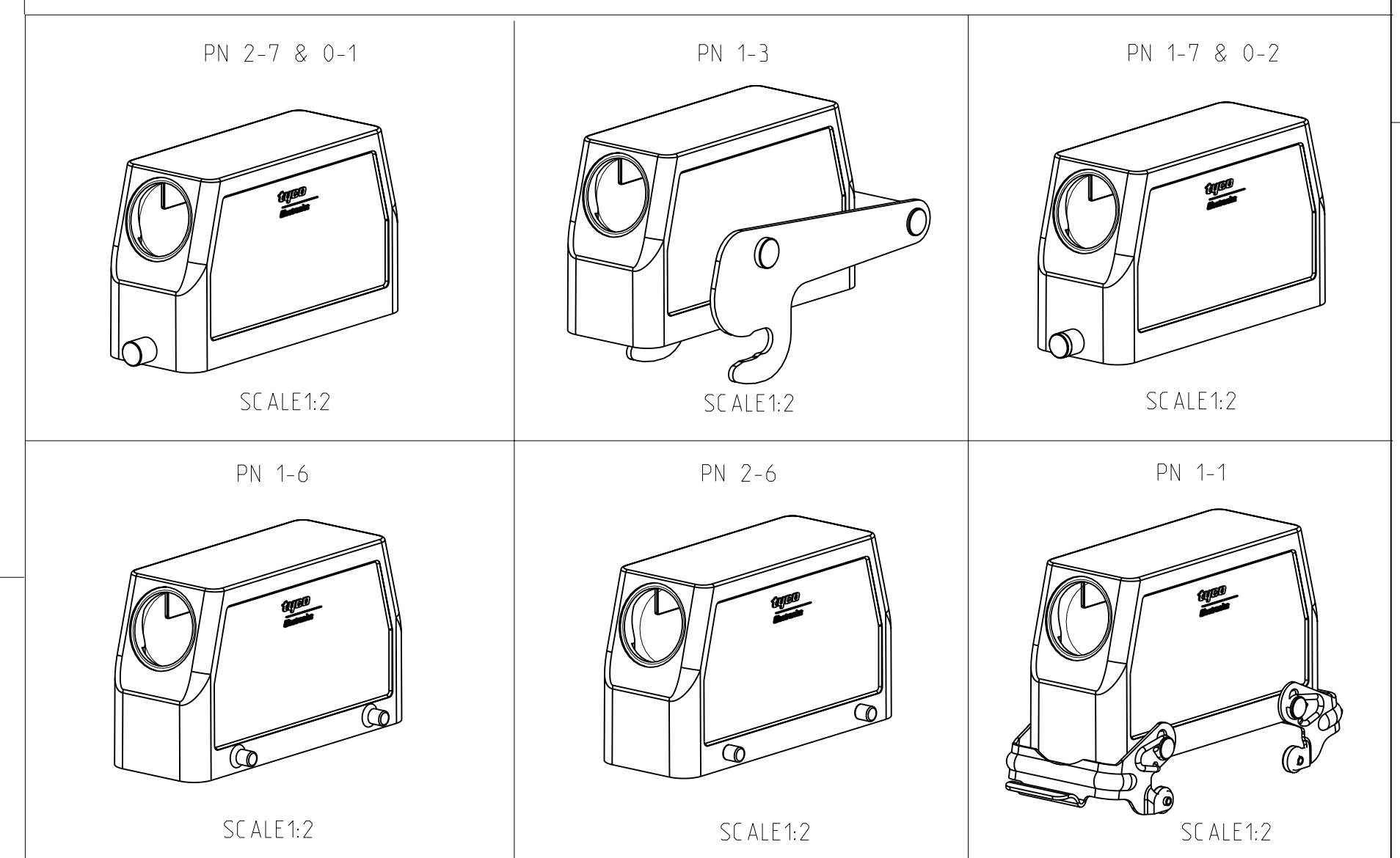


LOC	DIST	REV	DESCRIPTION	DATE	DWN	APVD
A1	-	A3	Released as per ECR-07-019955	22.08.07	SK	TS



- NOTES:
- 1 Material:Housing:Aluminium Diecasting Alloy
  - 2 Surface:Varnish grey  
-Aluminium oxide-  
Varnish black
  - 3 Varnish on the inside not necessary
  - 4 Packaging  
Quantity 5 Pieces in a box



QTY	ITEM NO	DESCRIPTION	MATERIAL	SURFACE	COLOR	REMARKS
1	1	Hood HB	Aluminium	-	Grey	9 Neutral
1	1	Hood HB-K	Aluminium	Aluminium oxide	Aluminium-colored	8 Special lacquer finish
2	2	ZB-Central clip	Steel	Zinc plated	Blue	7
2	2	LB-Clip bolt	Stainless steel	Blank	-	6
2	2	VS-Side clip	Steel	Zinc plated	Blue	5
4	4	VS-Clip bolt	Stainless steel	Blank	-	4
1	1	HB-K Hood	Aluminium	Aluminium oxide	Black	3
1	1	HB Hood	Aluminium	-	Grey	2
1	1	HB-K Hood	Aluminium	-	Grey	1

ORDERING TEXT:  
 HB.24.STS.1.21.G  
 HB-K.24.STS.1.21.G  
 HB.24.STS-VS.1.21.G  
 HB.24.STS-GR.1.21.G  
 HB-K.24.STS-GR.1.21.G  
 HB-Z.24.STS-ZB.1.21.G  
 HB-K.24.STS-ZB.1.21.G  
 HB.24.STS-GR.1.21.G

DIMENSIONS:	TOLERANCES UNLESS OTHERWISE SPECIFIED:	DWN	Schneider	05.06.00	Tyco Electronics AMP GmbH 0-53819-Neunkirchen,Germany
mm	0.100 mm	CHK	Schweiger	05.06.00	
MATERIAL:	FINISH:	APVD			NAME: Hood HB.24.STS.1.21.G
					PRODUCT SPEC: 108-74001
					PLC: 108-74003
					APPLICATION SPEC: 114-74001
					PLC: 114-74004
					WEIGHT:
					SCALE: 1:1 SHEET 1 OF 1 REV: A3