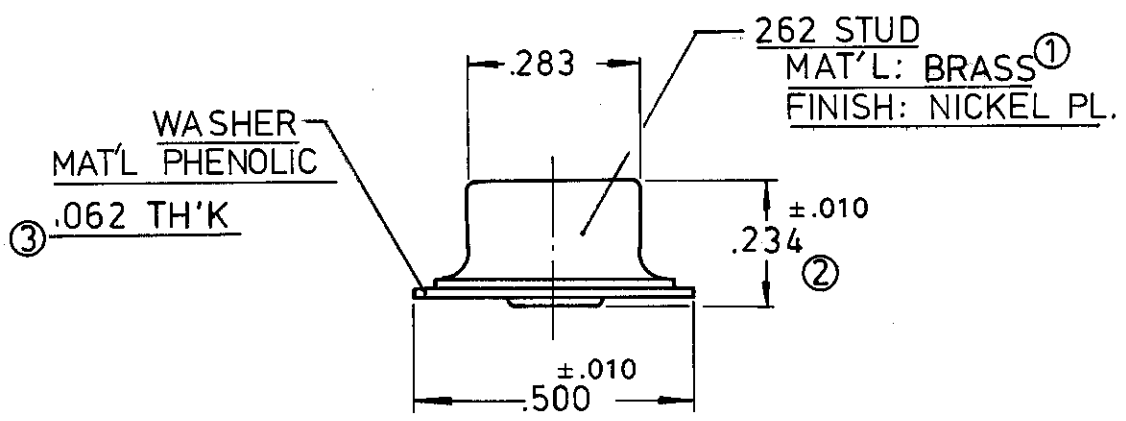
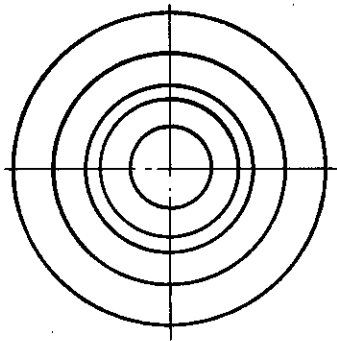


NO. 273  
CODE  
C/M



**KEYSTONE ELECTRONICS CORP.**

ASTORIA, N.Y. 11105-2017

PART NAME SNAP-ON

MATERIAL AS NOTED

FINISH AS NOTED

DRAWN BY L.N. DATE 2.8.82

APPROVED A.A. SCALE —

TOLERANCES  
FRACTIONAL ±  
DECIMAL ±.005 ANGULAR ±  
UNLESS OTHERWISE NOTED

DWG. NO. 273

8.4.93 ③ ADDED DIM.  
① WAS STEEL ② WAS .200

DATE REVISION

A  
ISSUE