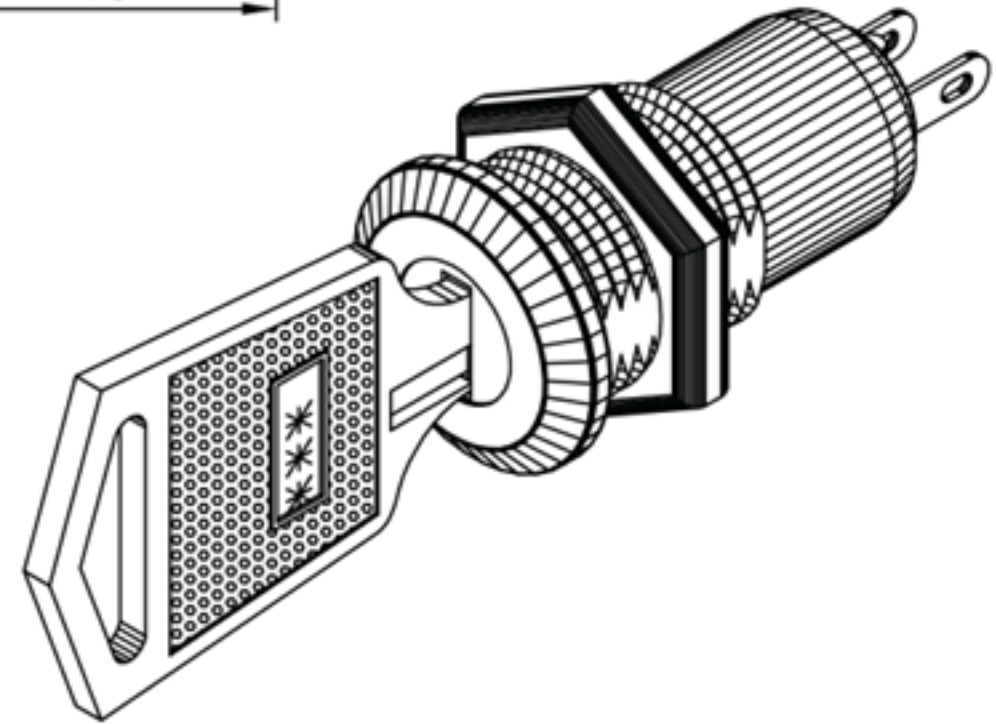


Recommended hole size



NOTES:

- *Zinc alloy die cast housing with bright stainless steel bezel.
- *Brass keys, nickel plated.
- *Silver plated contacts and terminals.
- *2 Positions (off-on).
- *Key can withdrawn in both positions.
- *Contact Rating : 0.2A 125VAC

TOLERANCES	
>0	±0.2
>6	±0.3
>30	±0.4
>120	±0.6
>315	±1.0
>1000	±2.5