

154719-9 ✓ ACTIVE

Positive Lock | Mark I, Positive Lock 250

TE Internal #: 154719-9

Crimp Terminal Housings, Receptacle, Receptacle, 1 Position,
Straight, UL 94V-2, Brown, Polyamide 6.6 GF, Mating Alignment,
Positive Lock 250

[View on TE.com >](#)



Terminals & Splices > Terminal Housings, Insulation Sleeves & Blocks > Crimp Terminal Housings



Terminal Type: **Receptacle**

Connector & Housing Type: **Receptacle**

Number of Positions: **1**

Terminal Orientation: **Straight**

UL Flammability Rating: **UL 94V-2**

Features

Product Type Features

| | |
|-----------------------------------|-----------------------------|
| Sealable | No |
| Connector System | Wire-to-Board, Wire-to-Wire |
| Connector & Contact Terminates To | Wire & Cable |
| Connector & Housing Type | Receptacle |

Configuration Features

| | |
|---------------------|---|
| Number of Positions | 1 |
|---------------------|---|

Body Features

| | |
|-----------------------|-------|
| Primary Product Color | Brown |
|-----------------------|-------|

Contact Features

| | |
|--------------------------|------------|
| Terminal Type | Receptacle |
| Terminal Orientation | Straight |
| Contact Mating Retention | Without |

Mechanical Attachment



| | |
|-------------------------|----------------------------|
| Mating Alignment Type | Polarization |
| Mating Alignment | With |
| Connector Mounting Type | Cable Mount (Free-Hanging) |

Housing Features

| | |
|------------------|------------------|
| Housing Material | Polyamide 6.6 GF |
|------------------|------------------|

Dimensions

| | |
|----------------|------------------|
| Product Length | 24.26 mm[.96 in] |
|----------------|------------------|

Usage Conditions

| | |
|-----------------------------|----------------------------|
| Operating Temperature Range | -40 – 105 °C[-40 – 221 °F] |
|-----------------------------|----------------------------|

Industry Standards

| | |
|------------------------|----------|
| UL Flammability Rating | UL 94V-2 |
|------------------------|----------|

Packaging Features

| | |
|--------------------|------|
| Packaging Quantity | 1500 |
|--------------------|------|

Product Compliance

[For compliance documentation, visit the product page on TE.com>](#)

| | |
|---|---|
| EU RoHS Directive 2011/65/EU | Compliant |
| EU ELV Directive 2000/53/EC | Compliant |
| China RoHS 2 Directive MIIT Order No 32, 2016 | No Restricted Materials Above Threshold |
| EU REACH Regulation (EC) No. 1907/2006 | Current ECHA Candidate List: JUNE 2023 (235) Candidate List Declared Against: JUNE 2023 (235) Does not contain REACH SVHC |
| Halogen Content | BFR/CFR/PVC Free, but Br/Cl >900 ppm in other sources. |
| Solder Process Capability | Not applicable for solder process capability |

Product Compliance Disclaimer

This information is provided based on reasonable inquiry of our suppliers and represents our current actual knowledge based on the information they provided. This information is subject to change. The part numbers that TE has identified as EU RoHS compliant have a maximum concentration of 0.1% by weight in homogenous materials for lead, hexavalent chromium, mercury, PBB, PBDE, DBP, BBP, DEHP, DIBP, and 0.01% for cadmium, or qualify for an exemption to these limits as defined in the Annexes of Directive 2011/65/EU (RoHS2). Finished electrical and electronic equipment products will be CE marked as required by Directive 2011/65/EU. Components may not be CE marked. Additionally, the part numbers that TE has identified as EU ELV compliant have a maximum concentration of 0.1% by weight in homogenous materials for lead, hexavalent chromium, and mercury, and 0.01% for cadmium, or qualify for an exemption to these limits as defined in the Annexes of Directive 2000/53/EC (ELV). Regarding the REACH Regulation, the information TE provides

on SVHC in articles for this part number is based on the latest European Chemicals Agency (ECHA) 'Guidance on requirements for substances in articles' posted at this URL: <https://echa.europa.eu/guidance-documents/guidance-on-reach>

Compatible Parts



TE Part # 154718-3
PL 250 REC 0.7-2.0 MM2 0.406 TPBR



TE Part # 63812-1
250 PL MKI REC. 18-14AWG TPBR



TE Part # 154717-3
PL 250 REC TERMINAL 14-11 AWG TPBR



TE Part # 1-160759-1
250 PL MKI REC. 20-15AWG PTBR



TE Part # 790319-3
250 PL MKI REC. 12-10AWG PTBR




TE Part # 344160-1
R/ANGLE POS.LOK.BOOT

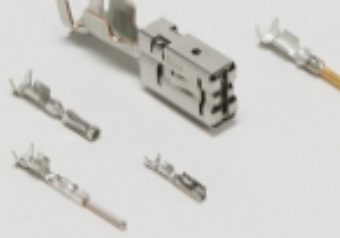


TE Part # 926646-8
PL 250 8P HOUSING PA6.6 ZYTEL 101 WHITE


Also in the Series | Mark I




Automotive Housings(1)




Automotive Terminals(7)



Crimp Terminal Housings(24)

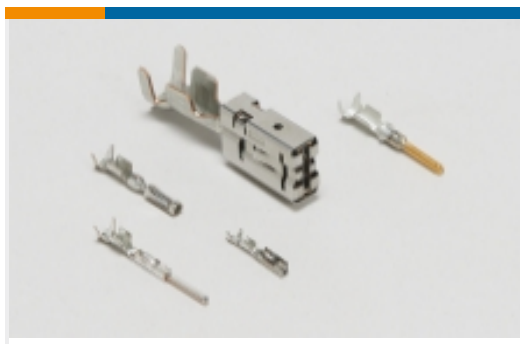


Insertion & Extraction Tools(1)



Quick Disconnects(29)

Also in the Series | Positive Lock 250



Automotive Terminals(1)



Crimp Terminal Housings(193)



Insertion & Extraction Tools(3)



Insulation Boots & Sleeves(4)

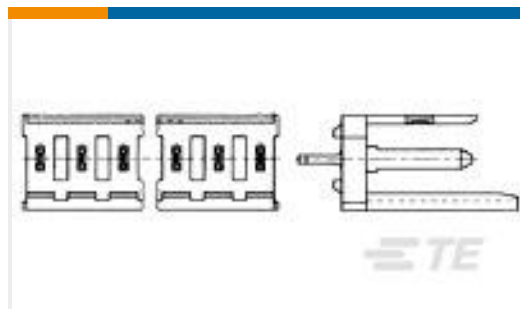


Quick Disconnects(186)

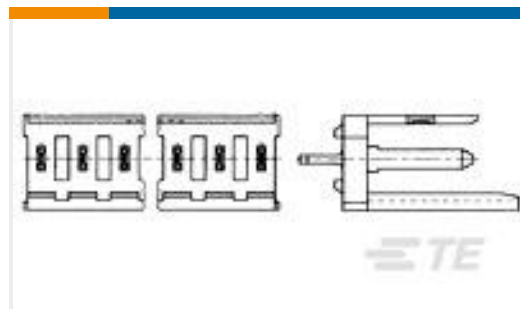
Customers Also Bought



TE Part #1630027-1
HSC300 100R 5%



TE Part #280609-1
2P MOD 1 SHROUDED HEADER, ST,
TIN PLTD



TE Part #280610-1
4P MOD 1 SHROUDED HEADER, ST,
TIN PLTD



TE Part #5-160429-6
187 FASTON REC 16-14 AWG TPBZ



TE Part #1534027-1
MQS VERRIEGLUNG F2P



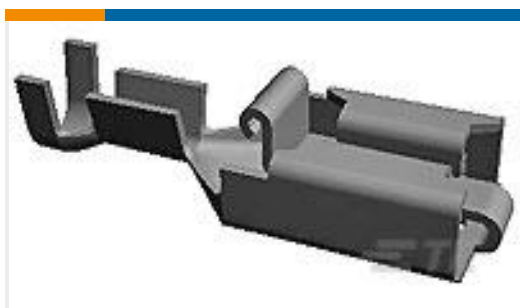
TE Part #1394133-1
SINGLE WIRE SEAL BLUE



TE Part #1438299-4
GET MALE TERM, B, SN



TE Part #1-1630019-2
HSC200 220R 5%



TE Part #160773-4
PL LP RECEPTACLE 0.5-1.5 MM2
TPPHBZ



TE Part #154719-6
PL 250 REC HSG 1P NYLON BLUE

Documents



Product Drawings

[PL 250 REC HSG 1P NYLON BROWN](#)

English

CAD Files

[3D PDF](#)

3D

Customer View Model

[ENG_CVM_CVM_154719-9_AV.2d_dxf.zip](#)

English

Customer View Model

[ENG_CVM_CVM_154719-9_AV.3d_igs.zip](#)

English

Customer View Model

[ENG_CVM_CVM_154719-9_AV.3d_stp.zip](#)

English

By downloading the CAD file I accept and agree to the [Terms and Conditions](#) of use.

Product Specifications

[Application Specification](#)

English

Instruction Sheets

[Instruction Sheet \(U.S.\)](#)

English

Agency Approvals

[CSA Certificate](#)

English

[CSA Certificate](#)

English