



TE Internal #: 966067-3
 Ferrule, 20 AWG Wire Size, .5 – .6 mm² Wire Size, 1022 CMA Wire Size, 2.6 mm [.1 in] Barrel Inside Diameter, Closed, Crimp Wire Pins, Tabs & Ferrules

[View on TE.com >](#)

Terminals & Splices > Crimp Wire Pins, Tabs & Ferrules



Crimp Wire Terminal Type: **Ferrule**

Compatible Insulation Diameter Range: **2.5 mm [.09 in]**

Wire Size: **1022 CMA**

Features

Product Type Features

Sealable	No
Compatible With Discrete Wire Type	Stranded

Configuration Features

Compatible With Wire & Cable Type	Discrete Wire
-----------------------------------	---------------

Body Features

Primary Product Color	White
-----------------------	-------

Contact Features

Contact Mating Area Length	10 mm [.39 in]
Crimp Wire Terminal Type	Ferrule
Barrel Type	Closed
Terminal Plating Material	Tin
Terminal Orientation	Straight

Mechanical Attachment

Wire Insulation Support	Without
-------------------------	---------

Dimensions

--	--



2-Wire Size	20 AWG
Strip Length	12 mm[.472 in]
Compatible Insulation Diameter Range	2.5 mm[.09 in]
Wire Size	1022 CMA
Barrel Inside Diameter	2.6 mm[.1 in]
Terminal Material Thickness	.15 mm[.005 in]
Overall Product Length	16 mm[.63 in]

Usage Conditions

Insulation Option	Partially Insulated
Operating Temperature Range	105 °C[221 °F]

Packaging Features

Packaging Quantity	500
Packaging Method	Box

Product Compliance

[For compliance documentation, visit the product page on TE.com>](#)

EU RoHS Directive 2011/65/EU	Compliant
EU ELV Directive 2000/53/EC	Compliant
China RoHS 2 Directive MIIT Order No 32, 2016	No Restricted Materials Above Threshold
EU REACH Regulation (EC) No. 1907/2006	Current ECHA Candidate List: JUNE 2024 (241) Candidate List Declared Against: JAN 2024 (240) Does not contain REACH SVHC
Halogen Content	Low Halogen - Br, Cl, F, I < 900 ppm per homogenous material. Also BFR/CFR/PVC Free
Solder Process Capability	Not applicable for solder process capability

Product Compliance Disclaimer

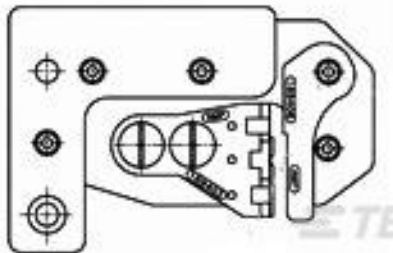
This information is provided based on reasonable inquiry of our suppliers and represents our current actual knowledge based on the information they provided. This information is subject to change. The part numbers that TE has identified as EU RoHS compliant have a maximum concentration of 0.1% by weight in homogenous materials for lead, hexavalent chromium, mercury, PBB, PBDE, DBP, BBP, DEHP, DIBP, and 0.01% for cadmium, or qualify for an exemption to these limits as defined in the Annexes of Directive 2011/65/EU (RoHS2). Finished electrical and electronic equipment products will be CE marked as required by Directive 2011/65/EU. Components may not be CE marked. Additionally, the part numbers that TE has identified as EU ELV compliant have a maximum concentration of 0.1% by weight in homogenous materials for lead, hexavalent chromium, and mercury, and 0.01% for cadmium, or qualify for an exemption to these limits as defined in the Annexes of Directive 2000/53/EC (ELV). Regarding the REACH Regulation, the information TE provides

on SVHC in articles for this part number is based on the latest European Chemicals Agency (ECHA) 'Guidance on requirements for substances in articles' posted at this URL: <https://echa.europa.eu/guidance-documents/guidance-on-reach>

Compatible Parts



TE Part # 539660-1
 ADERENDHUELSEN (Ferrule) Crimp Tool



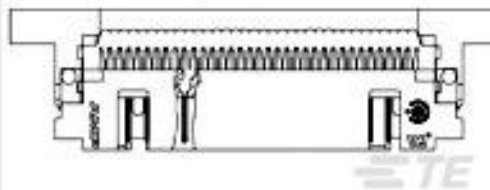
TE Part # 2-1579001-3
 CSE10-AE22 CRIMP HEAD

TE Part # 1SET191003R0000

Customers Also Bought



TE Part #87190-1
 LOCKING CLIP CONT ASSY .025 SQ




TE Part #5111448-1
 010 UNIV I/O 30DP SLOT



TE Part #CON SMA014
 SMA Jack 50 Ohm Cable Crimp Panel Mount



TE Part #9101754001
 CGPT-3.2/1.6-45-SP



TE Part #F16068-000
 HX-SCE-5K-3.2-50-S1-4



TE Part #3-640622-5
 05P MTA100 CONN ASSY F/T BLU

TE Part #34015121
 GX1218 1Pt100 W0.15 L12/D1.8mm



TE Part #7-1393304-1
 V23134M1052C642-EV-CBOX

TE Part #3742609209
 Speed sen DSS 1210.15 PHV 11.99014-0214

TE Part #K1149256-1
 Plunger Switch 44-01-049 C4314

Documents

Product Drawings

FER,WIRE,PL SLV, .50/20,L10,WHITE,LP

English



CAD Files

3D PDF

English

Customer View Model

[ENG_CVM_966067-3_B1.2d_dxf.zip](#)

English

Customer View Model

[ENG_CVM_966067-3_B1.3d_igs.zip](#)

English

Customer View Model

[ENG_CVM_966067-3_B1.3d_stp.zip](#)

English

By downloading the CAD file I accept and agree to the [Terms and Conditions](#) of use.

Datasheets & Catalog Pages

Wire Ferrules

English

WIRE END FERRULES

English

Agency Approvals

CSA Certificate

English