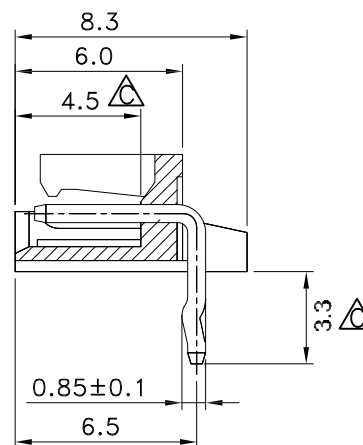
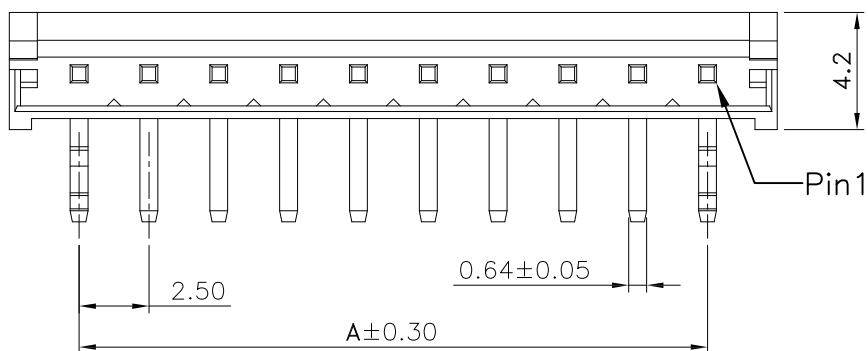
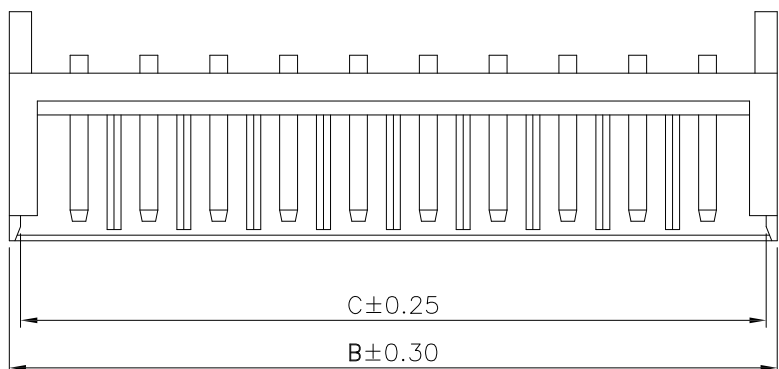
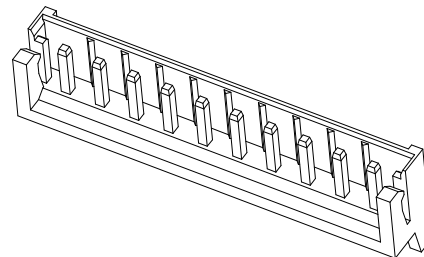


Recommended PCB Layout
General Tolerance ± 0.05



■ SPECIFICATIONS

- Voltage Rating : 250V AC/DC
- Current Rating : 3A AC/DC
- Withstanding Voltage : 800V AC/minute
- Insulation Resistance : 1,000M Ω min
- Temperature Range : - 25 $^{\circ}$ C to + 85 $^{\circ}$ C
- Contact Resistance : 20m Ω max
- Material :
 - Contact : Brass, Tin Plated
 - Base : Nylon 66 UL94V-0
- Q' ty : 1,000 pcs./Bag \triangle

755-7 2-xx T W 06
 $\frac{1}{1} \quad \frac{2}{2} \quad \frac{3}{3} \quad \frac{4}{4} \quad \frac{5}{5}$

1. 7: Green Product
2. No. of contacts per row
3. G: Gold flash
S: Selective
T: Tin plated
4. S: Crystal insulator
W: White insulator
5. Pinrex internal code.

Poles	Dimensions(mm)		
	A	B	C
02	2.50	7.50	6.70
03	5.00	10.00	9.20
04	7.50	12.50	11.70
05	10.00	15.00	14.20
06	12.50	17.50	16.70
07	15.00	20.00	19.20
08	17.50	22.50	21.70
09	20.00	25.00	24.20
10	22.50	27.50	26.70
11	25.00	30.00	29.20
12	27.50	32.50	31.70
13	30.00	35.00	34.20
14	32.50	37.50	36.70
15	35.00	40.00	39.20

		TOLERANCE		UNITS : mm		OLD PART NO.		TITLE		频锐科技股份有限公司 PINREX TECHNOLOGY CORP.	
C	Update	2023/07/27	.0 = ± 0.30					2.5mm WIRE TO BOARD CONNECTOR,R/A			
B	REVISE SIZE	2011/05/13	.00 = ± 0.20	SCALE	SIZE	SHEET	REV.	CHECK	APP'D	NEW PART NO.	DRAW NO.
A	RELEASE	2009/12/07	.0000 = $\pm .XXX$	NONE	A4	1 OF 1	C	李剑	李剑	755-72-xxTW06	755-72-xxTW06(C版)
REV.	DESCRIPTION	DATE	ANG.= $\pm 3^{\circ}$								