

**IAC Series**

**AC Input Module**

 File E29244

Users should thoroughly review the technical data before selecting a product part number. It is recommended that users also seek out the pertinent approvals files of the agencies/laboratories and review them to ensure the product meets the requirements for a given application.

**Features**

- Industry standard package and pin-out.
- Color coded by function.
- 4000V rms optical isolation.
- High immunity to false operation.
- Series compatible.
- Compatible with 2IO series mounting boards.

**Engineering Data**

**Switch Form:** 1 Form A (SPST-NO)  
**Duty:** Continuous.  
**Operating Temperature:** -30°C to +80°C.  
**Storage Temperature:** -30°C to 100°C.  
**Potting Compound Flammability:** UL94V-0.  
**Approximate Weight:** 1.38 oz. (35g).

**Ordering Information**

Typical Part Number >

**IAC -5 A**

**1. Basic Series:** IAC = AC input module - yellow case

**2. Logic Voltage:** 5 = 5VDC  
 15 = 15VDC  
 24 = 24VDC

**3. Input:** Blank = 120VAC input (90-140VAC) \*\*  
 A = 240VAC input (180-280VAC) \*\*  
 E = 18-36VAC input \*\*

\*\* Is not polarity sensitive.

**Our authorized distributors are more likely to maintain the following items in stock for immediate delivery.**

- IAC-5
- IAC-5A
- IAC-5E
- IAC-15
- IAC-24

**Input Specifications**

Parameter	Conditions	Units	IAC-5			IAC-5A			IAC-5E		
			IAC-15	IAC-24		IAC-15A	IAC-24A		IAC-15E	IAC-24E	
			Min.	Typ.	Max.	Min.	Typ.	Max.	Min.	Typ.	Max.
Control Voltage Range $V_{IN}$		VAC	90	120	140	180	240	280	18	24	36
Must Operate Voltage $V_{IN(OP)}$		VAC			90			180			18
Must Release Voltage $V_{IN(REL)}$		VAC	60			60			10		
Max. Input Current	@ $V_{IN}$ =Max.	mA	1 - 5			1 - 8			0.2 - 2.0		
Input Resistance		Ohms	Current Regulator								

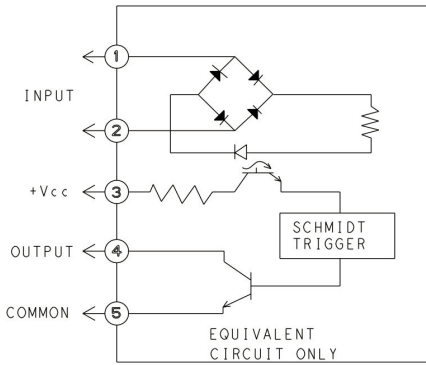
**IAC Series** (Continued)

**AC Input Module**

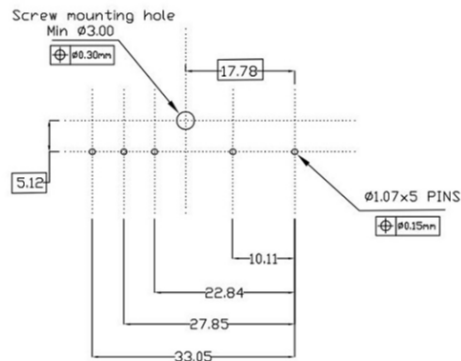
**Output Specifications (@ +25°C unless otherwise specified)**

Parameter	Conditions	Units	IAC-5			IAC-15			IAC-24		
			IAC-5A	IAC-5E		IAC-15A	IAC-15E		IAC-24A	IAC-24E	
			Min.	Typ.	Max.	Min.	Typ.	Max.	Min.	Typ.	Max.
Maximum Output Voltage		VDC			30			30			30
Maximum Output Current		mADC			50			50			50
Maximum Output Leakage Current	V <sub>OUT</sub> =Max.	mA			10			10			10
Maximum Output Voltage Drop	I <sub>SINK</sub> =50mA	VDC			0.2			0.2			0.2
Logic Supply Voltage V <sub>CC</sub>		VDC	3	5	6	12	15	18	20	24	30
Logic Supply Current	V <sub>CC</sub> =Max.	mADC			15			15			15
Turn-On Time (Nominal)	I <sub>SINK</sub> =25mA	ms			20			20			20
Turn-Off Time (Nominal)	I <sub>SINK</sub> =25mA	ms			30			30			30
Output Type (Open Collector)			Normally Open <sub>(SINKING)</sub>			Normally Open <sub>(SINKING)</sub>			Normally Open <sub>(SINKING)</sub>		

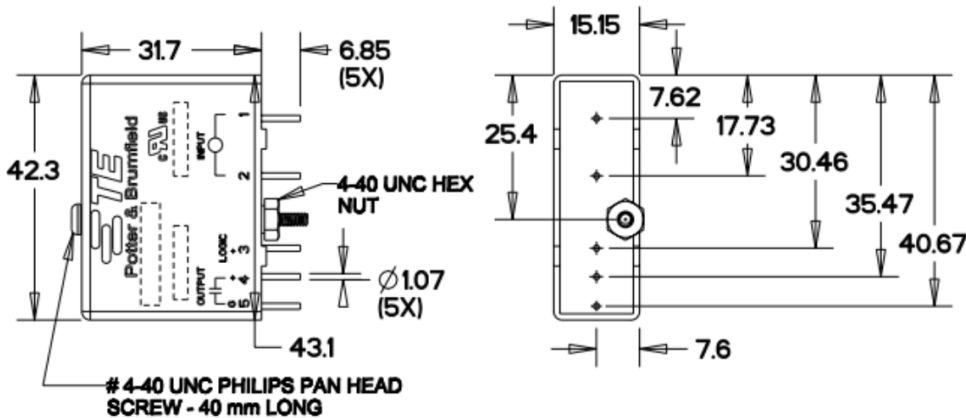
**IAC Operating Diagram**



**PCB Layout**



**Outline Dimensions**



**Note :** Extra nut and washer will be provided on the screw, which will goes under PCB to fix the relay.  
Hex Nut S= 6.35 (width across flats), Thickness = 2.40  
Washer = OD :  $\Phi 4.85 \pm 0.25$ , ID:  $\Phi 2.75 \pm 0.15$ , Thickness = 0.55