

2J7715B-433

433MHz ISM Screw Mount

Key Features

433 MHz ISM
- 433-435 MHz
Screw Mount
High Performance
Ground Plane Dependent
Customizable Cable and Connector
Dimensions: Ø 60 x 69 mm
Certificates: IP67, IP69, IK09



1. Antenna and electrical specifications

Parameters	433 MHz ISM Antenna
Standards	ISM, LoRa
Band (MHz)	433 MHz
Frequency (MHz)	433-435
Return Loss (dB)	~-27.4
VSWR	~1.1:1
Efficiency (%)	~40.4
Peak Gain (dBi)	~0.3
Average Gain (dB)	~-4.0
Impedance (Ohm)	50
Polarisation	Linear
Radiation Pattern	Omni-Directional
Max. Input Power (W)	50
Connector Type	SMA-Male Standard (Other Connectors Available)
Cable Length	300 cm Standard (Any Cable Length Available)
Cable Type	LL100 Standard (Other Cables Available)

Antenna Measurement Conditions:

Mounted on 60 x 60 cm Ground Plane

LL100 200 cm Cable Length

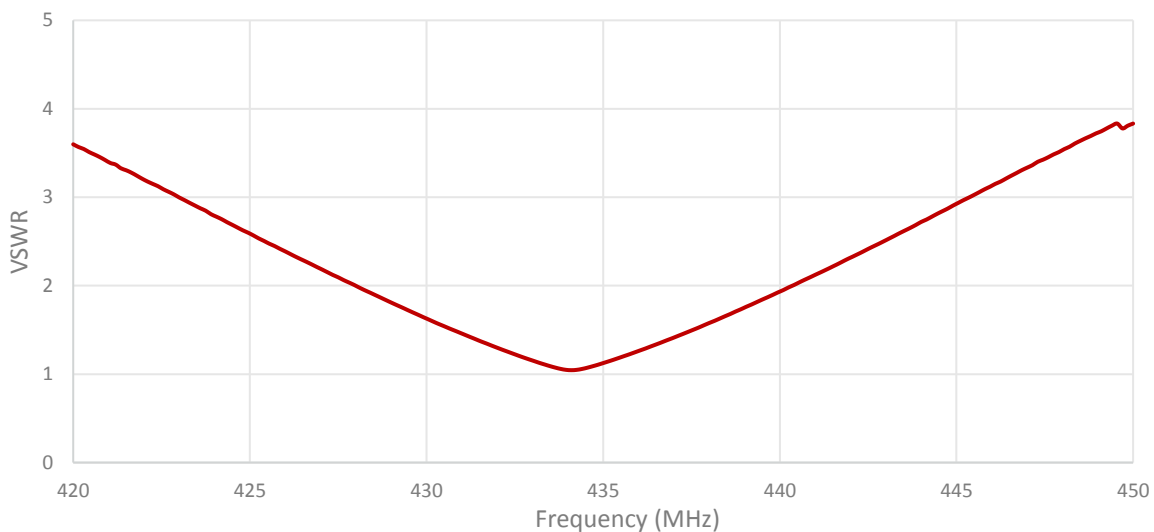
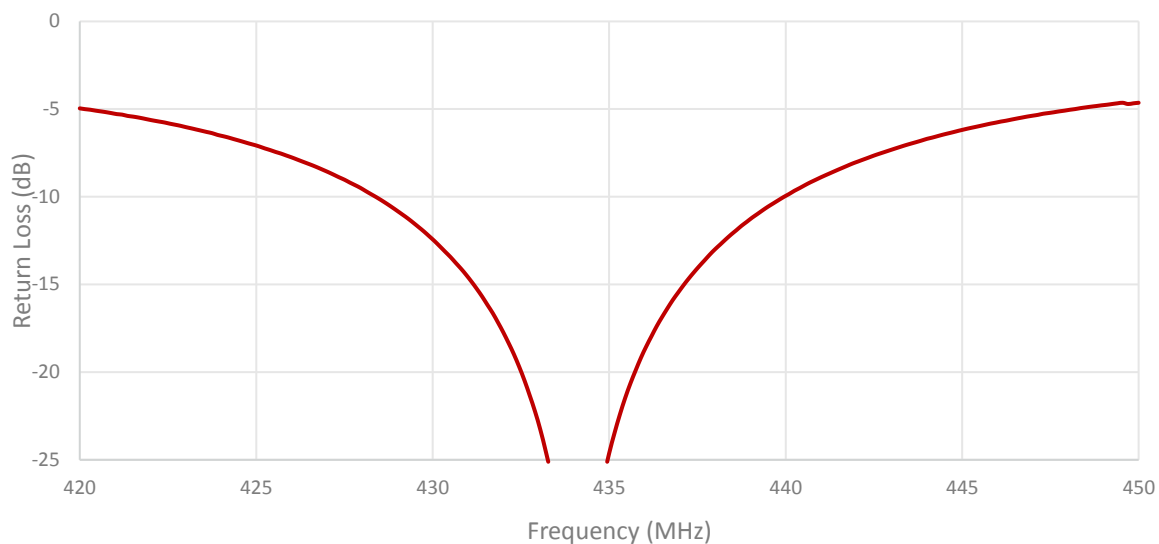
Measured in Certified CTIA 3D Anechoic Chamber

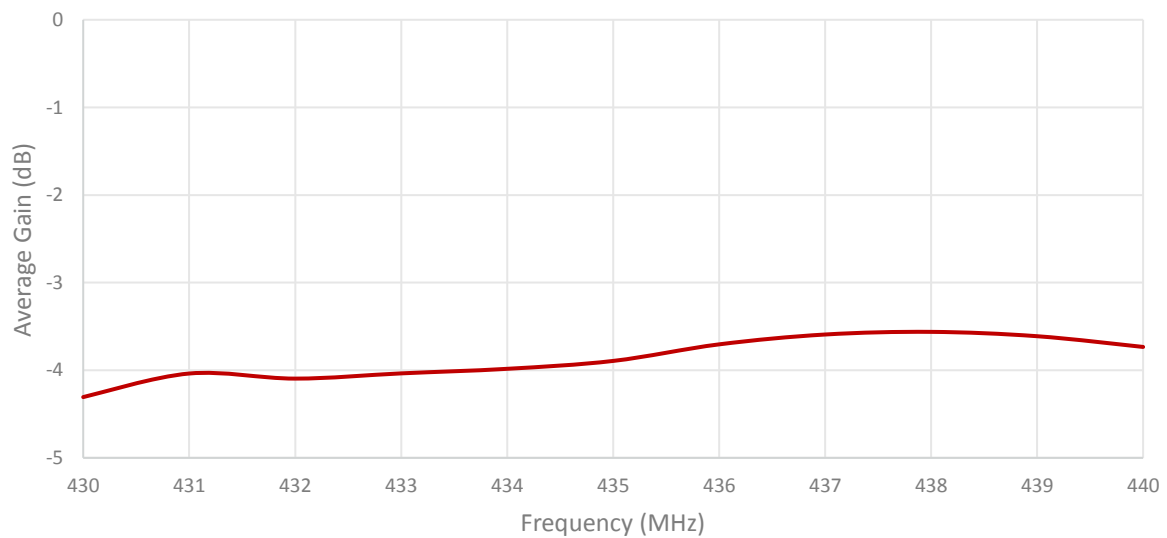
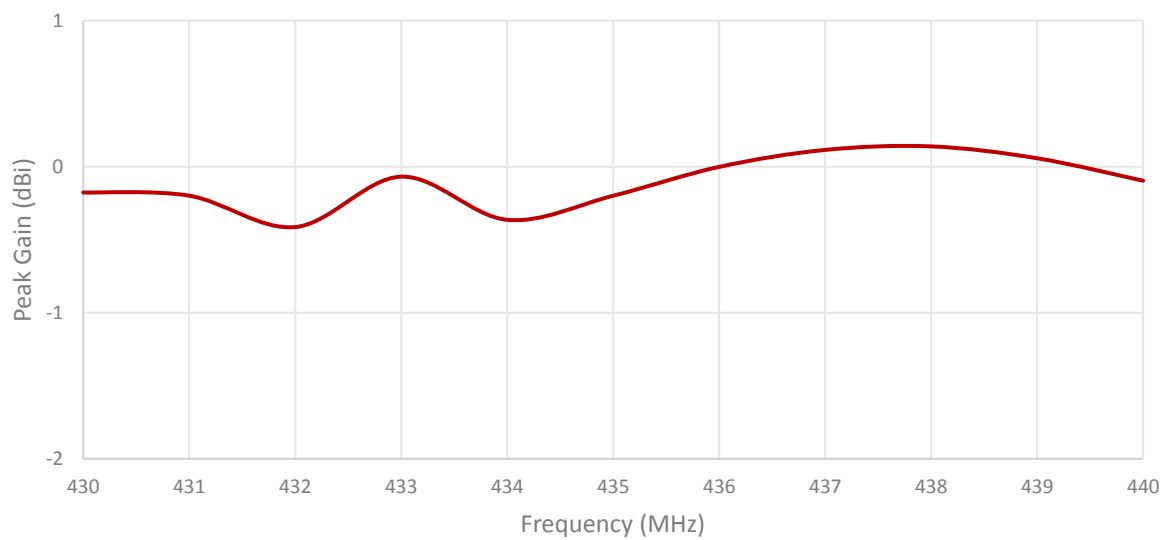
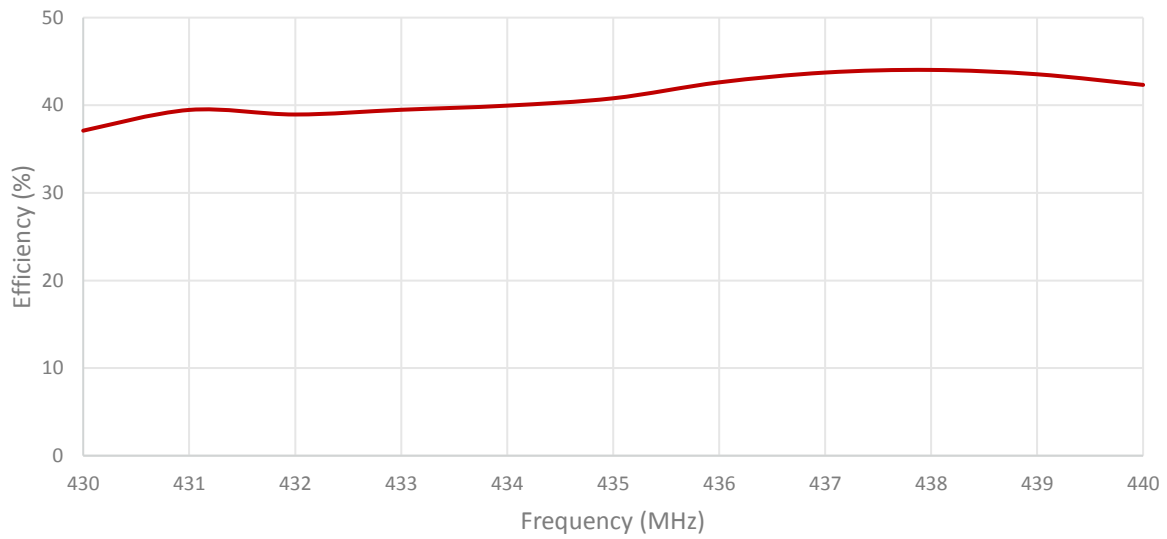
2. Mechanical and environmental specifications

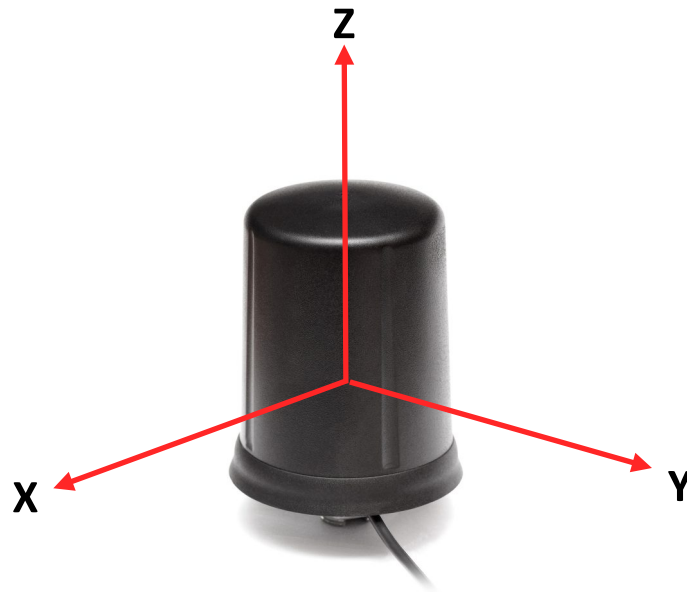
Specifications	2J7715B-433
Mounting Type	Screw Mount
Dimensions (mm)	Ø 60 x 69
Max. Tighten Torque (Nm)	6 Nm
Radome Type	ASA
Radome Color	Black
Antenna Base	Zamak
Operating Temperature (C)	-40 to +85
Storage Temperature (C)	-40 to +85
Substance Compliance	RoHS
Certificates	IP67, IP69, IK09

3. Antenna parameters

Cable 1: 433 MHz ISM

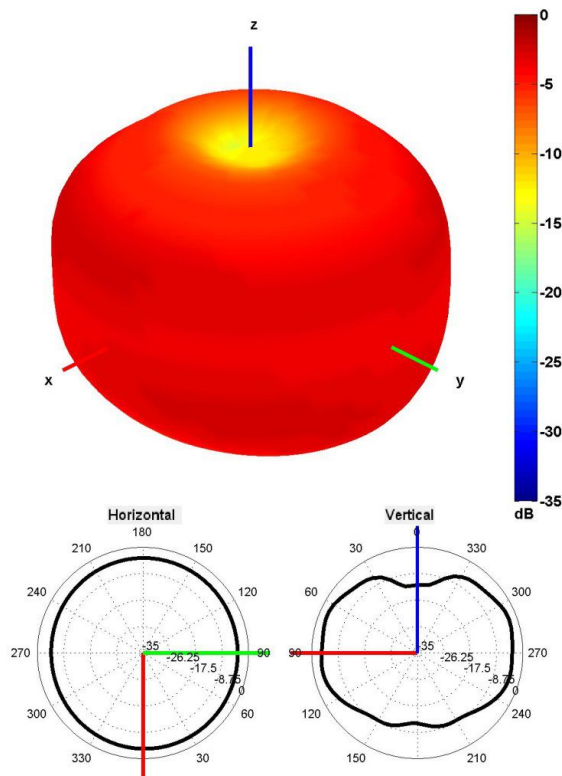






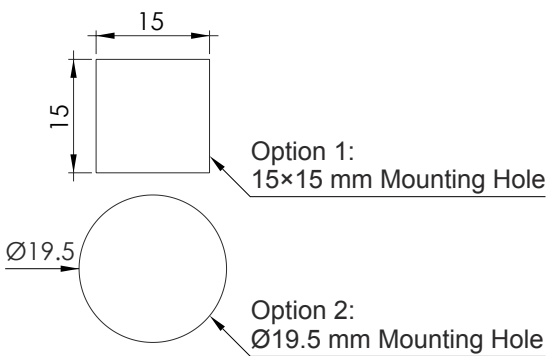
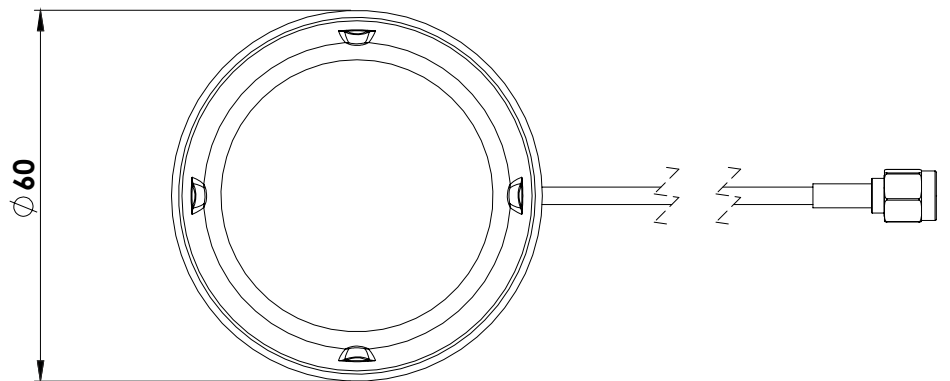
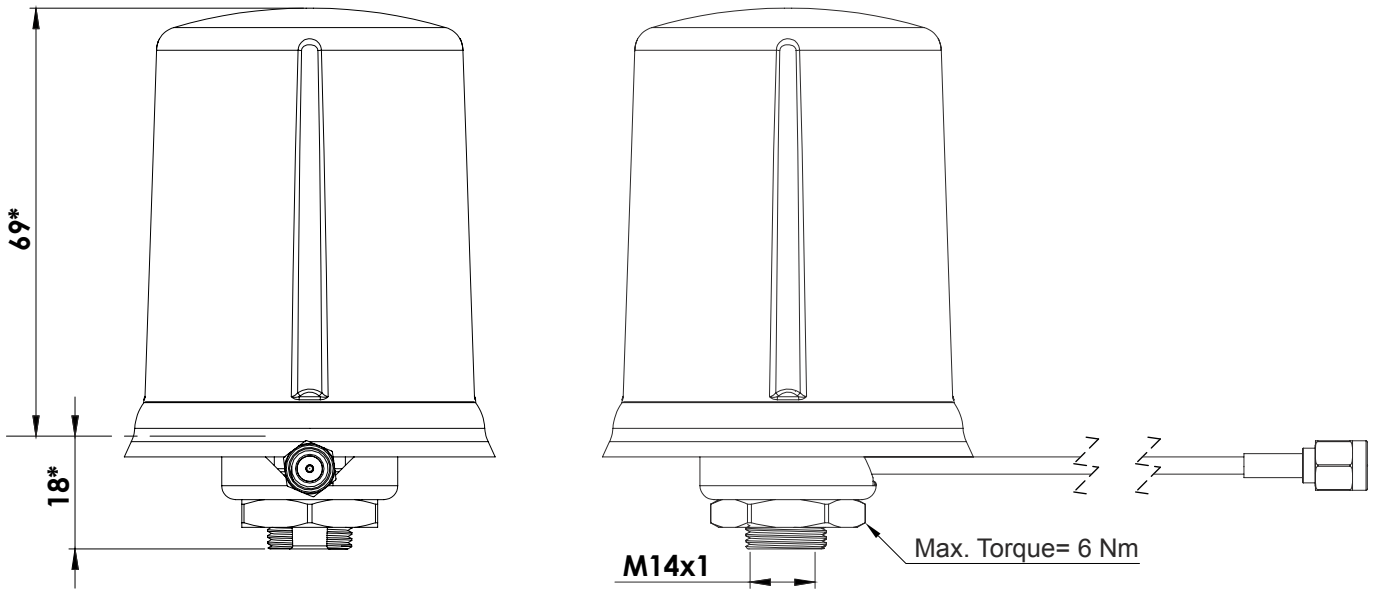
Radiation pattern reference

Cable 1: 433 MHz ISM



433 MHz Radiation pattern

4. Antenna drawings



Note: Dimensions are in millimeters
***Dimensions are after mounting**
****Max. Torque= 6 Nm**

5. Antenna Images

