

796381-2 ✓ ACTIVE

AMP | AMP CPC

TE Internal #: 796381-2

Unscreened, Cable Clamping Shell, .453 in [11.51 mm] Cable Entry,
Nylon, Right Angle, Shell Size 17, AMP CPC

[View on TE.com >](#)



Connectors > Connector Accessories > Connector Backshells > CPC Cable Clamps



Connector Backshell Product Style: **Unscreened**

Connector Backshell Product Type: **Cable Clamping Shell**

Cable Entry Diameter: **11.51 mm [.453 in]**

Primary Product Material: **Nylon**

Body Orientation: **Right Angle**

[All CPC Cable Clamps \(25\)](#)

Features

Product Type Features

Connector Backshell Product Style	Unscreened
Connector Backshell Product Type	Cable Clamping Shell

Body Features

Primary Product Color	Black
Primary Product Material	Nylon

Mechanical Attachment

Thread Size	15/16-20 UNEF-2B
-------------	------------------

Housing Features

Body Orientation	Right Angle
Compatible With Connector Shape	Circular

Dimensions

Cable Entry Diameter	11.51 mm[.453 in]
----------------------	-------------------



Operation/Application

Compatible With Connector Shell Size	17
--------------------------------------	----

Industry Standards

UL Flammability Rating	UL 94V-0
------------------------	----------

Packaging Features

Packaging Quantity	1
Packaging Method	Individual

Product Compliance

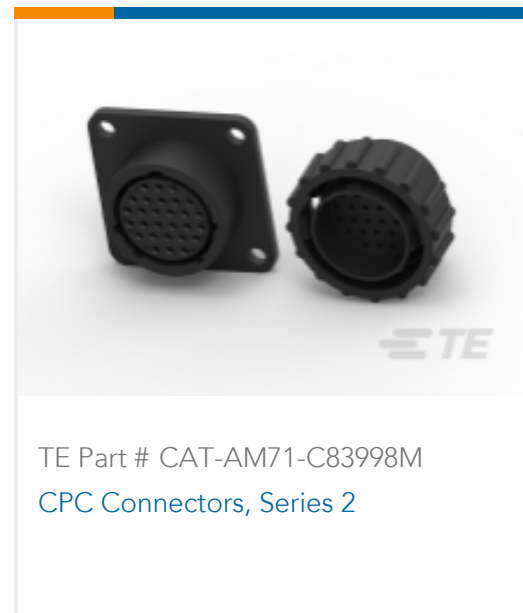
[For compliance documentation, visit the product page on TE.com>](#)

EU RoHS Directive 2011/65/EU	Compliant
EU ELV Directive 2000/53/EC	Compliant
China RoHS 2 Directive MIIT Order No 32, 2016	No Restricted Materials Above Threshold
EU REACH Regulation (EC) No. 1907/2006	Current ECHA Candidate List: JUNE 2023 (235) Candidate List Declared Against: JUNE 2023 (235) Does not contain REACH SVHC
Halogen Content	Not Low Halogen - contains Br or Cl > 900 ppm.
Solder Process Capability	Not applicable for solder process capability

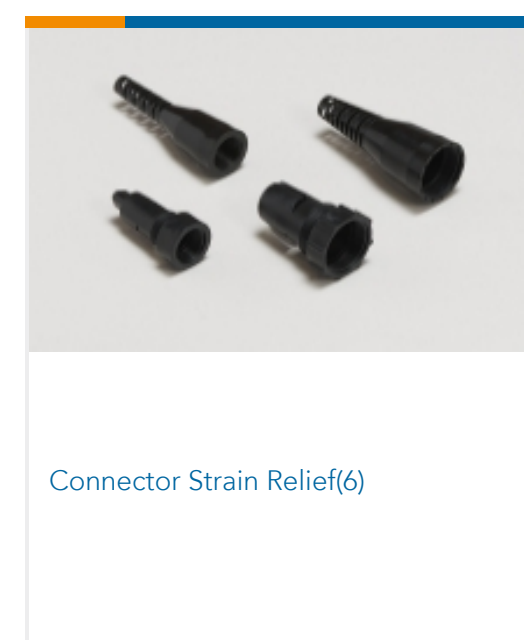
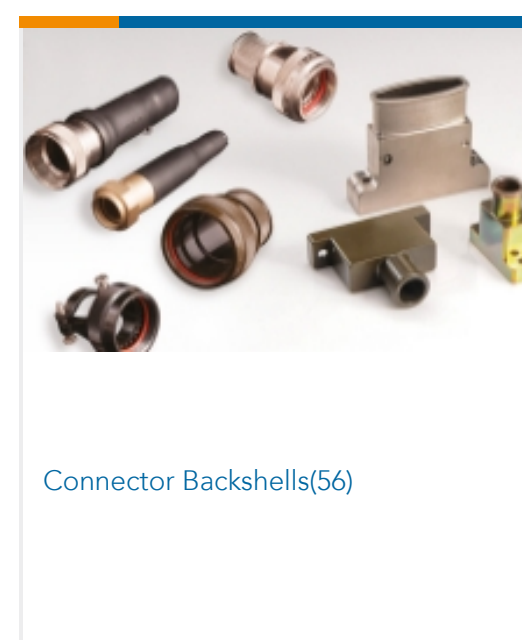
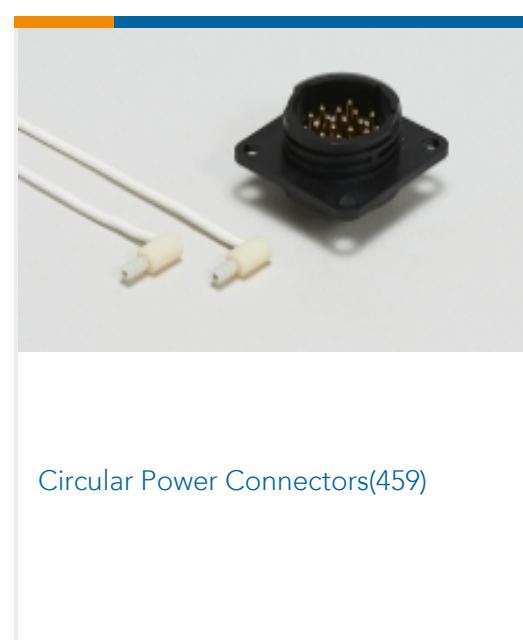
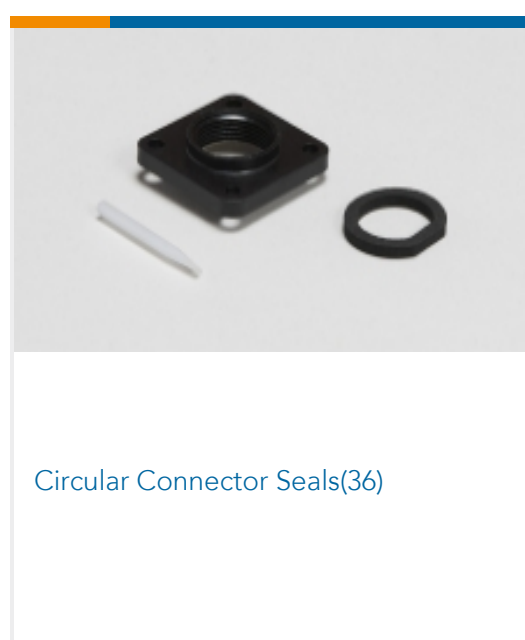
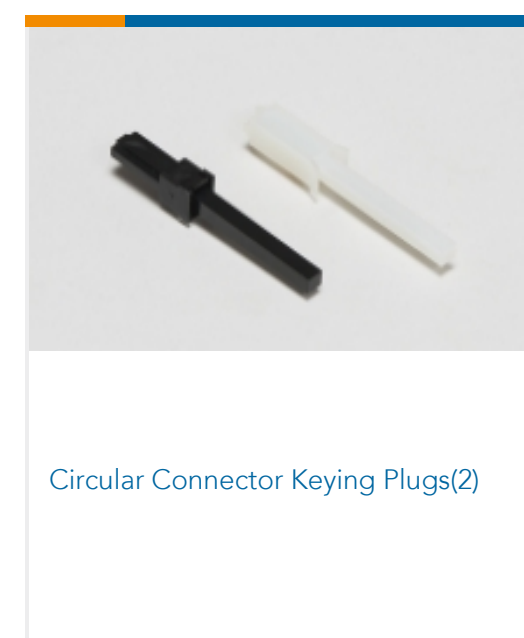
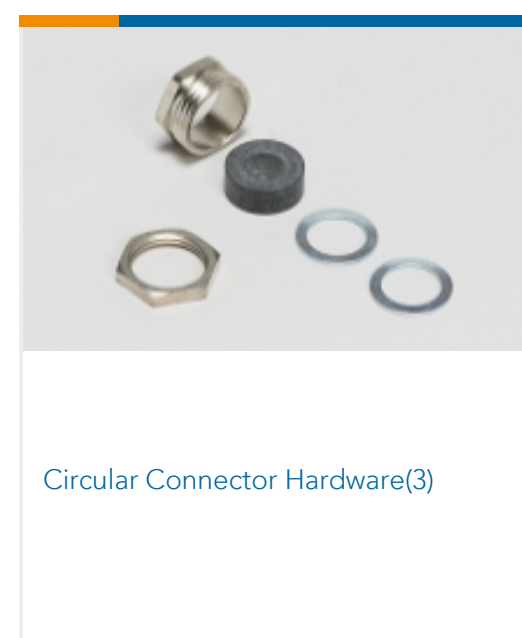
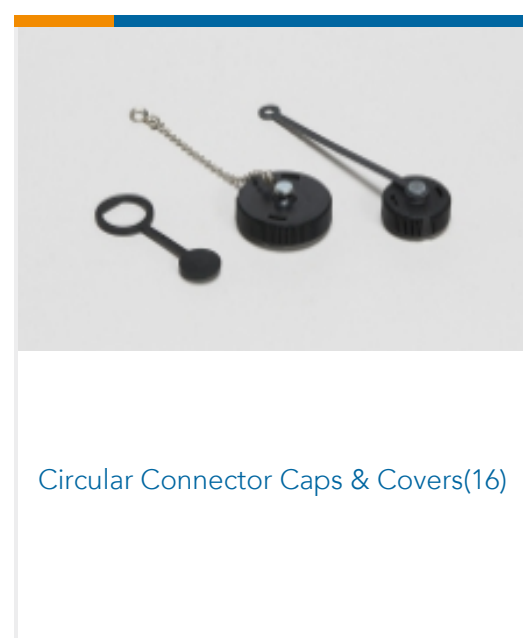
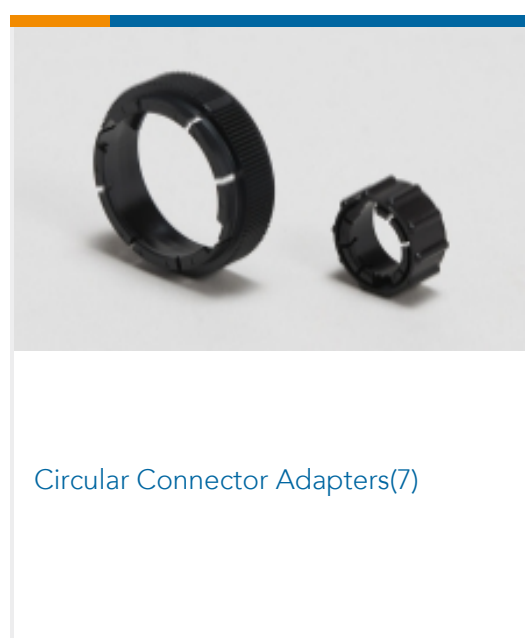
Product Compliance Disclaimer

This information is provided based on reasonable inquiry of our suppliers and represents our current actual knowledge based on the information they provided. This information is subject to change. The part numbers that TE has identified as EU RoHS compliant have a maximum concentration of 0.1% by weight in homogenous materials for lead, hexavalent chromium, mercury, PBB, PBDE, DBP, BBP, DEHP, DIBP, and 0.01% for cadmium, or qualify for an exemption to these limits as defined in the Annexes of Directive 2011/65/EU (RoHS2). Finished electrical and electronic equipment products will be CE marked as required by Directive 2011/65/EU. Components may not be CE marked. Additionally, the part numbers that TE has identified as EU ELV compliant have a maximum concentration of 0.1% by weight in homogenous materials for lead, hexavalent chromium, and mercury, and 0.01% for cadmium, or qualify for an exemption to these limits as defined in the Annexes of Directive 2000/53/EC (ELV). Regarding the REACH Regulation, the information TE provides on SVHC in articles for this part number is based on the latest European Chemicals Agency (ECHA) 'Guidance on requirements for substances in articles' posted at this URL: <https://echa.europa.eu/guidance-documents/guidance-on-reach>

Compatible Parts



Also in the Series | AMP CPC

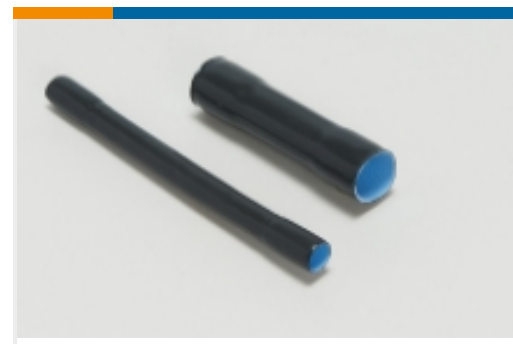




Insertion & Extraction Tools(1)

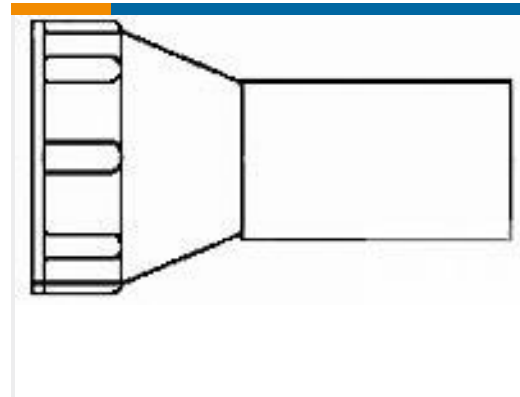
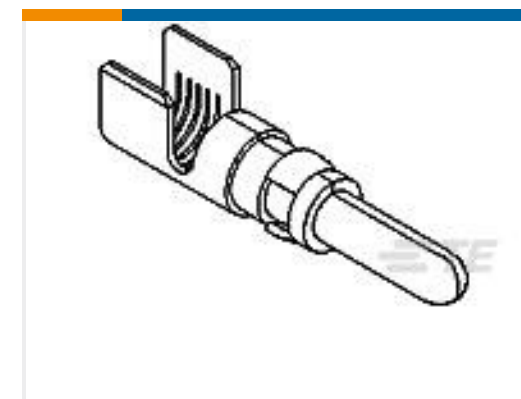
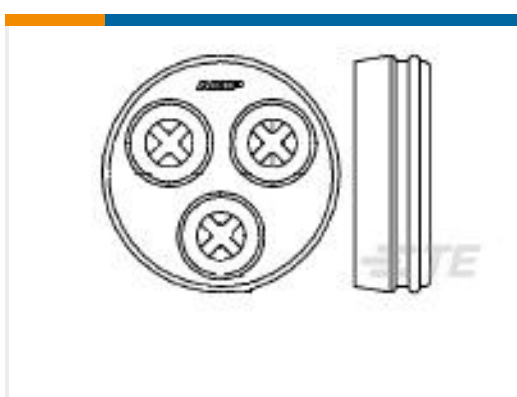


Power Contacts(6)



Sealing Sleeves(2)

Customers Also Bought

TE Part #1546348-2
CPC Cable ClampsTE Part #213933-1
CPC, STRAIN RELIEF, SIZE 17TE Part #87456-1
06 MODIV HSG COMP DR .100CLTE Part #770075-1
04P .093 COMM P&S RECPT HSGTE Part #770086-1
06P .093 COMM P&S RECPT HSGTE Part #770092-1
09P .093 COMM P&S RECPT HSGTE Part #1-87230-0
20 MODII HDR DRRA UNSHRD .100TE Part #213845-4
PWRBAND PIN ASY 14-12 L.P.TE Part #213899-1
CPC SEAL ASSY KIT, SRS 5, 17-3

Documents

Product Drawings

R/A STRN RELIEF KIT, SZ 17, CPC

English

CAD Files

Customer View Model

ENG_CVM_CVM_796381-2_D.2d_dxf.zip

English

3D PDF



3D

Customer View Model

[ENG_CVM_CVM_796381-2_D.3d_igs.zip](#)

English

Customer View Model

[ENG_CVM_CVM_796381-2_D.3d_stp.zip](#)

English

By downloading the CAD file I accept and agree to the [Terms and Conditions](#) of use.

Product Environmental Compliance

[TE Material Declaration](#)

English