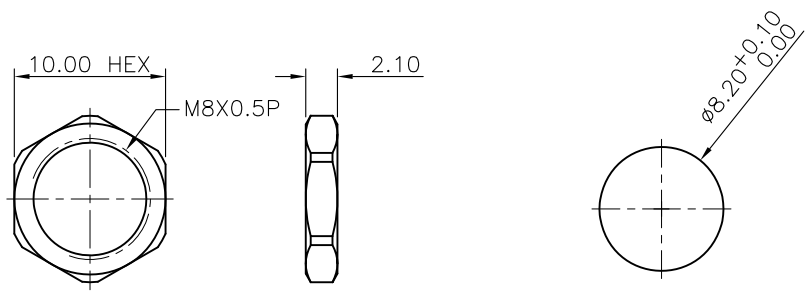
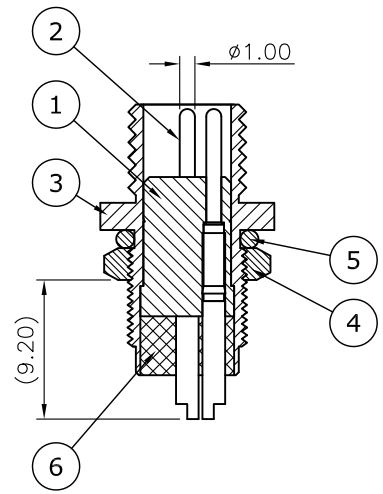
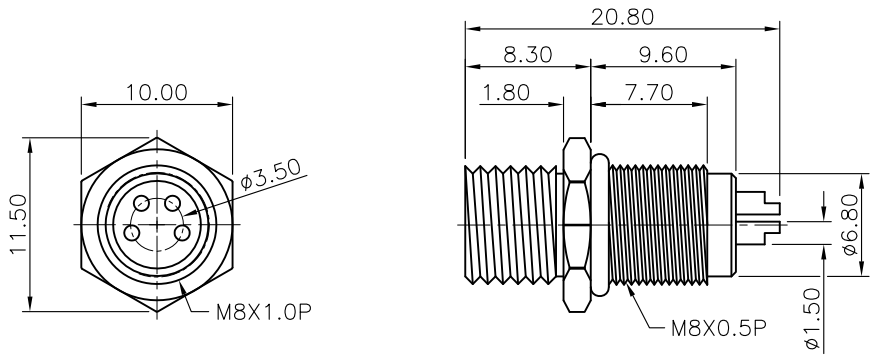


REV.	DESCRIPTION	DRAWN	DATE
1	INITIAL RELEASE	TIM	2016/08/23
2	ECR220421002	Fros	2022/04/21

SPECIFICATION:

1. CURRENT RATING: 3A
2. VOLTAGE: 50VAC/60VDC
3. WATER PROOF: IPX7
4. OPERATION TEMPERATURE: -40°C TO +85°C



NUT

RECOMMEND PANEL CUT OUT

6	EPOXY BASE	
5	O-RING	NBR, BLACK
4	NUT	BRASS, NICKEL PLATED
3	SHELL	BRASS, NICKEL PLATED
2	CONTACT	Brass, 10u" GOLD PLATED UNDER NICKEL
1	HOUSING	PBT, UL94V-0, BLACK

NO.		PART NAME	DESCRIPTION
UNLESS OTHERWISE SPECIFIED TOLERANCE			
UNIT:	DECIMAL	LINEAR	ANGLES
mm	X.	±0.50	±5°
	X.X	±0.25	±3°
	X.XX	±0.12	±1°
DRAWN		Tim	2016/08/23
CHECKED		Fros	2016/08/23
APPROVED		Ken	2016/08/23
SCALE		SHEET	SIZE
2/1		1/1	A4
DRAWN NAME:		M8 A-Code Receptacle, 4Pin Male Solder Type Rear Fastened	
PRODUCT NO.		219A-04MAR	
FILE NAME		219A-04MAR_B_2	



WWW.ATTEND.COM.TW