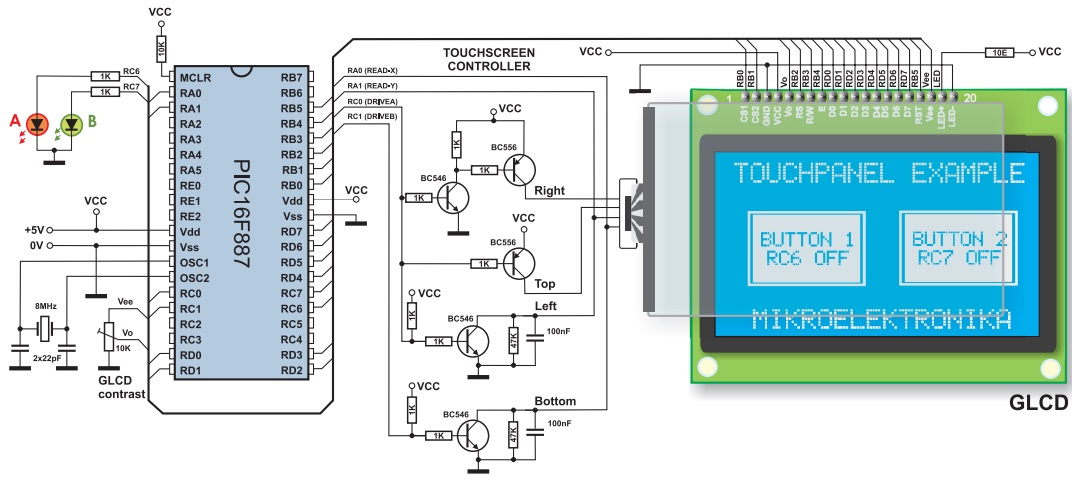


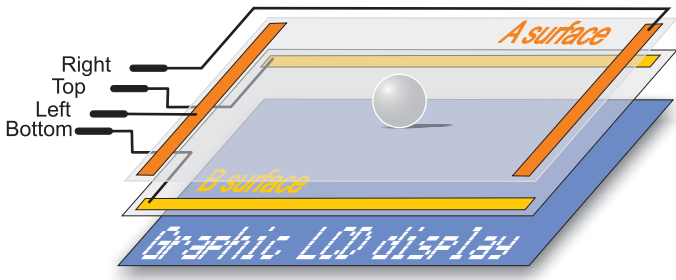
### EXAMPLE 15

#### Use a touch panel

A touch panel is a thin, self-adhesive transparent panel placed over the screen of a graphic LCD. It is very sensitive to pressure so that even a soft touch causes some changes on the output signal. There are a few types of touch panel. The simplest one is a resistive touch panel.



It consists of two transparent rigid foils, forming a ‘sandwich’ structure, that have resistive layers on their inner sides. The resistance of these layers usually does not exceed 1K. The opposite sides of these foils have contacts available for use via a flat cable.



The process of determining coordinates of the point in which the touch panel is pressed can be broken into two steps. The first one is the determination of the X coordinate and the second one is the determination of the Y coordinate of the point.