

# 1/2/4 Chs keyfob transmitters with HT12E encoder

TX12E-1C-SAW-433  
TX12E-2C-SAW-433  
TX12E-4C-SAW-433



## Descrizione

Trasmittitore palmare RF con risonatore SAW, a 1-2-4 canali.

Ideale per applicazioni ove si richiedano comandi codificati, alta efficienza e bassa emissione di spurie.

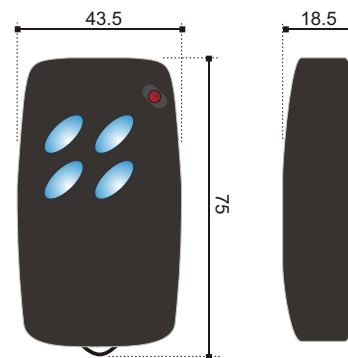
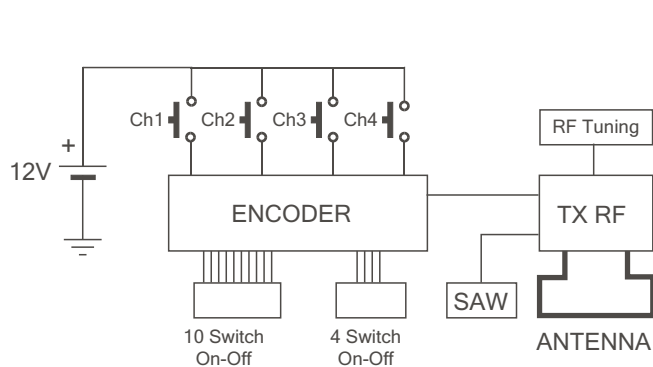
Conforme alle Normative Europee.

## Description

1/2/4 channels RF transmitters with SAW filter oscillator.

Ideal for remote control applications. High efficiency and low spurious emission.

In compliance with European Normative.



■ All dimensions are in millimeters

## Specifiche Tecniche / Technical Specification

		Ta = 25 °C			
Caratteristiche	Characteristics	Min	Typ	Max	Unit
Alimentazione con batteria	Battery supply		12		Vdc
Corrente assorbita	Supply Current		7		mA
Frequenza portante RF	RF carrier frequency		433.92		MHz
Potenza irradiata	Effective radiated power			1	mW
Frequenza di clock encoder <sup>(1)</sup>	Encoder clock frequency <sup>(1)</sup>		1		kHz
Combinazioni	Codes			4096	
Temperatura di lavoro	Operating temperature range	-10		+55	°C

<sup>(1)</sup>Tolleranza: ±15%

<sup>(1)</sup>Tolerance: ±15%

# 1/2/4 Chs keyfob transmitters with HT12E encoder

## Modelli / Models

Part Number / Model



650200919  
mod.TX12E-1C-SAW-433

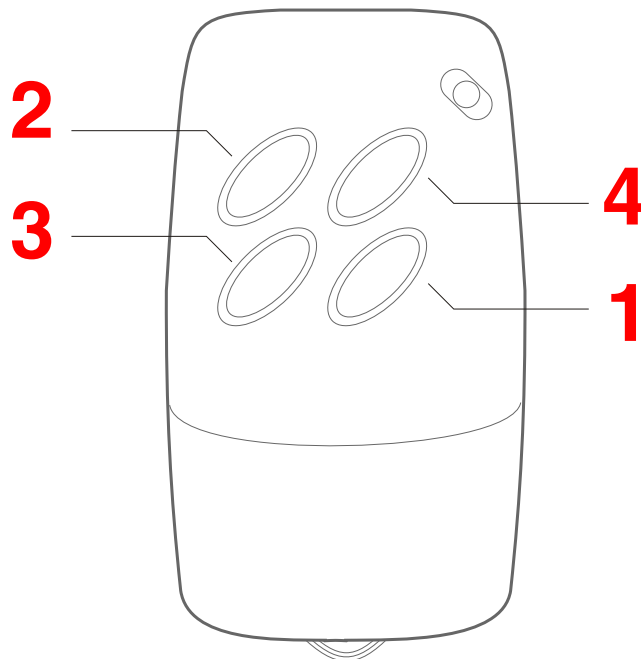


650200918  
mod.TX12E-2C-SAW-433



650200917  
mod.TX12E-4C-SAW-433

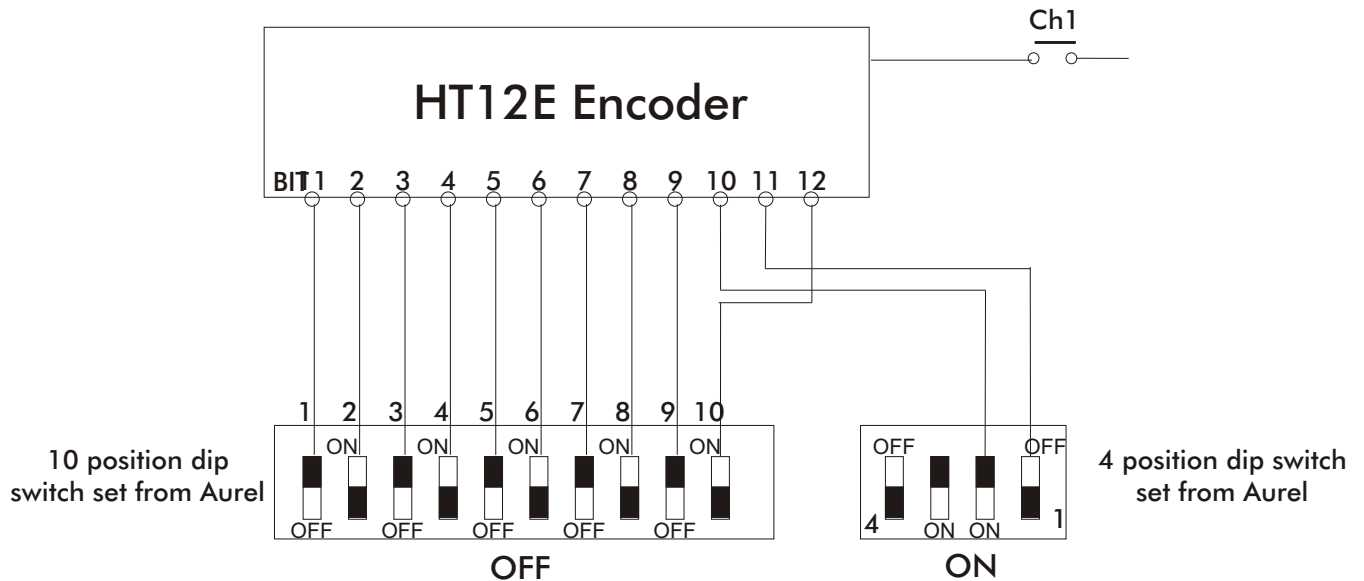
## Identificazione canali/tasti / Channels/Keys identification



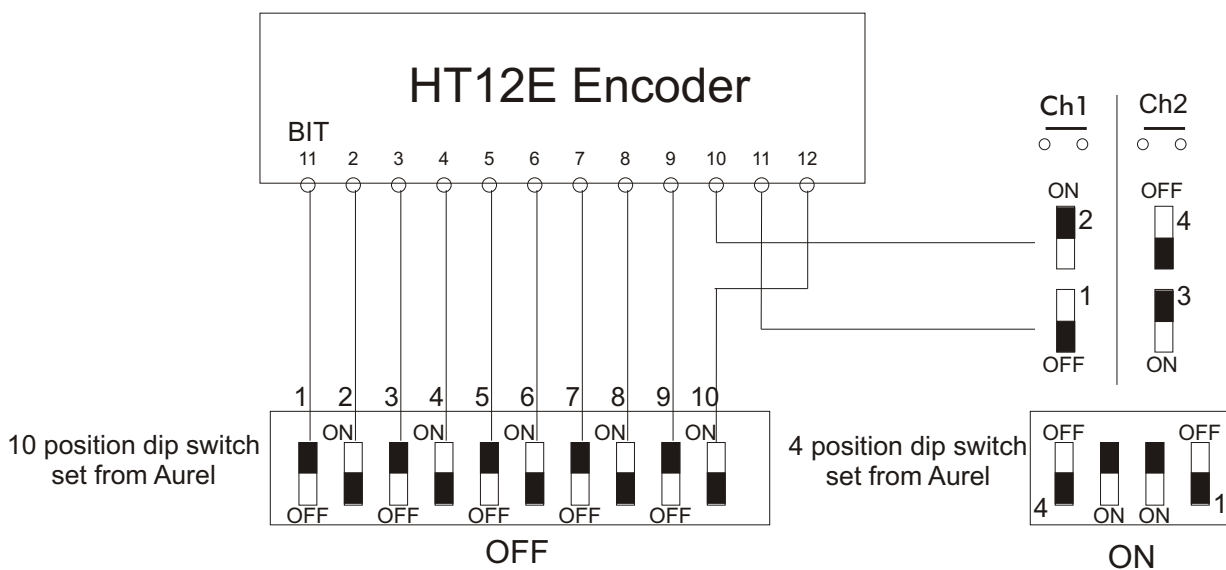
# 1/2/4 Chs keyfob transmitters with HT12E encoder

Combinazioni encoder / Encoder combination

## TX12E-1C-SAW-433



## TX12E-2C-SAW-433

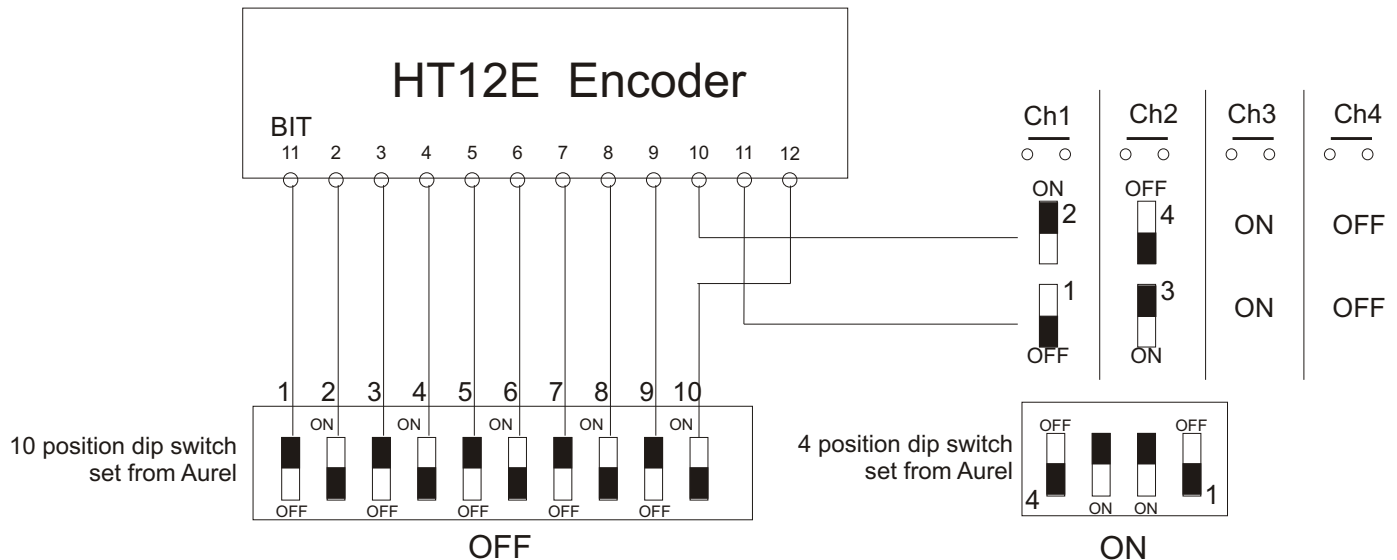


Vedi **NOTA**  
See **NOTE**

# 1/2/4 Chs keyfob transmitters with HT12E encoder

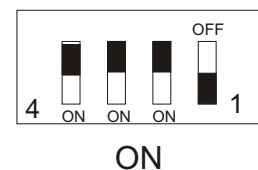
Combinazioni encoder / Encoder combination

## TX12E-4C-SAW-433



### NOTA

Per rendere compatibile (a livello di decodifica) il TX12E-2C-SAW-433 (cod. 650200918) con i precedenti TX3750-2C-SAW-433 (cod. 650200312) occorre impostare il dip switch interno a 4 vie come di lato indicato:



### NOTE

Compatibility (as decoder) of new TX12E-2C-SAW433 (cod. 650200918) with former TX3750-2C-SAW433 (cod. 650200312) is obtained if the 4 vias dip switch inside the keyfob is modified as shown:

