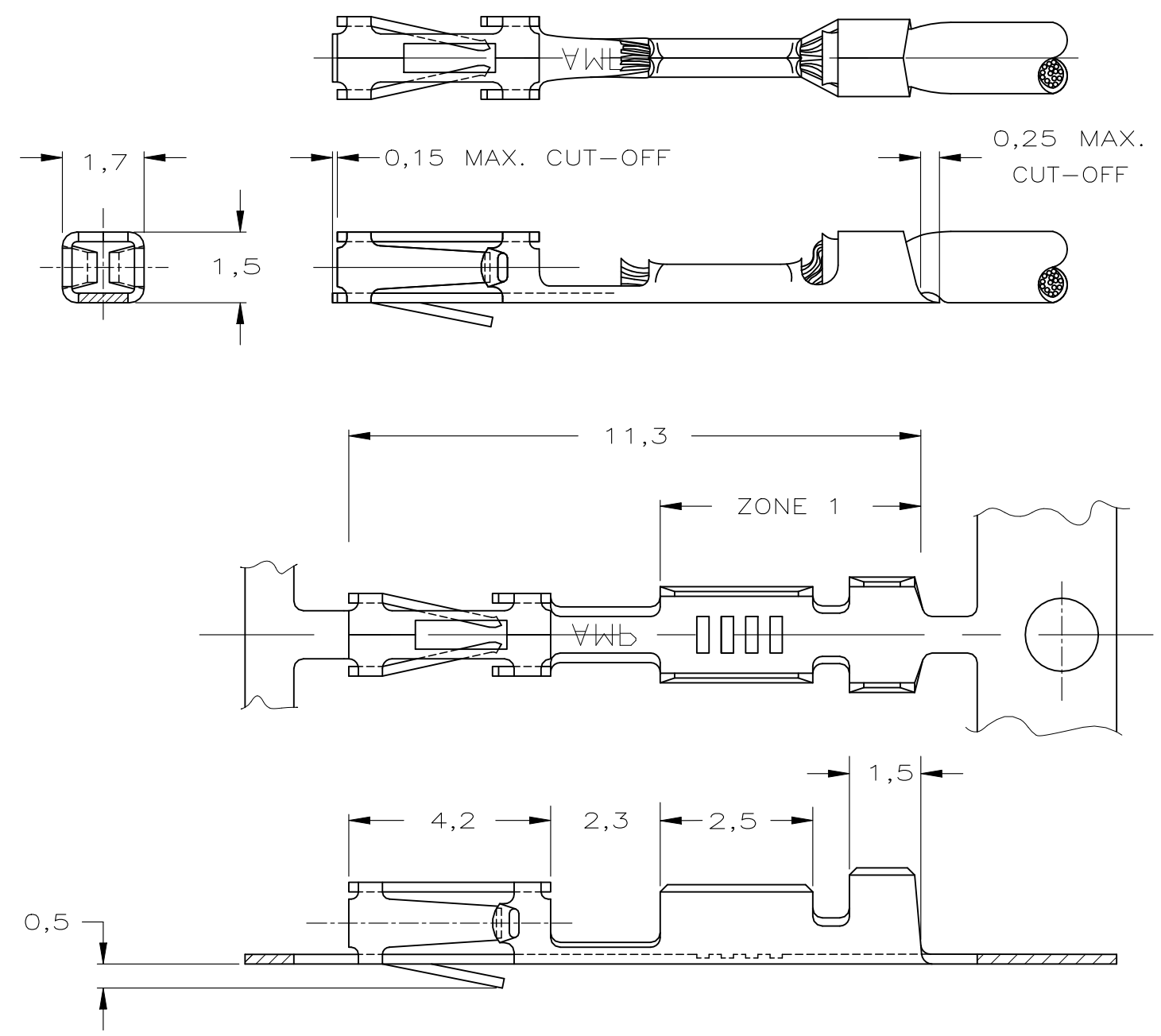


THIS DRAWING IS UNPUBLISHED. RELEASED FOR PUBLICATION
 © COPYRIGHT - By - ALL RIGHTS RESERVED.

LOC	DIST	REVISIONS					
		P	LTR	DESCRIPTION	DATE	DWN	APVD
-	-		B	STANDARDIZATION OF PLATING & SPLICING	13AUG2024	GVP	KJK

NOTES:

- 1 FOR MINI-APPLICATOR CRIMPING.
- 2 UNDERCOATING: 1,25µm Ni, SELECTIVE: 0,8µm Au, ZONE 1: 0,5µm MIN. GOLDFLASH.
- 3 UNDERCOATING: 1,25µm Ni, SELECTIVE: 0,8µm Au, GOLDFLASH ON REMAINDER (GOLDFLASH IS NOT MANDATORY ON THE PILOTED CARRIER STRIP).
- 4 ZONE 1: BRIGHT TIN/LEAD PLATED.
- 5 PRE-TIN PLATED 2,0µm.
- 6 MATERIAL: PHOSPHORBRONZE
- 7 SPLICING - MAXIMUM 1 LOOSE END PER REEL IS ALLOWED.



TIN	5	167024-3	167021-3
GOLD	3	167024-2	167021-2
GOLD	2	167024-1	167021-1
FINISH		LOOSE PIECE	PARTNUMBER

WIRE RANGE :
 0,03-0,09 mm² 28-32 AWG
 INSULATION RANGE :
 0,5-1,02 DIA. .020-.040 DIA.

THIS DRAWING IS A CONTROLLED DOCUMENT.		DWN J.v.LIEMPT 03 DEC 98	STE TE Connectivity	
DIMENSIONS: mm		CHK J.v.LIEMPT		
TOLERANCES UNLESS OTHERWISE SPECIFIED:		APVD E.LEIJTENS	NAME AMP MODU MOD.4 RECEPTACLE, S.C.P. STRIP	
0 PLC ± - 1 PLC ± - 2 PLC ± - 3 PLC ± - 4 PLC ± - ANGLES ± -		PRODUCT SPEC 108-25021	RESTRICTED TO	
MATERIAL -		FINISH -	APPLICATION SPEC 114-25003	SIZE A3
			WEIGHT -	CAGE CODE 00779
			DRAWING NO C-167021	
		CUSTOMER DRAWING		SCALE -
		SHEET 1 OF 1		REV B