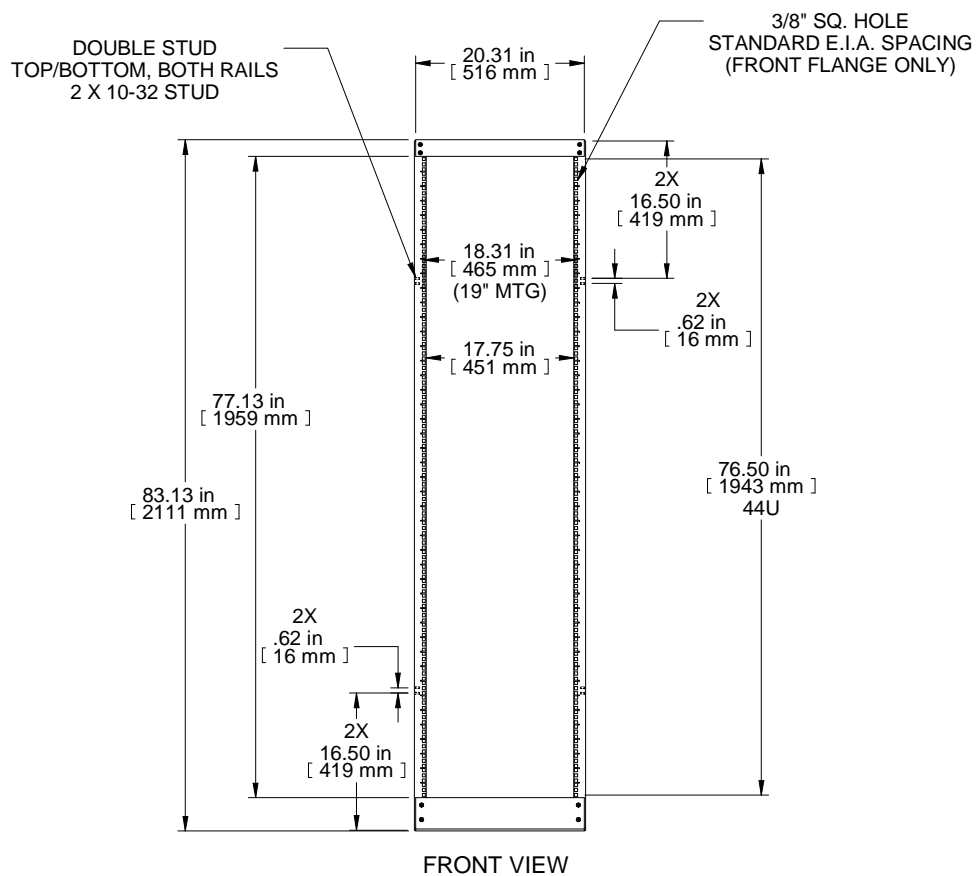
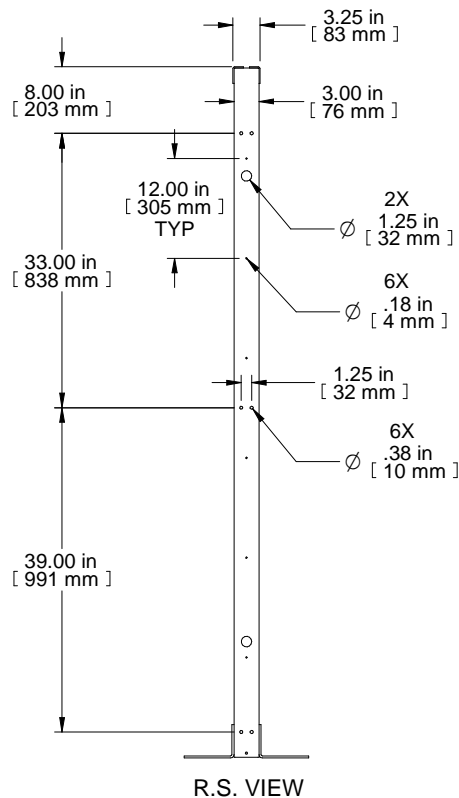


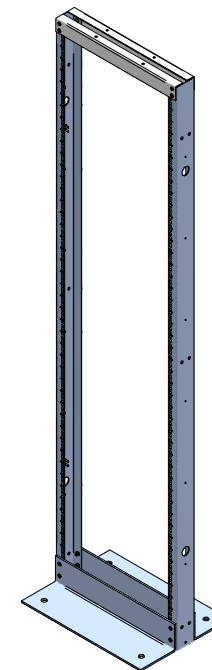
TOP VIEW



FRONT VIEW



R.S. VIEW



ISOMETRIC

PART NUMBERS	
DC2R44	PAINTED BLACK THIN FILM
NOTES	
Shipped Knock-Down for Handling Ease and Protection	
Self Centering Assembly Hardware Included	
See Hammond Website for Additional Accessories	
Français	
Pour tous les détails sur nos produits, svp veuillez consulter notre site www.hammondmfg.com	
Data subject to change without notice. Isometric drawing not to scale.	
Les données sont sujettes à changement sans préavis.	



HAMMOND MANUFACTURING®
www.hammondmfg.com

PART NO. **DC2R44**