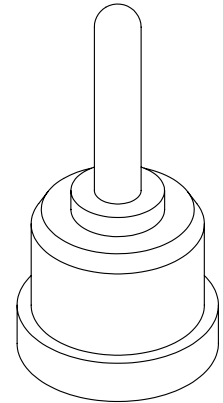
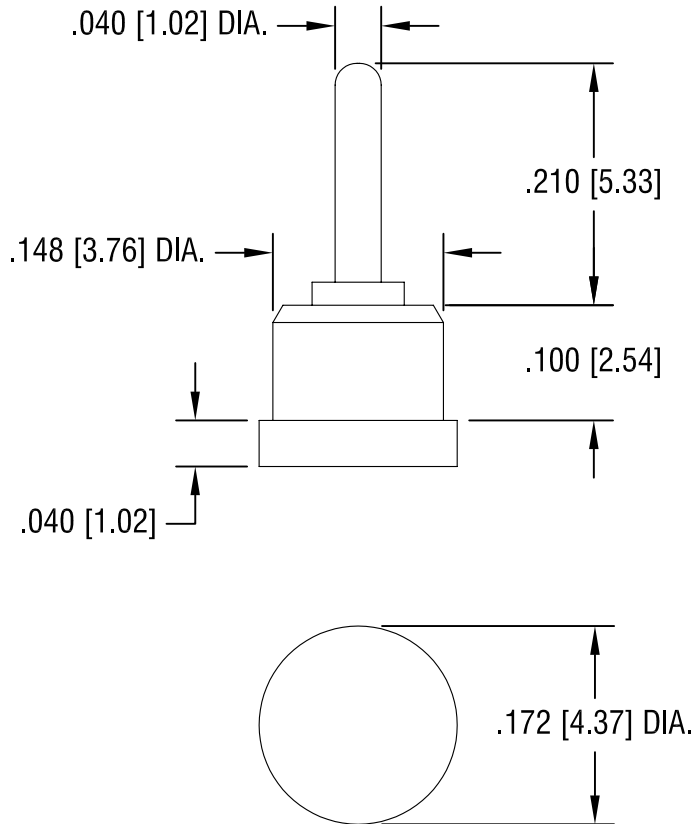
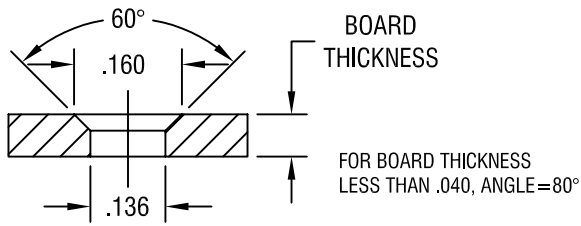


THIS DOCUMENT IS THE PROPERTY OF
KEYSTONE ELECTRONICS CORP. AND
SHALL NOT BE REPRODUCED, DISTRIBUTED
OR USED AS A BASIS FOR MANUFACTURE
WITHOUT PRIOR WRITTEN PERMISSION
FROM KEYSTONE ELECTRONICS CORP.

MOUNTING DETAIL



NOTES:

1. PIN: MAT'L - BRASS
FINISH: TIN
2. BUSHING: MAT'L - PTFE (TEFLON)
COLOR: WHITE

KEYSTONE ELECTRONICS CORP.

ASTORIA, N.Y. 11105-2017

PART NAME				PTFE INSULATED TERMINAL	
MATERIAL				AS NOTED	
FINISH		DRN BY	DATE	APP'D	
AS NOTED		N.T.	4.30.07	SCALE	
TOLERANCES		INCH	[MM]	CODE	DWG NO.
DECIMAL		± .005	[± 0.15]	C/M	11075
ANGULAR		± 1°			
UNLESS OTHERWISE SPECIFIED					

DATE	DESCRIPTION	REV.
------	-------------	------