

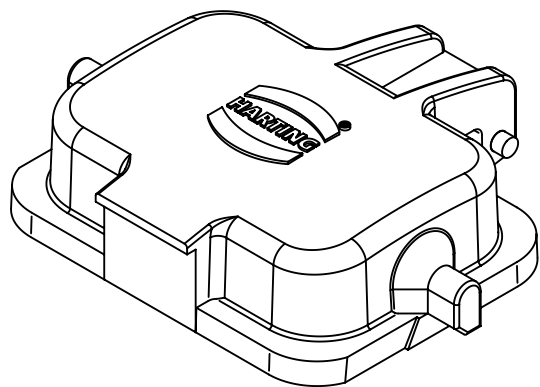
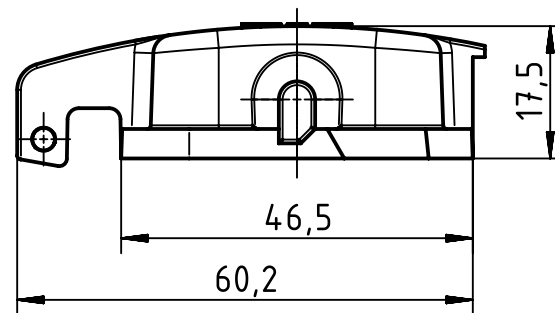
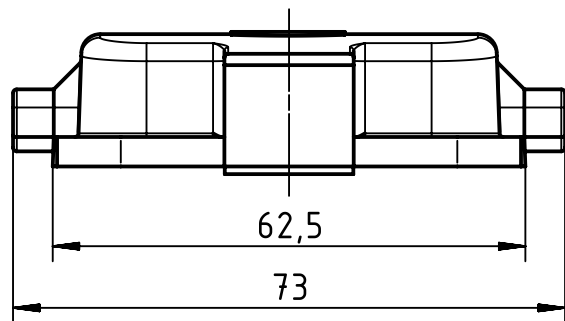
1 2 3 4 5 6

A

B

C

D



Coating	A=	mm <sup>2</sup>	V=	mm <sup>3</sup>	m=	g	Mat.
	All Dimensions in mm Original Size DIN A4		Scale 1:1	Free size tol.			Ref.
	All rights reserved	Created by HARLASSK	Inspected by SCHNIEDER	Standardisation SCHMIDTM	Date 2015-05-04	State Final Release	
Department EL PD - DE		Title Han 6 B PLASTIC PROTECT COVER				Doc-Key / ECM-Nr. 100087809/UGD/003/B 500000088820	
HARTING Electric GmbH & Co. KG D-32339 Espelkamp		Type TB	Number 09 30 006 5410			Rev. B	Page 1/1