

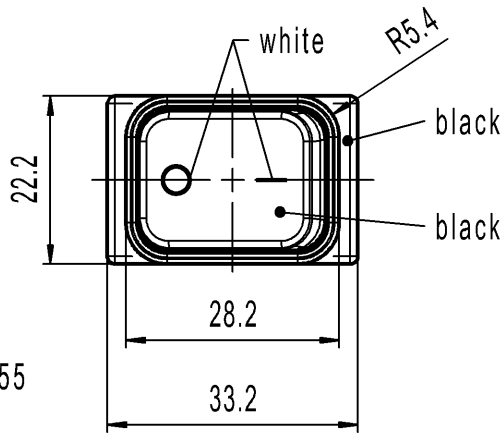
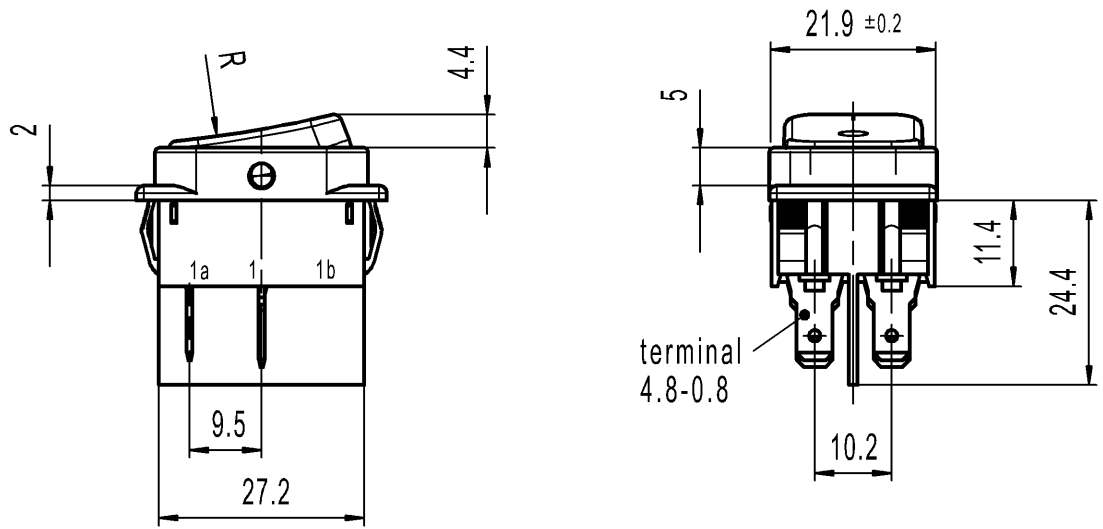
CONFIDENTIAL

VERTRAULICH


Alle Rechte bei Marquardt, auch fuer den Fall von Schutzrechtsanmeldungen. Jede Veruegungsbefugnis, wie Kopier- und Weitergaberecht, bei uns.

THIS DRAWING IS THE EXCLUSIVE PROPERTY OF MARQUARDT. WITHOUT THEIR CONSENT IT MAY NOT BE REPRODUCED OR GIVEN TO THIRD PARTIES.



A	recommended cut-out for snap-in fixing (edge opposite to snap-in direction)	1	2	3	4
		wall thickness	length of cut-out	width of cut-out	
		0.75 to 1.25	30.0 -0.1	22 +0.2	
		1.25 to 2	30.2 -0.1	22 +0.2	
		2 to 3	30.6 -0.1	22 +0.2	

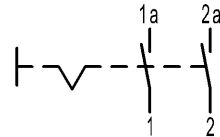


Marking:

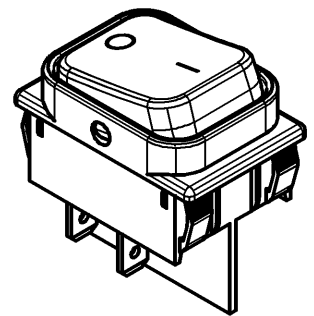

 1832.
 10(8)/250~5E4
 20(4)/250~ T105/55
 5/120A 250V~



16A 125-250V AC
 1/3HP 125V AC
 1HP 250V AC
 R11  

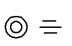
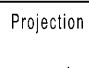



DPST
 Suitable for appliances of class II



Code of manufacture: place/year/week

On box: Customer Part No. see variant table

-	-	23 03 266	1832.6112-XX
Figure	Type	Customer Part No.	Art.No.-PI
Shape and location	Angle ± 2°	Sheet 01	Ident. K
	Edge tolerance	Format DIN A4	Document number 18326112
	Length	Projection 	Index a
	Radii	Scale 1:1	Appliance Switch
		All dimensions are in millimetres	
a	138977	System NX V1872	 MARQUARDT
	44407	Replacement of	
Index	MEC-No.	Zg.gl.Nr.v.16.08.2005	
	Date (YYYY-MM-DD)	Edited by	