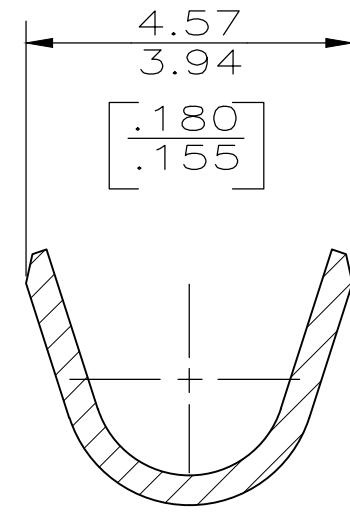
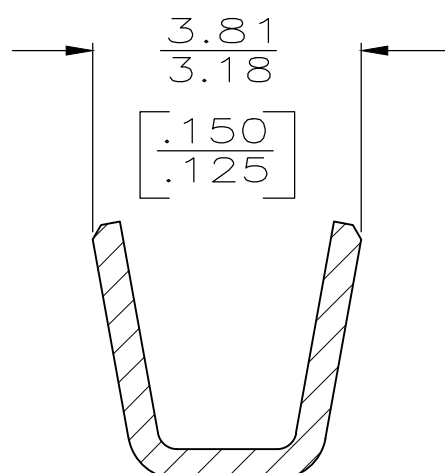
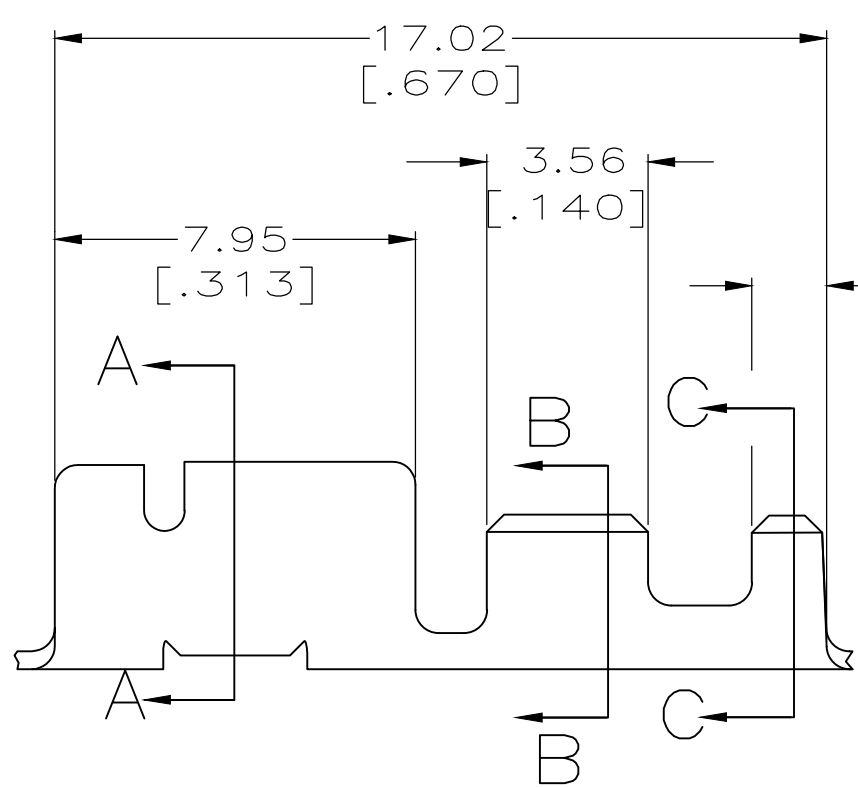
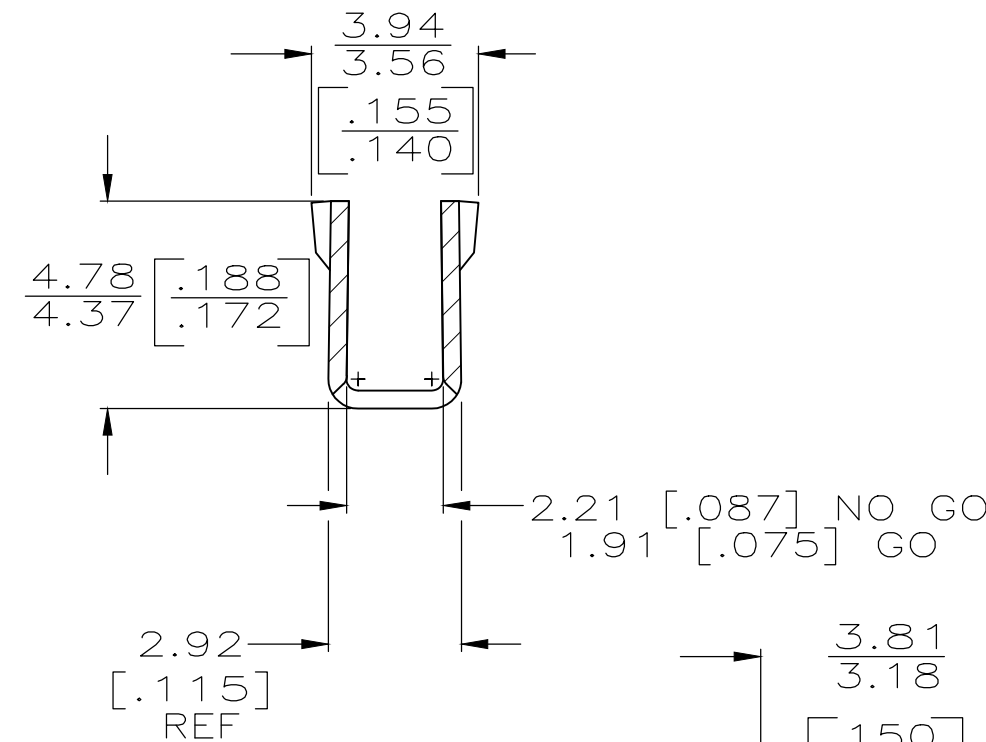
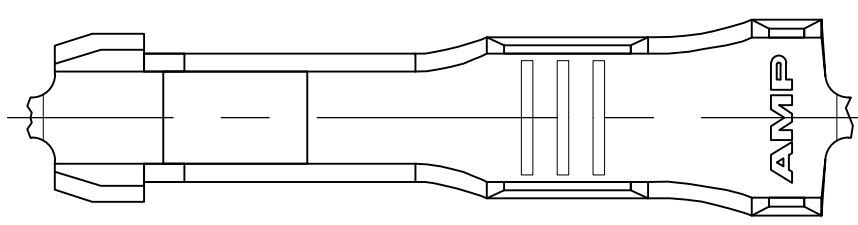


THIS DRAWING IS UNPUBLISHED. RELEASED FOR PUBLICATION
 © COPYRIGHT - By - ALL RIGHTS RESERVED.

REVISIONS				
P	LTR	DESCRIPTION	DATE	APVD
	AB3	REVISED PER ECR-18-016920	30OCT2018	MKD/PPS



- 1 CONTINUOUS STRIP ON REEL.
- 2 WIRE SIZE IS 0.82-1.31MM² [#18-#16 AWG].
- 3 INSULATION RANGE IS 1.50-2.62 [.059-.103] DIA.
- △4 ADDITIONAL PERFORMANCE REQUIREMENTS APPLY. CONSULT TE PRODUCT ENGINEERING FOR SPECIFICS.
- △5 OBSOLETE PARTS: OBSOLETE CIS STREAMLINING PER D.RENAUD/D.SINISI
- △6 QTY/REEL : 8500 PCS
- △7 QTY/REEL : 17000 PCS

0.406±0.025
[.016±.001]

△5 OBSOLETE

MATERIAL	FINISH	PART NO
H03 TIN-BRASS.	-	△6 62131-8
COPPER ALLOY	POST TIN PLATED	△4 62131-7
H03 PHOS BRONZE	POST TIN PLATED	△4 △7 62131-6
H03 TIN-BRASS.	-	△7 62131-5
H03 TIN-BRASS.	POST TIN PLATED	△7 62131-3

THIS DRAWING IS A CONTROLLED DOCUMENT.		DWN 20/JAN/95 PHILLIP M FORTNEY	STE TE Connectivity	
		CHK 20/JAN/95 JEFF R RUTH		
DIMENSIONS: mm [INCHES]	TOLERANCES UNLESS OTHERWISE SPECIFIED:	APVD 20JAN95 R KUZO	NAME RECEPTACLE, CLUSTER PIN, 2.29 [.090] DIA	
	0 PLC ± -	PRODUCT SPEC 108-2008	RESTRICTED TO	
	1 PLC ± -	APPLICATION SPEC 114-2019	SIZE A3	CAGE CODE 00779
MATERIAL SEE TABLE	FINISH SEE TABLE	WEIGHT -	DRAWING NO C-62131	SCALE 4:1
CUSTOMER DRAWING			SHEET 1 OF 1	REV AB3