

2J1002B-2.4

2.4 GHz ISM Screw Mount

Key Features

2.4 GHz ISM

- 2410-2490 MHz

Screw Mount

Ground Plane Dependent

Customizable Cable and Connector

Dimensions 50 x Ø16 mm



1. Antenna and electrical specifications

| Parameters | 2.4 GHz ISM Antenna |
|-----------------------------|---|
| Standards | WiFi, BT, ZigBee, ISM |
| Band (MHz) | 2.4 GHz |
| Frequency (MHz) | 2410-2490 |
| Return Loss (dB) | ~-12.4 |
| VSWR | ~1.8:1 |
| Efficiency (%) | ~68.1 |
| Peak Gain (dBi) | ~2.9 |
| Average Gain (dB) | ~-1.7 |
| Impedance (Ohm) | 50 |
| Polarisation | Linear |
| Radiation Pattern | Omni-Directional |
| Max. Input Power (W) | 25 |
| Connector Type | Most RF Connectors (SMA-RP Male Standard) |
| Cable Length | Any Cable Length (300cm Standard) |
| Cable Type | Other Cables Available (LL100 Standard) |

Antenna Measurement Conditions:

Mounted on 30 x 30 cm Metal Plate

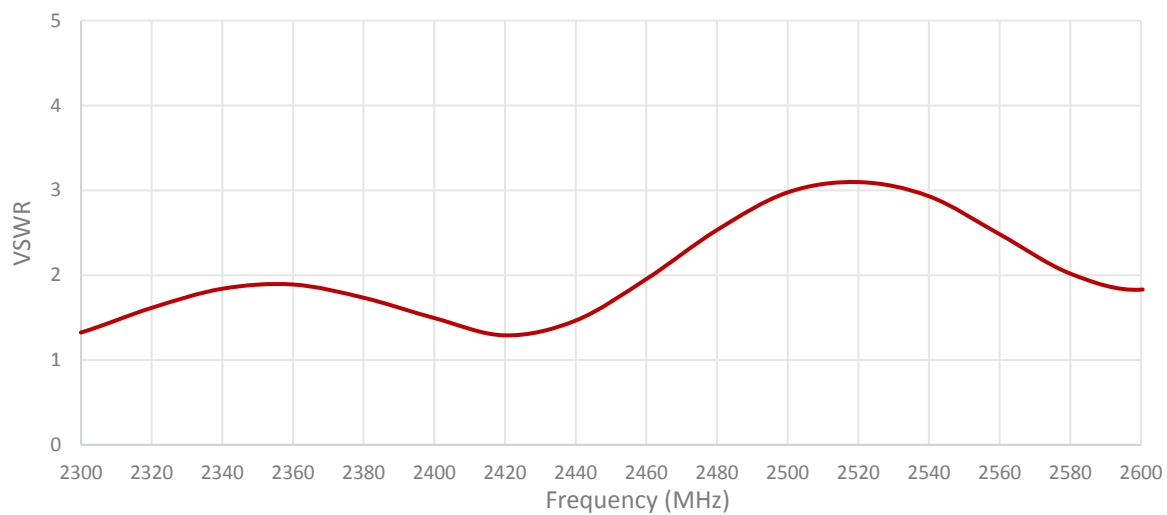
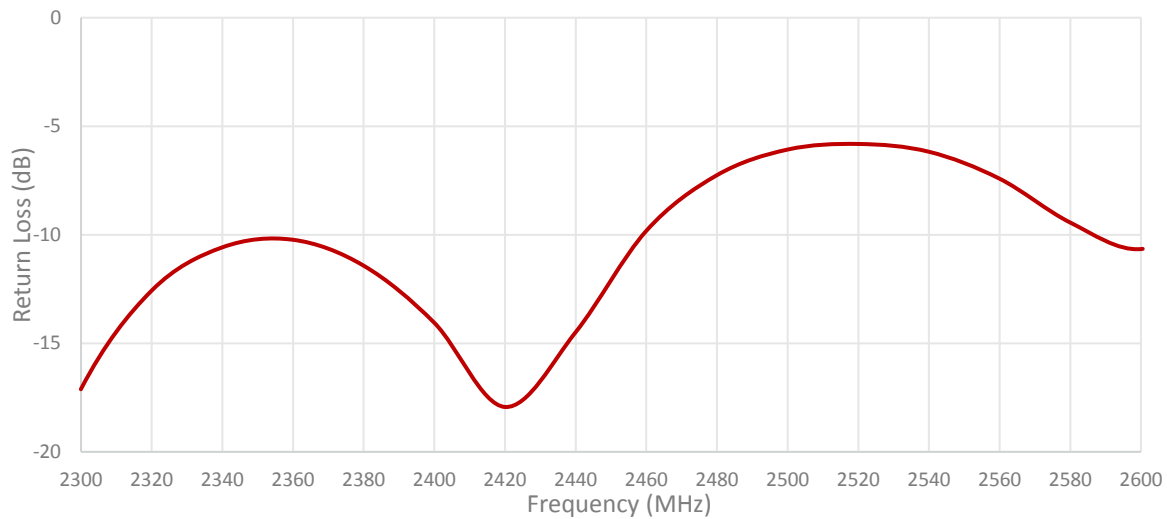
100 cm of LL100 Cable

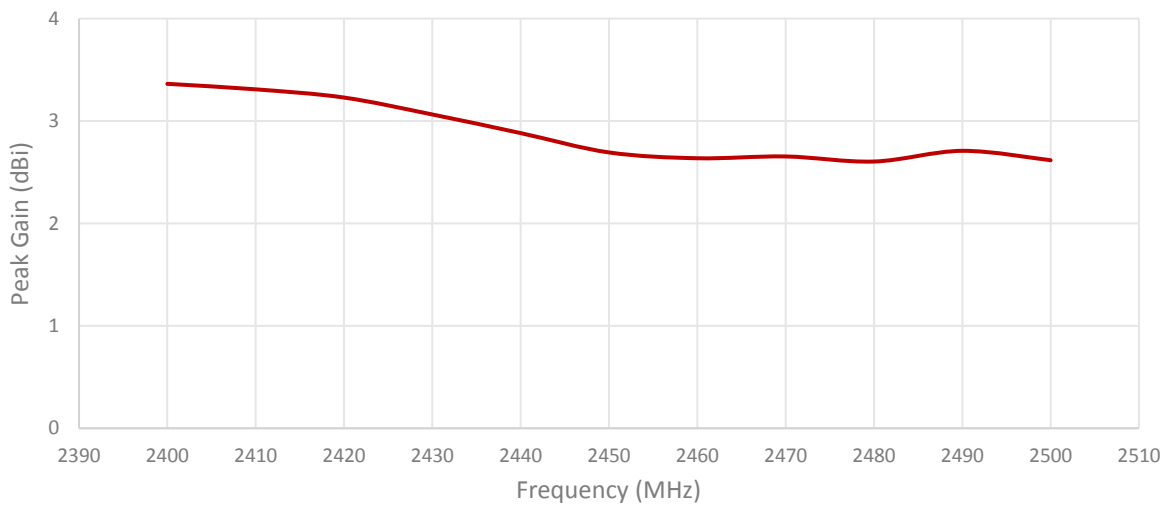
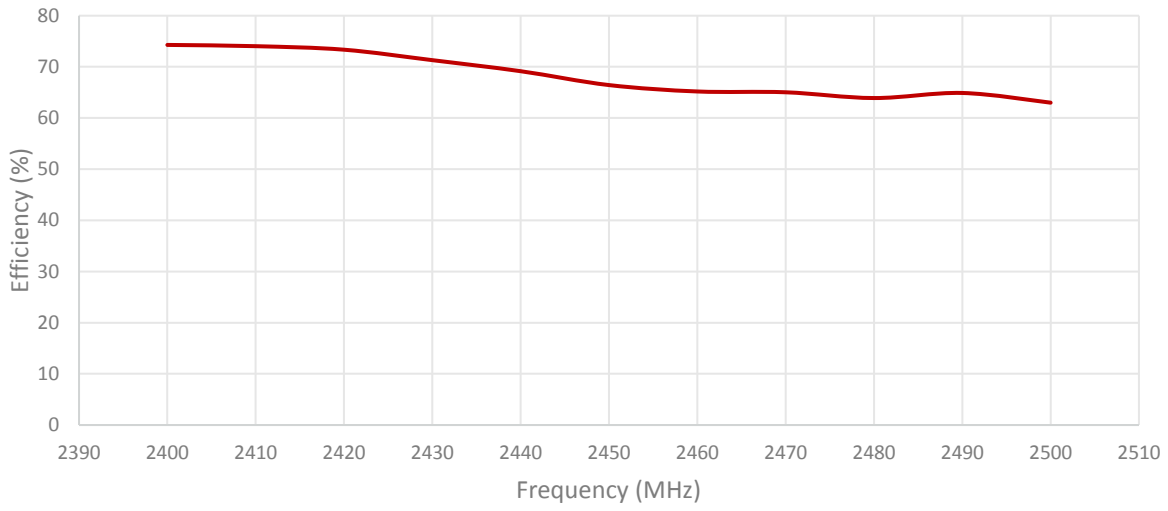
Measured in Certified CTIA 3D Anechoic Chamber

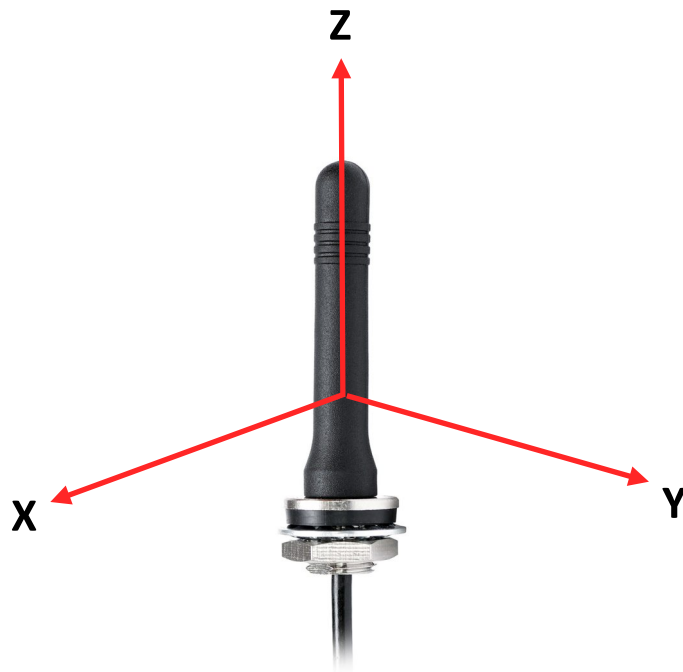
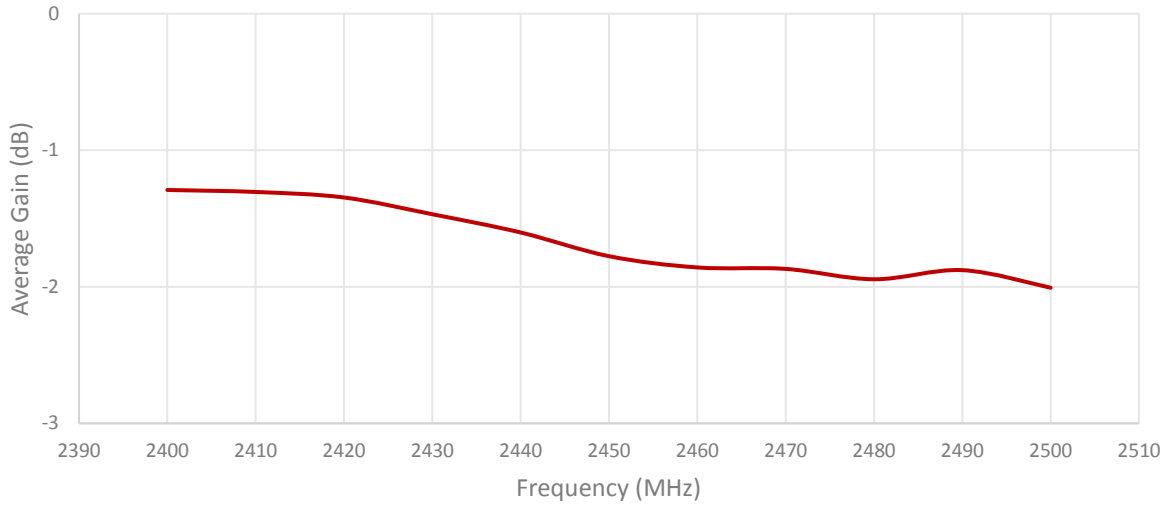
2. Mechanical and environmental specifications

| Specifications | 2J1002B-2.4 |
|----------------------------------|-------------|
| Mounting Type | Screw Mount |
| Dimensions (mm) | 50 x Ø16 |
| Max. Tighten Torque (Nm) | 4 Nm |
| Radome | TPE |
| Radome color | Black |
| Operating Temperature (C) | -40 to +85 |
| Storage Temperature (C) | -40 to +85 |
| Substance Compliance | RoHS |

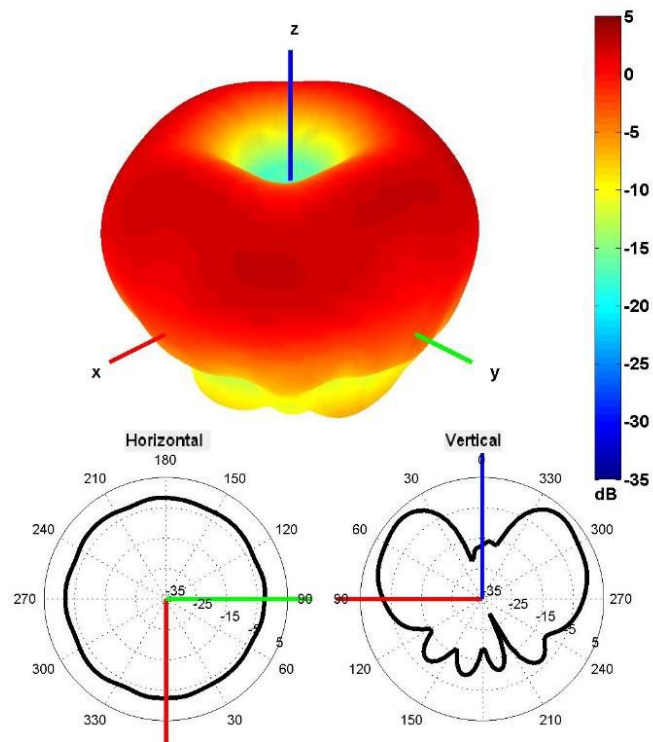
3. Antenna parameters





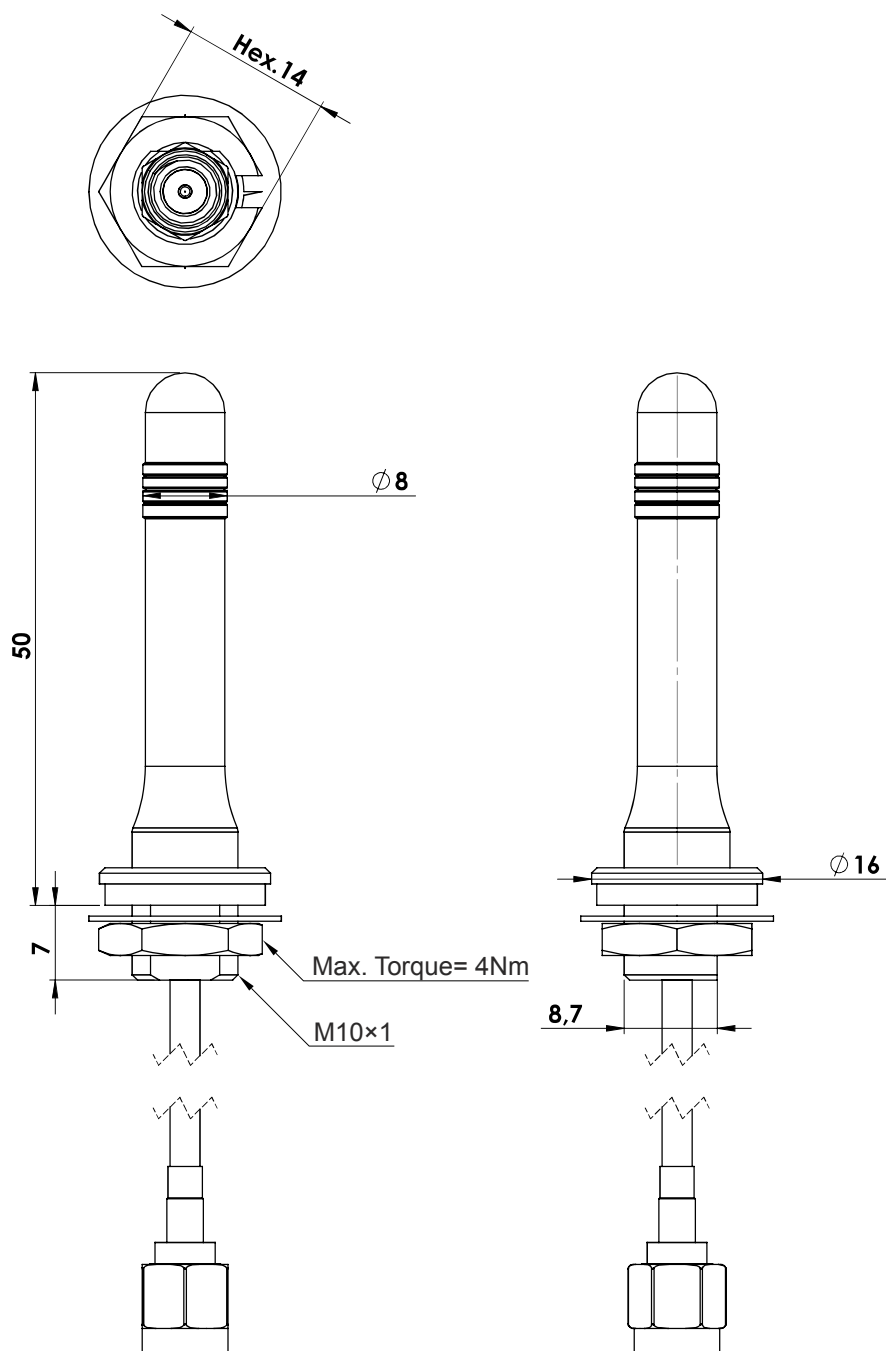


Radiation pattern reference



2450 MHz Radiation pattern

4. Antenna drawings



5. Antenna Images

