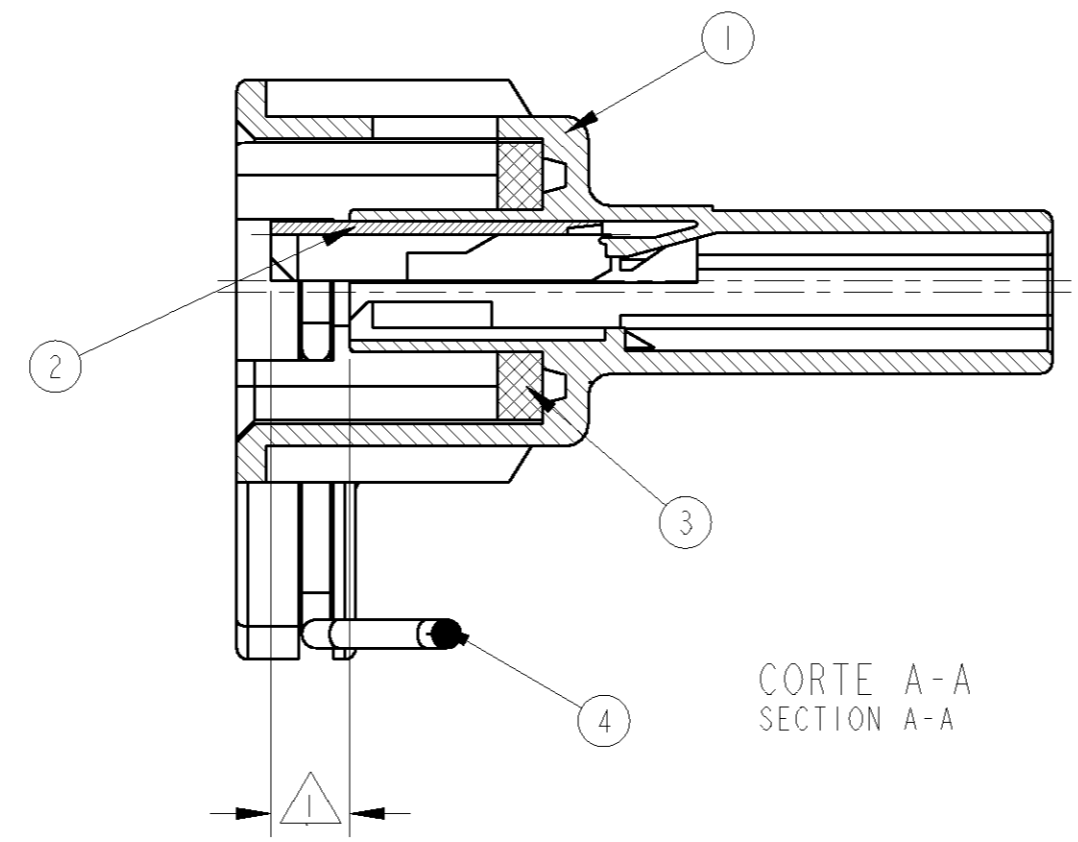
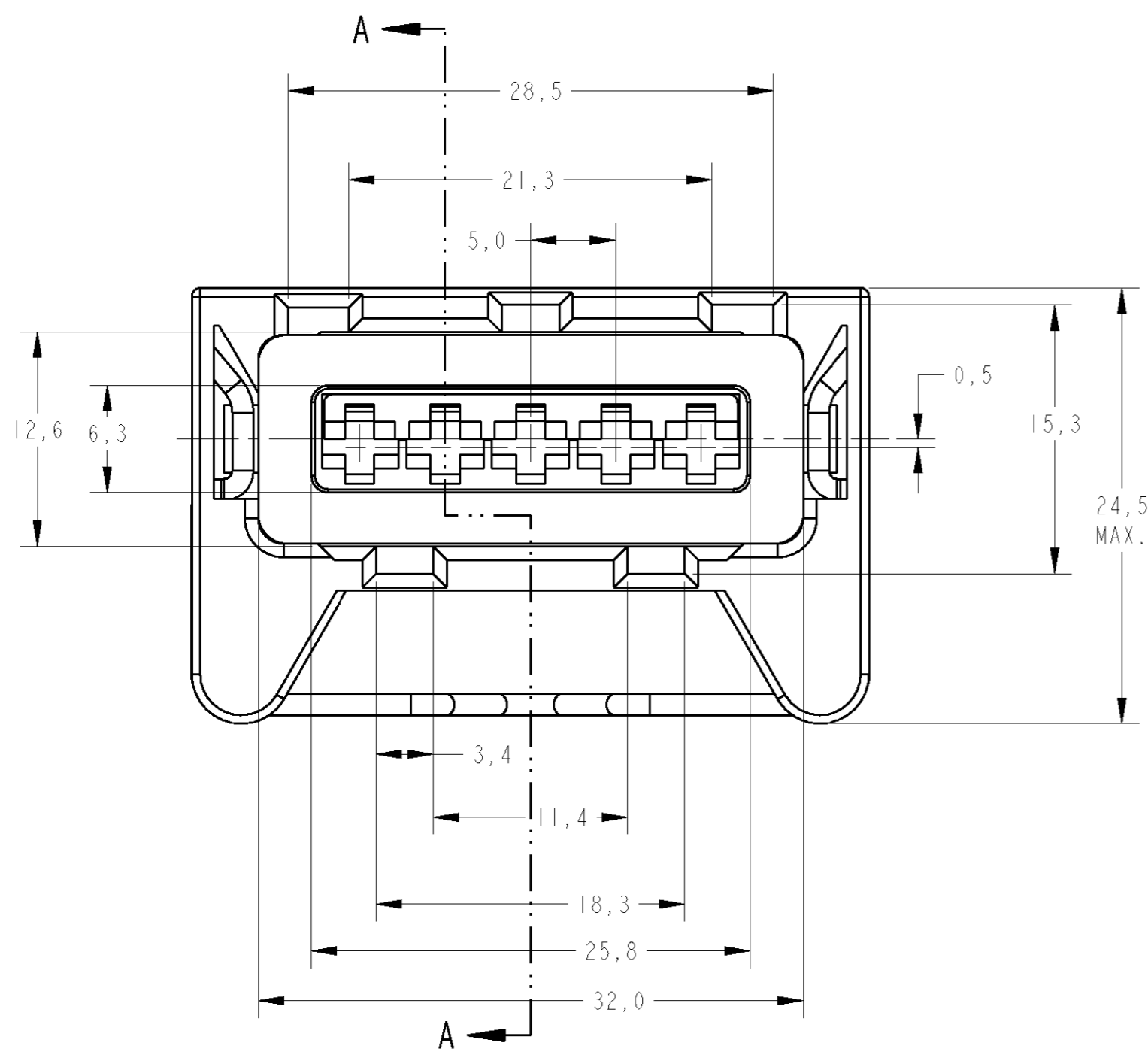


LOC	DIST	REVISIONS			
P	LTR	DESCRIPTION	DATE	DWN	APVD
AP	-	E REDRAWN BY ECLB00-0159/01	25SEP2001	HL	PLF

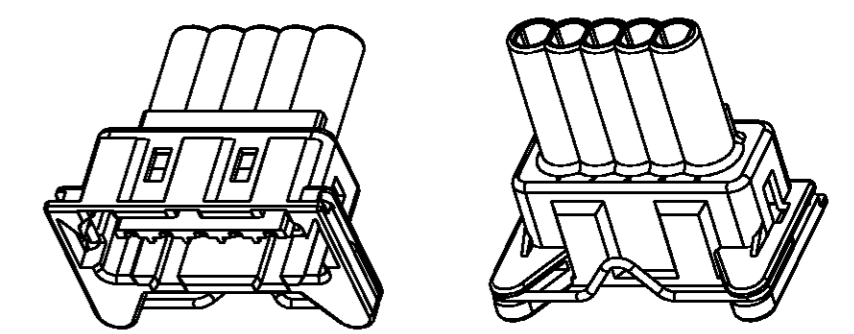
CAD
DO NOT REVISE EXCEPT BY CAD



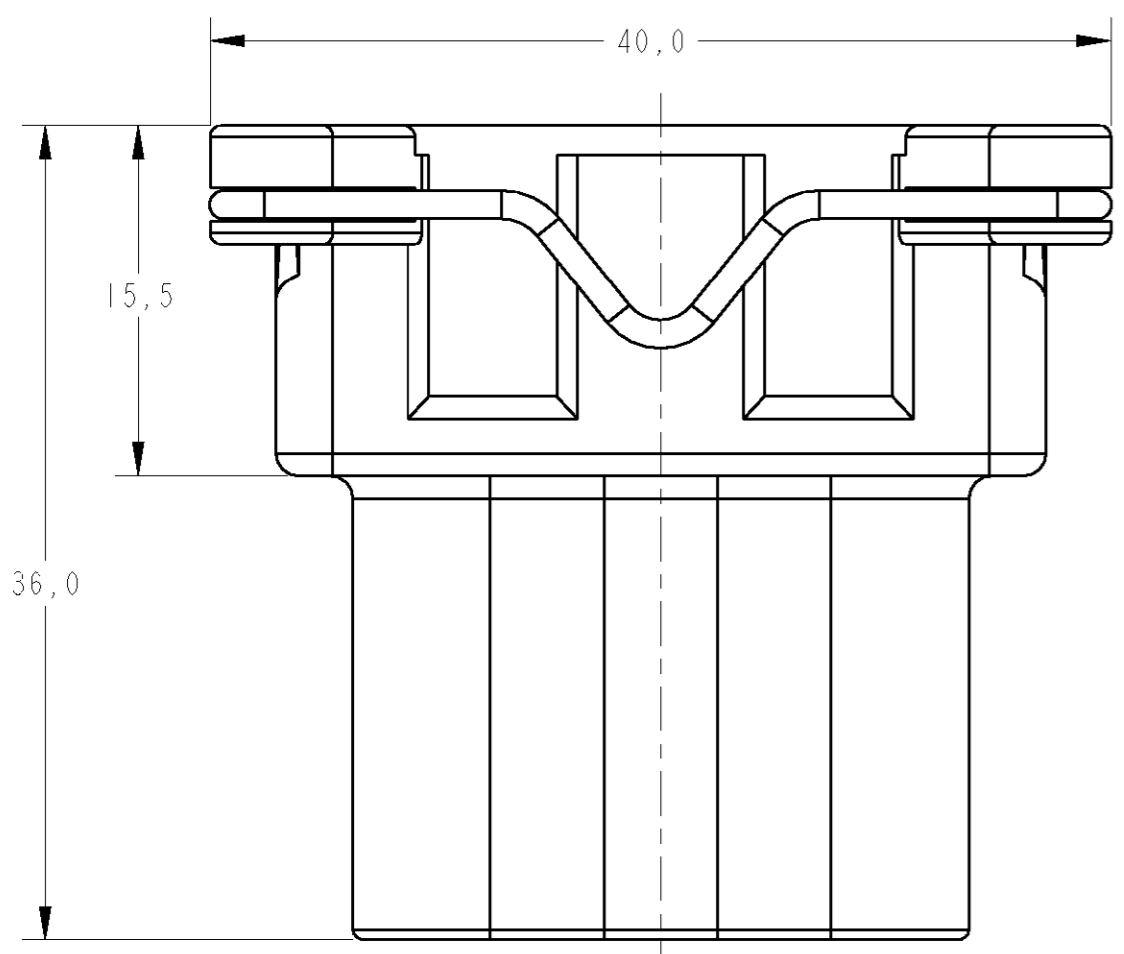
CORTE A-A
 SECTION A-A

- 1 - OS ITENS 1 E 2 DEVEM RESPEITAR A POSIÇÃO DE PRÉ-MONTAGEM, COMO SERÃO FORNECIDOS; ITEMS 1 AND 2 MUST RESPECT THE PRE-ASSEMBLED POSITION, AS THEY WILL BE SUPPLIED;
- 2 - CAVIDADES PARA TERMINAIS "JUNIOR POWER TIMER" COM "WIRE SEALS"; CAVITIES FOR JUNIOR POWER TIMER TERMINALS WITH WIRE SEALS;
- 3 - VER DESENHO RESTRITO DE CLIENTE 881745-9. SEE RESTRICTED CUSTOMER DRAWING 881745-9.

GRAVAÇÃO MARKING
LOGOTIPO AMP AMP LOGO
CÓDIGO PAÍS PRODUTOR MANUFACTURER COUNTRY CODE
NÚMERO COMPONENTE AMP AMP COMPONENT NUMBER
NÚMERO CAVIDADE CAVITY NUMBER
IDENTIFICAÇÃO CIRCUITO CIRCUIT IDENTIFICATION
NÚMERO PEÇA CLIENTE CUSTOMER PART NUMBER
PAÍS PRODUTOR MANUFACTURER COUNTRY



VISTA EM PERSPECTIVA
 ESCALA 1:1
 PERSPECTIVE VIEW
 SCALE 1:1



E										DESCRIPTION	MATERIAL	FINISH	
1	-	-							4	SPRING	ARAME DE AÇO INOX / STAINLESS STEEL WIRE	----/----	
-	-	-							3	RUBBER SEAL	SILICONE	LARANJA / ORANGE	
	-	-							2	SPACER, 5 POSN., JUNIOR POWER TIMER	PBT	AMARELO / YELLOW	
-	-	-	-	-	-	-	-	-	---	----	----	----	
-	-	-		-	-	-	-	-	1	HOUSING, 5 POSN., JUNIOR POWER TIMER	PBT + 30%GF	VERDE / GREEN	
-	-	-	-		-	-	-	-	1	HOUSING, 5 POSN., JUNIOR POWER TIMER	PBT + 30%GF	AZUL / BLUE	
-	-	-	-	-		-	-	-	1	HOUSING, 5 POSN., JUNIOR POWER TIMER	PBT + 30%GF	MARROM / BROWN	
-	-	-	-	-	-		-	-	1	HOUSING, 5 POSN., JUNIOR POWER TIMER	PBT + 30%GF	CINZA-CLARO / LIGHT GREY	
-	-	-	-	-	-	-		-	1	HOUSING, 5 POSN., JUNIOR POWER TIMER	PBT + 30%GF	VERMELHO / RED	
-	-	-	-	-	-	-	-		1	HOUSING, 5 POSN., JUNIOR POWER TIMER	PBT + 30%GF	NATURAL	
-	-	-	-	-	-	-	-	-	1	HOUSING, 5 POSN., JUNIOR POWER TIMER	PBT + 30%GF	AMARELO / YELLOW	
	-	-	-	-	-	-	-	-	1	HOUSING, 5 POSN., JUNIOR POWER TIMER	PBT + 30%GF	PRETO / BLACK	
REQUIRED PER ASSEMBLY										ITEM			
E	-	-	E	E	E	E	E	E	E	PART REV.			
1--1	1--0	-9	-8	-7	-6	-5	-4	-3	-2	-1			
881745	4	4	881745										

THIS DRAWING IS A CONTROLLED DOCUMENT FOR TYCO ELECTRONICS CORPORATION. IT IS SUBJECT TO CHANGE AND THE CONTROLLING ENGINEERING ORGANIZATION SHOULD BE CONTACTED FOR THE LATEST REVISION.		DWN H.LIVERARO 25SEP2001 CHK P.L.FARIA 25SEP2001 APVD J.A.MARSON 25SEP2001	tyco Electronics TYCO Electronics Brasil Ltda. Sao Paulo, Brasil
DIMENSIONS: mm 	TOLERANCES UNLESS OTHERWISE SPECIFIED: 0 PLC ±0 1 PLC ±0.3 2 PLC ± 3 PLC ± 4 PLC ± ANGLES ±° FINISH SEE TABLE	PRODUCT SPEC 108-37025 APPLICATION SPEC WEIGHT - CUSTOMER DRAWING	NAME HOUSING ASSEMBLY, 5 POSN., JUNIOR POWER TIMER SIZE A2 CAGE CODE 00779 DRAWING NO. 881745 RESTRICTED TO - SCALE 2:1 SHEET 1 OF 1 REV E