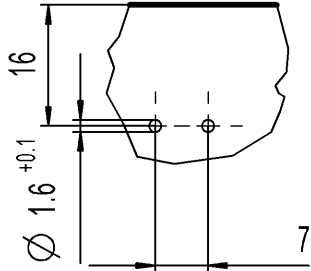
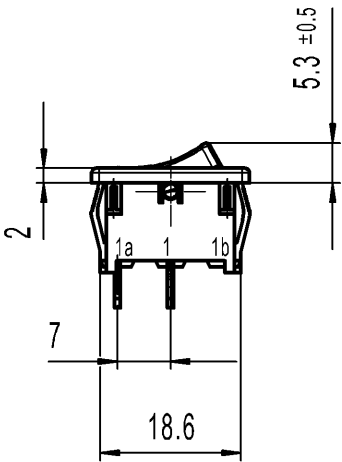
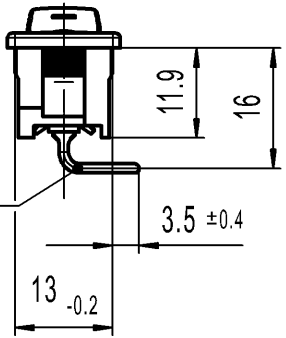
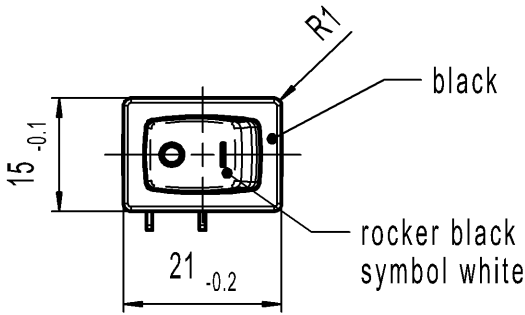
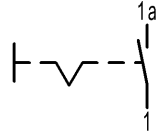




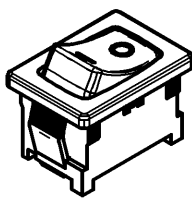


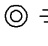
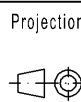

CONFIDENTIAL

VERTRAULICH

THIS DRAWING IS THE EXCLUSIVE PROPERTY OF MARQUARDT. WITHOUT THEIR CONSENT IT MAY NOT BE REPRODUCED OR GIVEN TO THIRD PARTIES.

Alle Rechte bei Marquardt, auch fuer den Fall von Schutzrechtsanmeldungen. Jede Verfuugungsbezugnis, wie Kopier- und Weitergaberecht, bei uns.

	1	2	3	4	
A	Recommended terminal layout, side of component, tolerances as per DIN IEC 326 item 3 very fine 		recommended cut-out for snap-in fixing (edge opposite to snap-in direction)		
			wall thickness	length of cut-out	width of cut-out
			0.75 to 1.25 1.25 to 2 2 to 3	19.2 -0.1 19.4 -0.1 19.8 -0.1	12.9+0.1 12.9+0.1 12.9+0.1
B					
			terminal 1.3x0.8' 		
C	black rocker black symbol white				
D	Marking  18.. 6(4)/250~ 5E4 10(4)/250~ T100/55 5/50A 250V~ 		SPST Suitable for appliances of class II		
E	6A 125-250V AC 1/4 HP 125V AC 1/2 HP 250V AC R30  				
Code of manufacture: place/year/week					

-	-	-	1801.5105-XX																																												
Figure	Type	Customer Part No.	Art.No.-PI																																												
Shape and location 	Angle ± 2°	Sheet 01 Ident. K Document number 18015105 Index d																																													
	Edge tolerance	Format DIN A4 Projection  Scale 1:1 All dimensions are in millimetres																																													
	<table border="1" style="width:100%; border-collapse: collapse;"> <thead> <tr> <th rowspan="2"></th> <th colspan="2">Length</th> <th colspan="2">Radii</th> </tr> <tr> <th>0-6</th> <th>± 0.2</th> <th>±</th> <th>± 0.2</th> </tr> </thead> <tbody> <tr> <td>>6-15</td> <td>± 0.4</td> <td>±</td> <td>±</td> <td>±</td> </tr> <tr> <td>>15-30</td> <td>± 0.4</td> <td>±</td> <td>±</td> <td>±</td> </tr> <tr> <td>>30-70</td> <td>±</td> <td>±</td> <td>±</td> <td>±</td> </tr> <tr> <td>>70-120</td> <td>±</td> <td>±</td> <td>±</td> <td>±</td> </tr> <tr> <td>>120-200</td> <td>±</td> <td>±</td> <td>±</td> <td>±</td> </tr> <tr> <td></td> <td>±</td> <td>±</td> <td>±</td> <td>±</td> </tr> <tr> <td></td> <td>±</td> <td>±</td> <td>±</td> <td>±</td> </tr> </tbody> </table>		Length		Radii		0-6	± 0.2	±	± 0.2	>6-15	± 0.4	±	±	±	>15-30	± 0.4	±	±	±	>30-70	±	±	±	±	>70-120	±	±	±	±	>120-200	±	±	±	±		±	±	±	±		±	±	±	±	Appliance Switch  MARQUARDT	
	Length		Radii																																												
	0-6	± 0.2	±	± 0.2																																											
>6-15	± 0.4	±	±	±																																											
>15-30	± 0.4	±	±	±																																											
>30-70	±	±	±	±																																											
>70-120	±	±	±	±																																											
>120-200	±	±	±	±																																											
	±	±	±	±																																											
	±	±	±	±																																											
d	137838	2021-06-01	JOSHIO																																												
c	43724	2005-07-20	vor																																												
b	31444	2001-04-23	SIG																																												
a	21725	1992-08-26	HS																																												
Index	MEC-No.	Date (YYYY-MM-DD)	Edited by																																												
		System NX V1872 Replacement of Zg.gl.Nr.v.23.04.2001																																													