

SGX

SENORTECH

An Amphenol Company



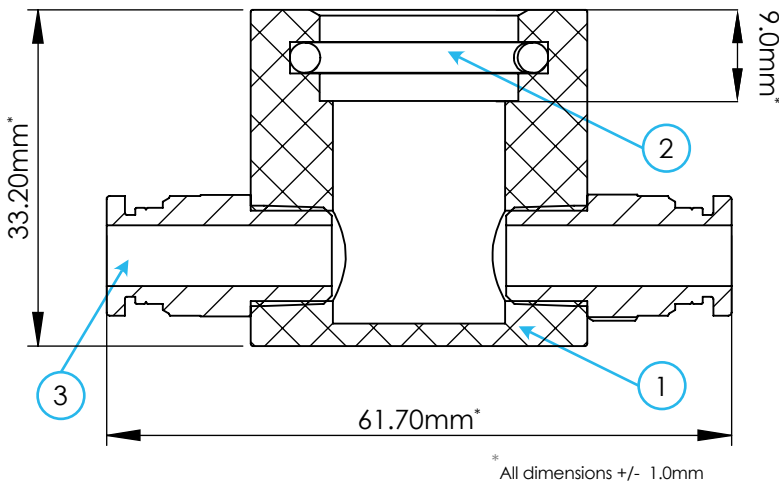
JAS69640AA

Information note

Calibration Flow Hood Assembly can be applied to all type of gases.

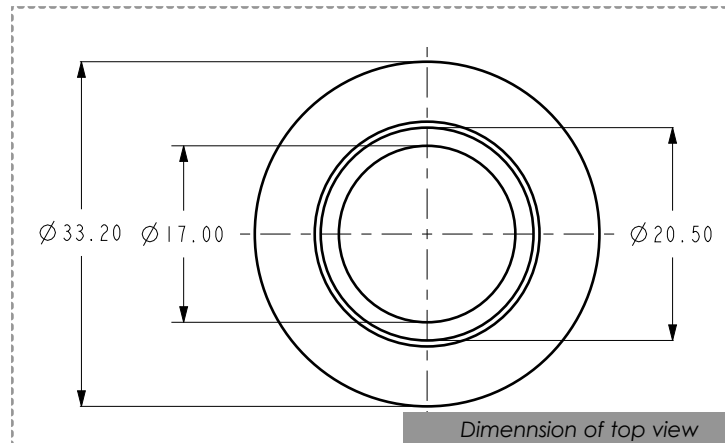
Dedicated to the sensor series

- IRxx
- INIR/INIR2
- SGX-4xxx
- VQ5xx



* All dimensions +/- 1.0mm

Ref.	Description
1	Minisensor gas cap - material: PTFE
2	O-ring 19.50(ID) x 3.00
3	Tube fitting 1/8 BSSP - material: stainless steel 304



Quality, Safety, Responsibility