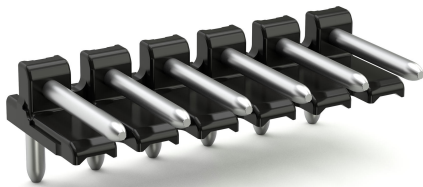


Data sheet | Item number: 2091-1723

Solder pin strip; 1.0 mm Ø solder pin; angled; Pin spacing 3.5 mm; 3-pole;
black



www.wago.com/2091-1723

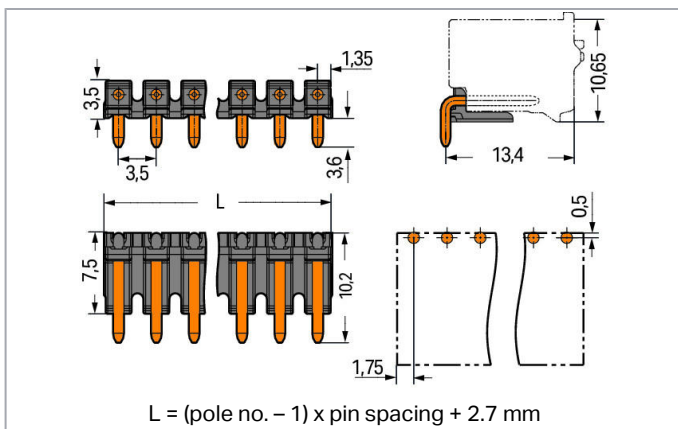
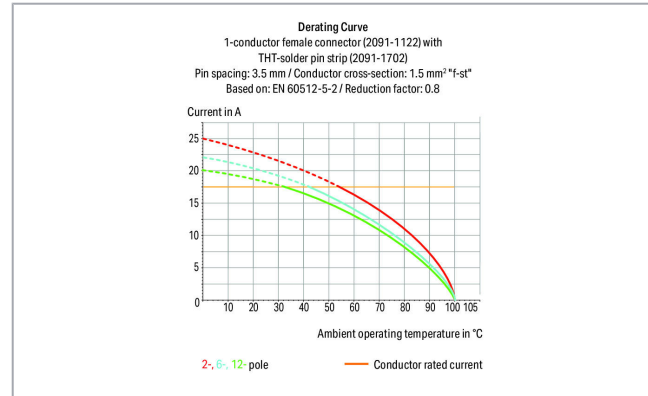


 Picture differs from the item.

RoHS  Compliant



Color: 



Item description

- Lötstiftleisten mit geraden und abgewinkelten Lötstiften für rechtwinklige und parallele Steckrichtung zur Leiterplatte
- Polverlustfreies Aneinanderreihen von mehreren Federleisten in einer Lötstiftleiste zur Trennung von Funktionen möglich

Safety information 1:

Subject to changes. Please also observe the further product documentation!

WAGO Kontakttechnik GmbH & Co. KG
Hansastr. 27
32423 Minden
Phone: +49571 887-0 | Fax: +49571 887-169
Email: info.de@wago.com | Web: www.wago.com

Do you have any questions about our products?
We are always happy to take your call at 01788 568 008.



The **picoMAX® Pluggable Connection System** includes connectors without breaking capacity in accordance with DIN EN 61984. When used as intended, these connectors must not be connected/disconnected when live or under load. The circuit design should ensure header pins, which can be touched, are not live when unmated.

Data

Electrical data

Ratings per IEC/EN

| Ratings per | IEC/EN 60664-1 |
|-----------------------------|---|
| Nominal voltage (III/3) | 160 V |
| Rated surge voltage (III/3) | 2.5 kV |
| Rated voltage (III/2) | 160 V |
| Rated surge voltage (III/2) | 2.5 kV |
| Nominal voltage (II/2) | 320 V |
| Rated surge voltage (II/2) | 2.5 kV |
| Rated current | 10 A |
| Legend (ratings) | (III / 2) $\hat{=}$ Overvoltage category III / Pollution degree 2 |

Ratings per UL

| | |
|---------------|---------|
| Approvals per | UL 1059 |
|---------------|---------|

Ratings per CSA

| | |
|---------------|-----|
| Approvals per | CSA |
|---------------|-----|

Connection data

| | |
|----------------------------|---|
| Pole No. | 3 |
| Number of connection types | 1 |
| Number of levels | 1 |

Physical data

| | |
|-------------------------|----------------------|
| Pin spacing | 3.5 mm / 0.138 inch |
| Width | 12.2 mm / 0.480 inch |
| Height | 7.1 mm / 0.28 inch |
| Height from the surface | 3.5 mm / 0.138 inch |
| Depth | 10.2 mm / 0.402 inch |
| Solder pin length | 3.6 mm |

Subject to changes. Please also observe the further product documentation!

WAGO Kontakttechnik GmbH & Co. KG
 Hansastr. 27
 32423 Minden
 Phone: +49571 887-0 | Fax: +49571 887-169
 Email: info.de@wago.com | Web: www.wago.com

Do you have any questions about our products?
 We are always happy to take your call at 01788 568 008.



| | |
|--------------------------------------|---------------|
| Solder pin diameter | 1 mm |
| Drilled hole diameter with tolerance | 1.2 (+0.1) mm |

Plug-in connection

| | |
|------------------------------------|---------------------|
| Contact type (pluggable connector) | Male connector/plug |
| Connector (connection type) | for PCB |
| Mismating protection | No |
| Mating direction to the PCB | 0° |

PCB contact

| | |
|-------------|-----|
| PCB Contact | THT |
|-------------|-----|

Material data

| | |
|-----------------------------|--|
| Color | black |
| Material group | I |
| Insulation material | Polyphthalamide (PPA GF) |
| Flammability class per UL94 | V0 |
| Contact material | Electrolytic copper (E _{Cu}) |
| Contact plating | tin-plated |
| Weight | 0.4 g |

Environmental requirements

| | |
|-------------------------|-----------------|
| Limit temperature range | -60 ... +100 °C |
|-------------------------|-----------------|

Commercial data

| | |
|-----------------------|---------------|
| Packaging type | bag |
| Country of origin | CN |
| GTIN | 4055143935463 |
| Customs tariff number | 85369010000 |

Approvals / Certificates

Country specific Approvals

| Logo | Approval | Additional Approval Text | Certificate name |
|------|---------------------------------------|--------------------------|------------------|
| | CB DEKRA Certification B.V. | IEC 61984 | NL-49736 /A1 |

Subject to changes. Please also observe the further product documentation!



CSA
DEKRA Certification B.V.

C22.2

2362521





KEMA/KEUR
DEKRA Certification B.V.

EN 61984

71-
102260
REV.1

UL-Approvals

| Logo | Approval | Additional Approval Text | Certificate name |
|--|--------------------------------------|--------------------------|---------------------|
|  | UL Underwriters Laboratories Inc. | UL 1977 | 20190909- E45171 |
|  | UL Underwriters Laboratories Inc. | UL 1059 | E45172- 20100415 |

Counterpart



Item no.2091-1123
1-conductor female plug; 1.5 mm²; Pin spacing 3.5 mm; 3-pole; 1,50 mm²; light gray

www.wago.com/2091-1123

Downloads

Documentation

Additional Information

| | | | |
|------------------------|------------|---------------|----------|
| Technical explanations | 3. 4. 2019 | pdf 2.0 MB | Download |
|------------------------|------------|---------------|----------|

Installation Notes

Product family

[*<i>picoMAX</i>[®]</sup> 3.5*](#)
[Show all products from the family](#)

Subject to changes. Please also observe the further product documentation!