

## 2J6915B-868

868 MHz ISM Screw Mount

### Key Features

**868 MHz ISM**  
- 863-870 MHz  
Screw Mount  
Low Profile  
Anti-Rotation Mechanism  
Ground Plane Independent  
Customizable Cable and Connector  
Dimensions 80 × 74 × 25.6 mm  
Certificates: IP67, IP69



## 1. Antenna and electrical specifications

Parameters	868 MHz ISM Antenna
<b>Standards</b>	ZigBee, ISM, SIGFOX, LoRa
<b>Band (MHz)</b>	868 MHz
<b>Frequency (MHz)</b>	863-870
<b>Return Loss (dB)</b>	~-30.0
<b>VSWR</b>	~1.1:1
<b>Efficiency (%)</b>	~71.0
<b>Peak Gain (dBi)</b>	~2.5
<b>Average Gain (dB)</b>	~-1.4
<b>Impedance (Ohm)</b>	50
<b>Polarisation</b>	Linear
<b>Radiation Pattern</b>	Omni-Directional
<b>Max. Input Power (W)</b>	25
<b>Connector Type</b>	SMA-Male Standard (Other Connectors Available)
<b>Cable Length</b>	300 cm Standard (Any Cable Length Available)
<b>Cable Type</b>	D302 Standard (Other Cables Available)

### Antenna Measurement Conditions:

Mounted on 30 x 30 x 0.25 cm ABS Plate

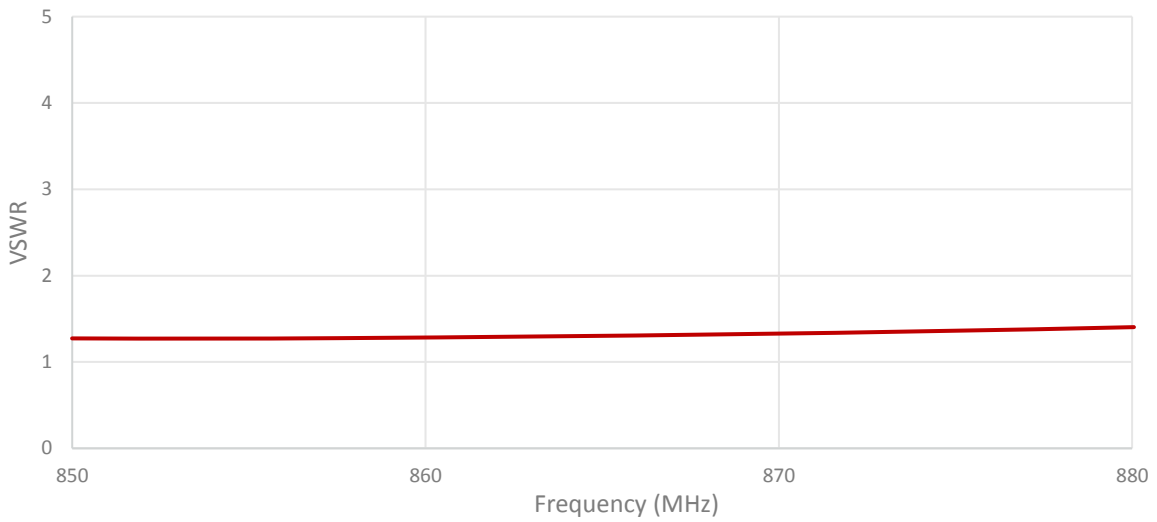
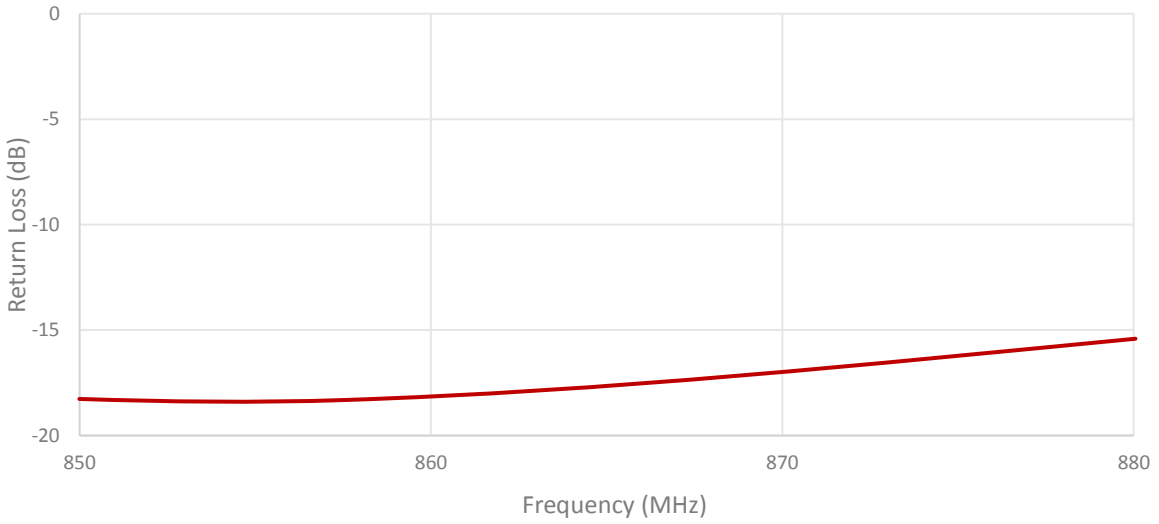
200 cm of D302 Cable

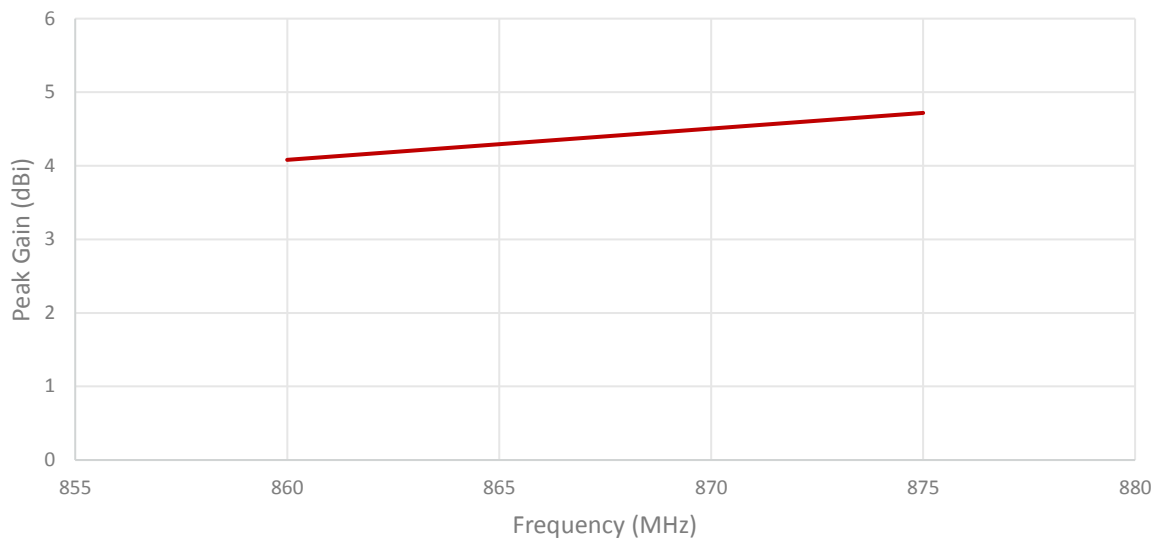
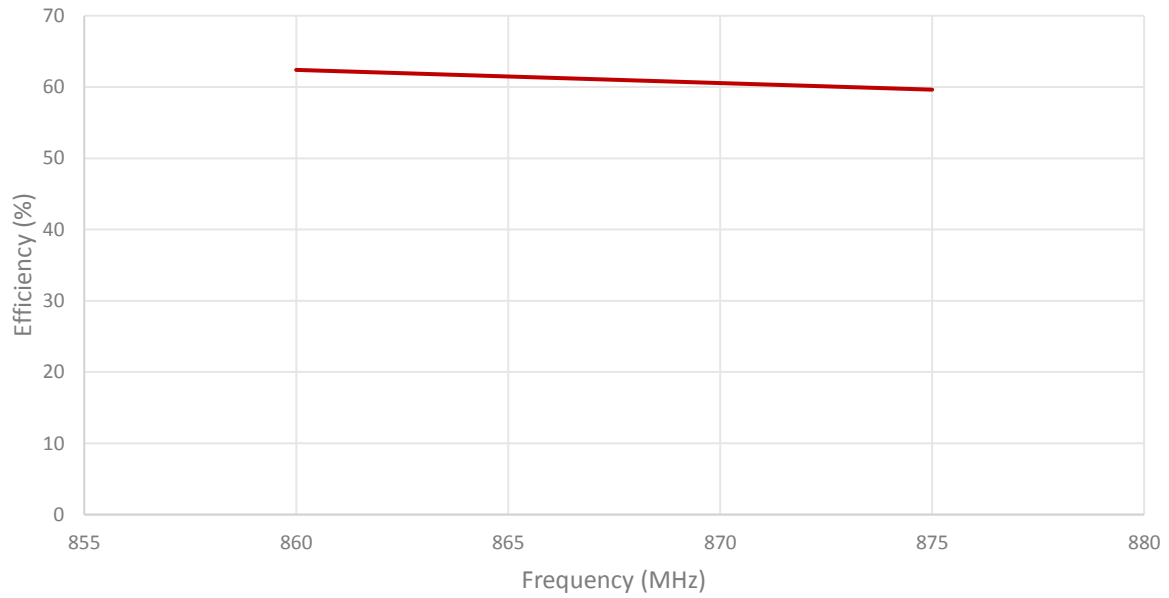
Measured in Certified CTIA 3D Anechoic Chamber

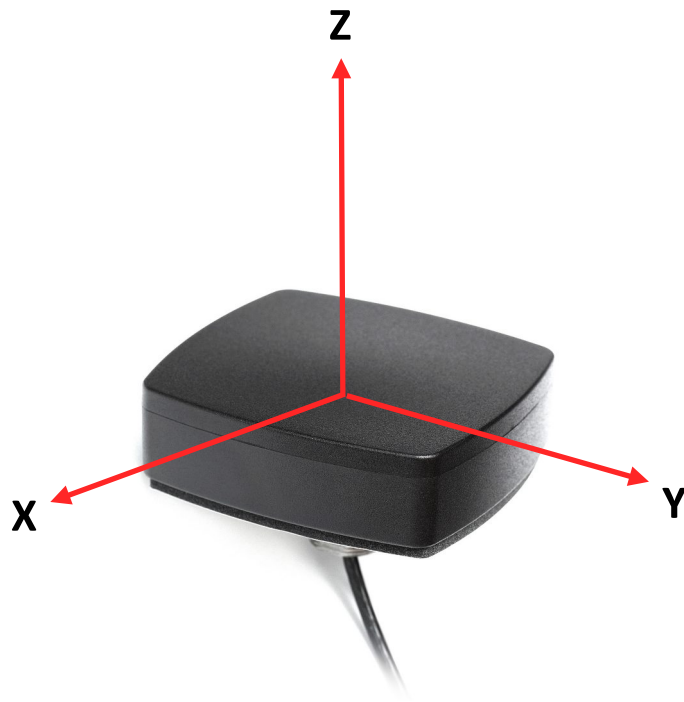
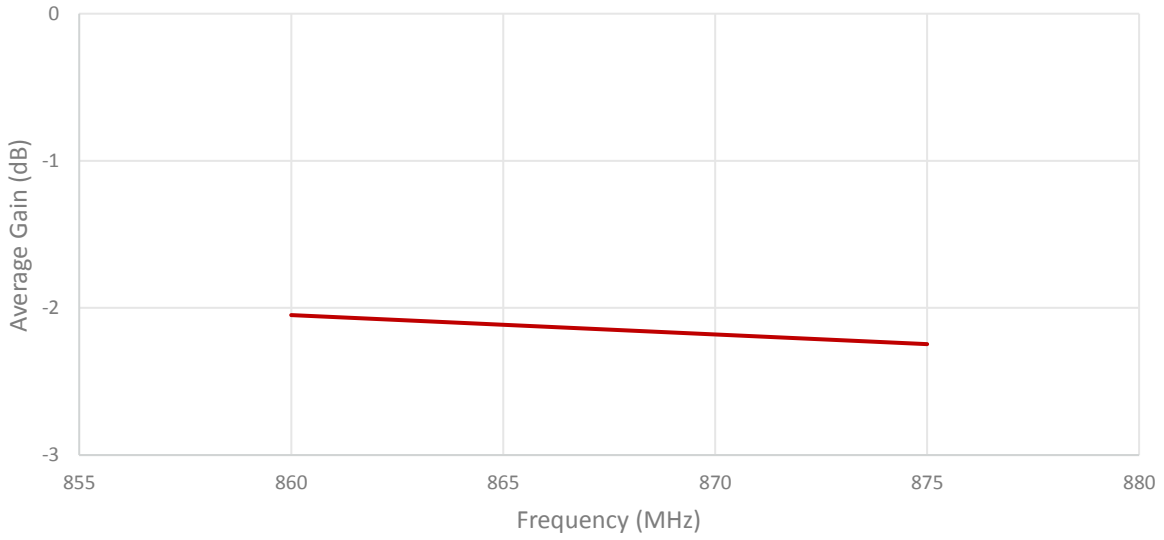
## 2. Mechanical and environmental specifications

Specifications	2J6915B-868
<b>Mounting Type</b>	Screw Mount
<b>Dimensions (mm)</b>	80 x 74 x 25.6
<b>Max. Tighten Torque (Nm)</b>	5 Nm
<b>Radome Type</b>	ASA
<b>Radome Color</b>	Black, White
<b>Operating Temperature (C)</b>	-40 to +85
<b>Storage Temperature (C)</b>	-40 to +85
<b>Substance Compliance</b>	RoHS
<b>Certificates</b>	IP67, IP69

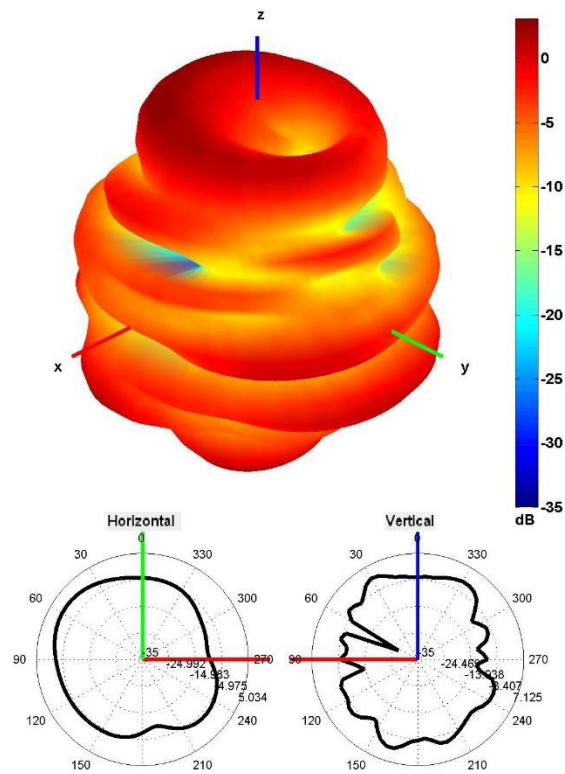
### 3. Antenna parameters





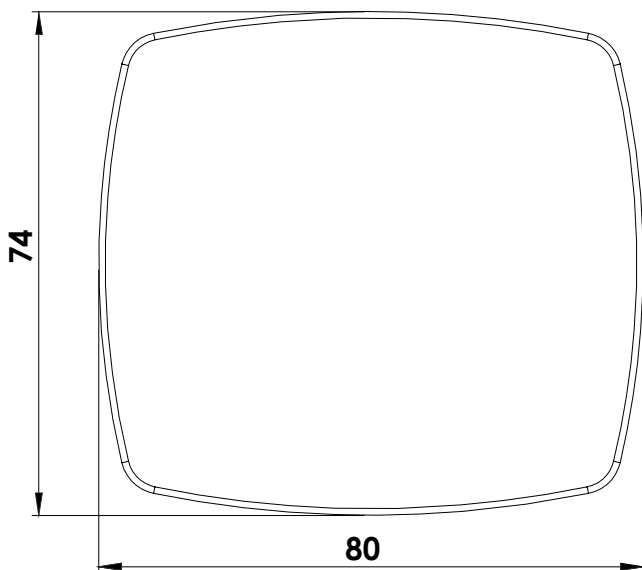
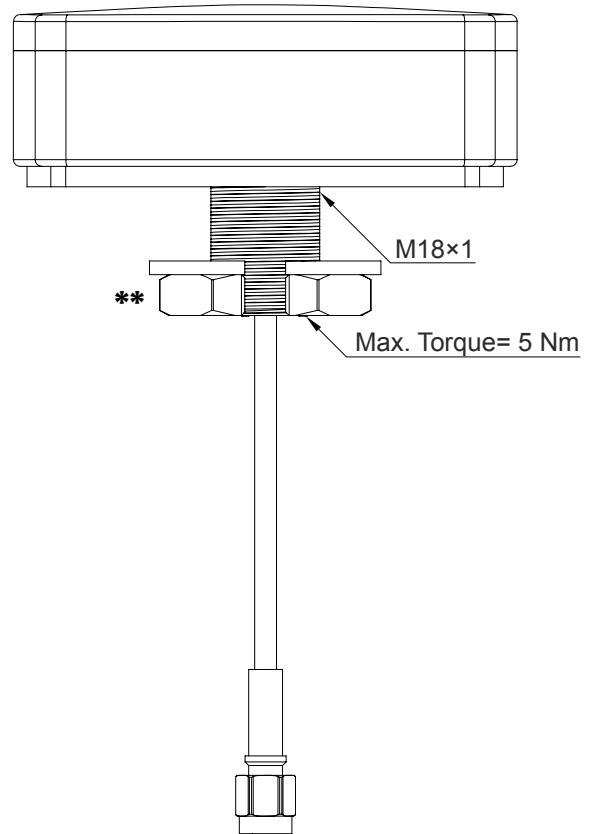
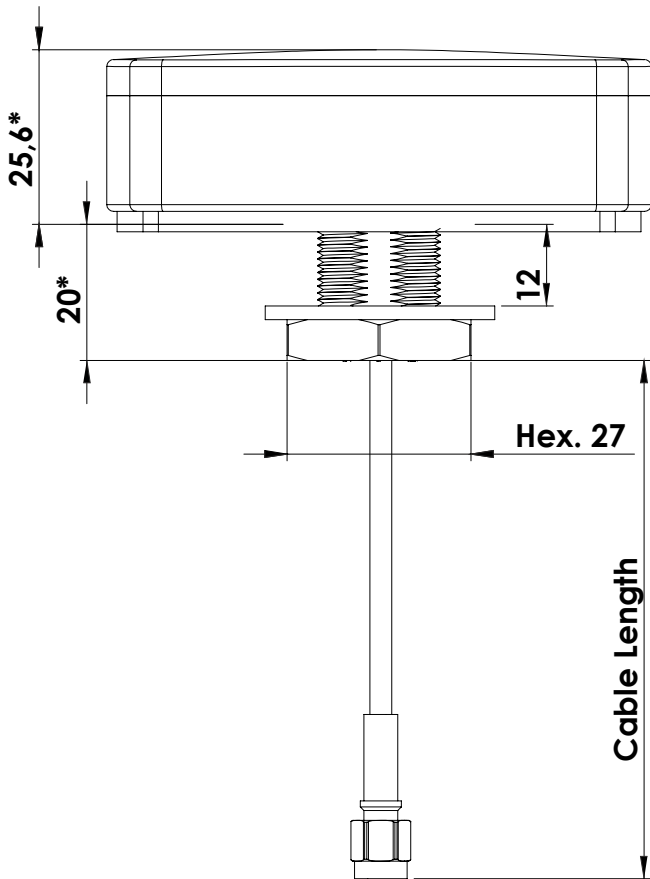


Radiation pattern reference

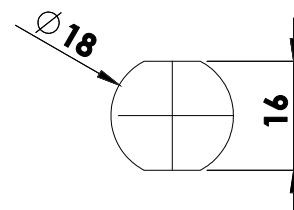


868 MHz Radiation pattern

## 4. Antenna drawings



### Mounting hole



Max. mounting thickness 12mm  
 Note: Dimensions are in millimeters  
 \*Dimensions are after mounting  
 \*\*Max. Torque= 5 Nm

## 5. Antenna Images

