



## 3-conductor LED terminal block; with red LED; 24 VDC

Item No.: 2001-1321/1000-413



3-conductor LED terminal block; with red LED; 24 VDC

### Marking

RoHS ✓  
Compliant

### Business data

Supplier	WAGO
Item no.	2001-1321/1000-413
GTIN / EAN	4045454537593
Content	1
Order amount	100
Customer item number	

### Notes

Safety information 1: Notice: This LED terminal block cannot be commoned with push-in type jumper bars!

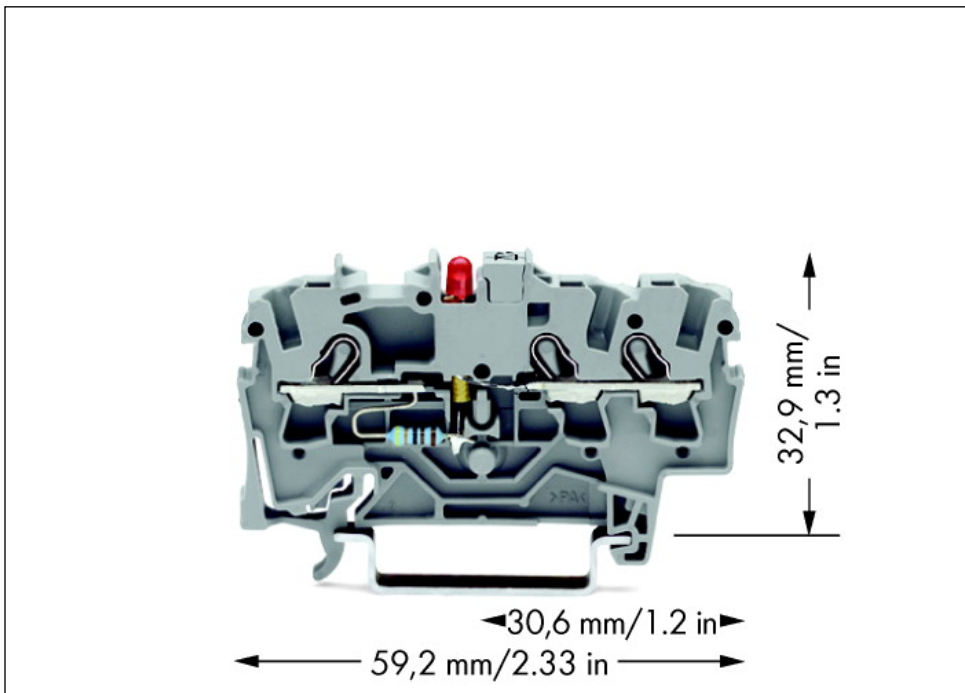
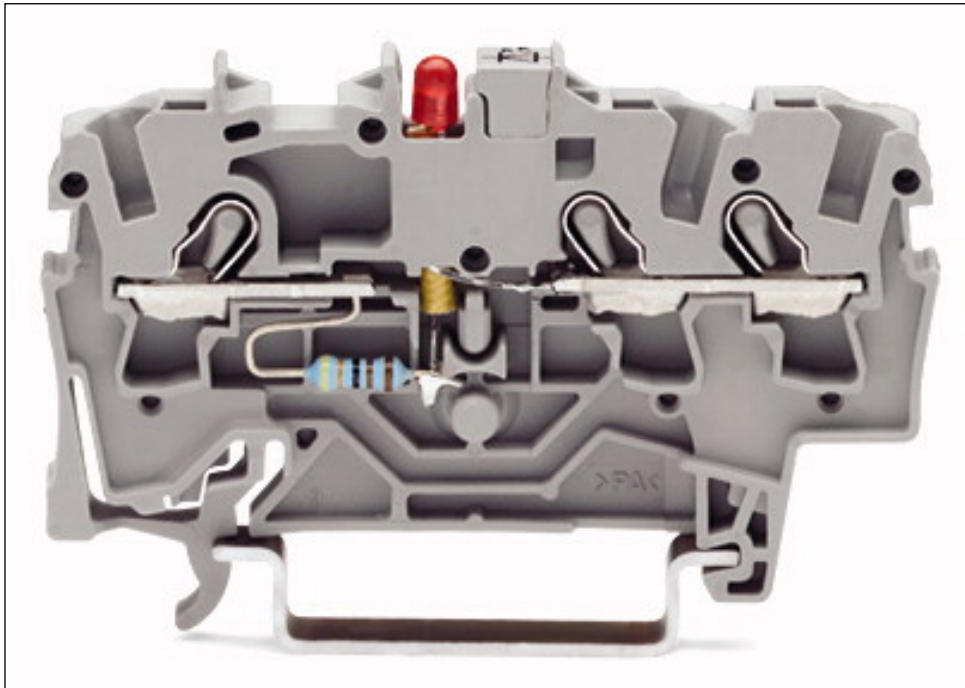
### Technical data

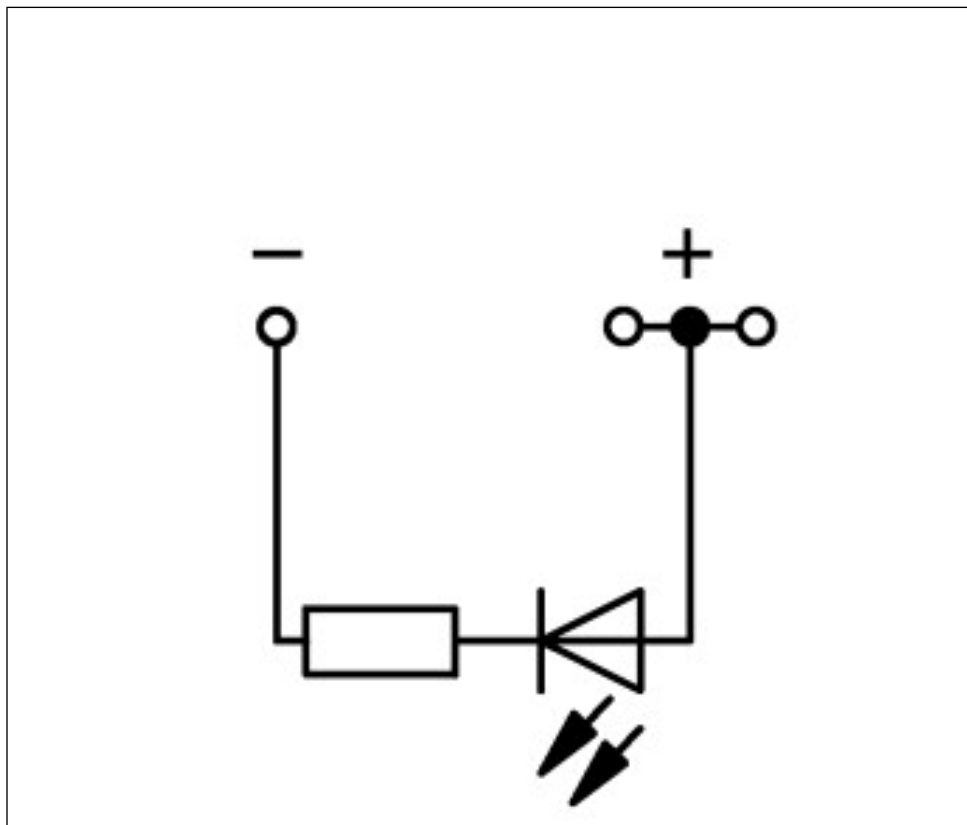
#### Miscellaneous

Packaging type	BOX
Ratings per	IEC/EN 60947-7-1
Rated current [A]	0.025 [A]
Nominal voltage [V]	24 [V]
Type of wiring	Front-entry wiring
Total number of connection points	3

<b>Technical data</b>	
<i>Total number of potentials</i>	1
<i>Number of levels</i>	1
<i>Connection technology</i>	Push-in CAGE CLAMP®
<i>Actuation type</i>	Push-in
<i>Connectable conductor materials</i>	Copper
<i>Nominal cross section</i>	1.5 mm <sup>2</sup>
<i>Solid conductor</i>	0.25 ... 2.5 mm <sup>2</sup> / 22 ... 14 AWG
<i>Solid conductor, push-in termination</i>	0.5 ... 2.5 mm <sup>2</sup> / 20 ... 14 AWG
<i>Fine-stranded conductor</i>	0.25 ... 2.5 mm <sup>2</sup> / 22 ... 14 AWG
<i>Fine-stranded conductor with ferrule, push-in termination, f</i>	0.75 mm <sup>2</sup> / 18 AWG
<i>Strip length</i>	9 ... 11 mm / 0.35 ... 0.43 Inch
<i>Width</i>	4.2 mm / 0.165 Inch
<i>Height from upper-edge of DIN-35 rail</i>	32.9 mm / 1.295 Inch
<i>Depth</i>	59.2 mm / 2.33 Inch
<i>Design</i>	horizontal
<i>Type of mounting</i>	Carrier rail 35 x 15
<i>Marking level</i>	Center/side marking
<i>Color</i>	gray
<i>Insulating material</i>	Polyamide 66 (PA 66)
<i>Weight [g]</i>	5.2 [g]

Images & drawings





**Address**

WAGO Kontakttechnik GmbH & Co. KG

Hansastr. 27

32423 Minden

Telefon: 0571/887-0

Fax: 0571/887-169

<http://www.wago.com>

© WAGO Kontakttechnik GmbH & Co. KG

Technische Änderungen und Irrtümer vorbehalten.