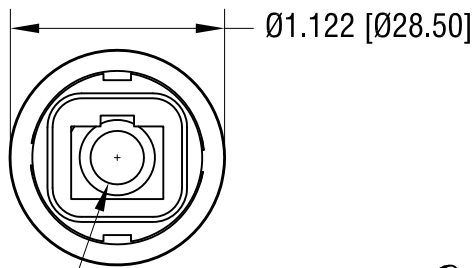
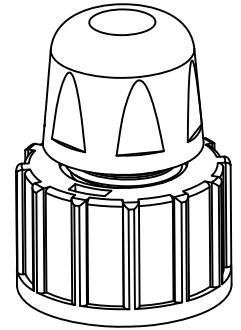
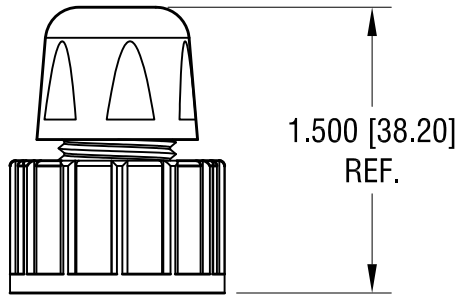
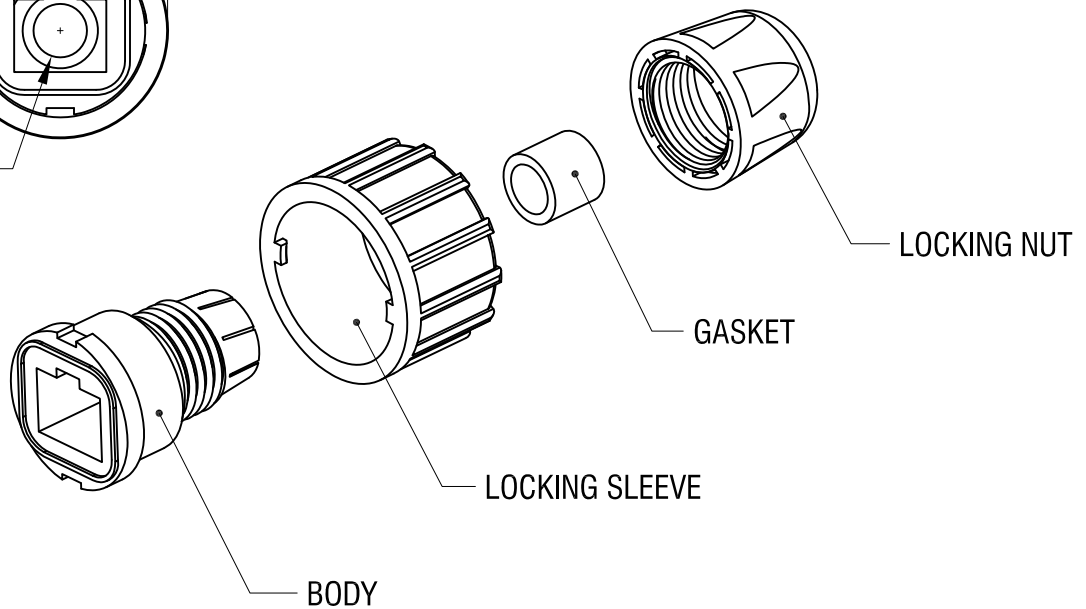


THIS DOCUMENT IS THE PROPERTY OF
KEYSTONE ELECTRONICS CORP. AND
SHALL NOT BE REPRODUCED, DISTRIBUTED
OR USED AS A BASIS FOR MANUFACTURE
WITHOUT PRIOR WRITTEN PERMISSION
FROM KEYSTONE ELECTRONICS CORP.

ACTUAL SIZE



Ø.276 [Ø7.00]



KEYSTONE ELECTRONICS CORP.

www.keyelco.com • ASTORIA, N.Y. 11105-2017 • Tel (718) 956-8900

PART NAME

WATER PROOF KEYSTONE PLUG

MATERIAL

THERMOPLASTIC, UL 94V-0 (BLACK COLOR)

FINISH

DRN BY

NT

DATE

4.01.16

APP'D

LN

SCALE

1X

TOLERANCES

INCH

[MM]

CODE

DWG NO.

DECIMAL

± .005 [± 0.13]

C

ANGULAR ± 1°

UNLESS OTHERWISE SPECIFIED

962P

DATE

DESCRIPTION

REV.