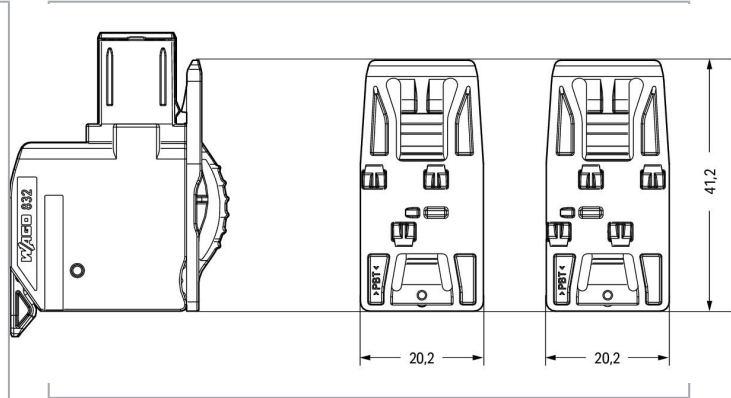
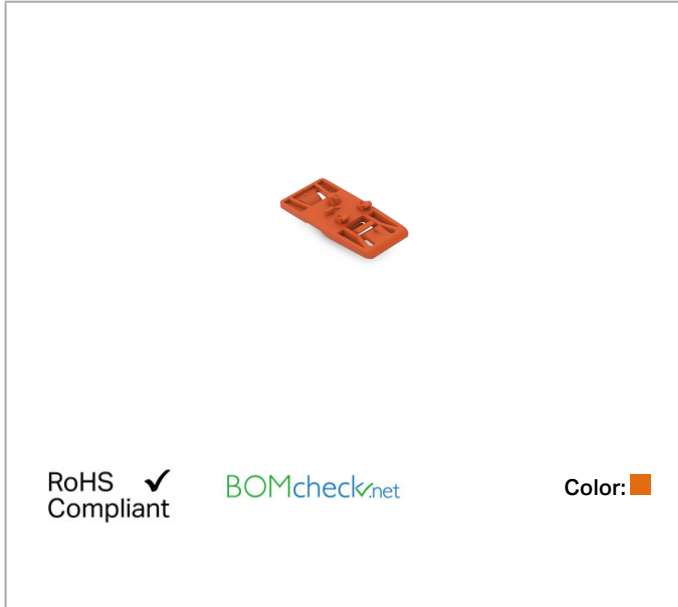


Data sheet | Item number: 832-523

Locking lever; for odd pole numbers; orange

www.wago.com/832-523



Data

Physical data

Width 20.2 mm

Mechanical data

Mounting type Snap-in mounting

Suitable for standard male and female connectors

Material data

Color orange

Weight 2.2 g

Commercial data

Packaging type BOX

Country of origin DE

GTIN 4055143935364

Customs tariff number 85389099990

Subject to changes. Please also observe the further product documentation!

WAGO Kontakttechnik GmbH & Co. KG
Hansastr. 27
32423 Minden
Phone: +49571 887-0 | Fax: +49571 887-169
Email: info.de@wago.com | Web: www.wago.com

Do you have any questions about our products?
We are always happy to take your call at +49 (571) 887-44222.

Downloads

Documentation

Additional Information

Technical explanations	3. 4. 2019	pdf 2.0 MB	Download
------------------------	------------	---------------	----------

Environmental Product Compliance

Compliance Search

Environmental Product Compliance 832-523 Locking lever; for odd pole numbers; orange	URL	Download
---	-----	----------

Installation Notes

Installation



Locking lever; for field assembly



Locking lever; for field assembly



Locking lever; for field assembly

Subject to changes. Please also observe the further product documentation!