

## APPROVAL SHEET

客 戶 :  
C u s t o m e r :  
客 戶 料 號 :  
C u s t o m e r P / N :  
大 訊 料 號 : **ACL-S20062**  
A b l e c o m P / N :  
品 名 描 述 : **2U ACTIVE CPU Heat Sink for Intel Socket H Series Processors**  
D e s c r i p t i o n :  
日 期 : **2019/09/16**  
I s s u e D a t e :  
版 本 : **A**  
R e v i s i o n :  
備 註 :  
R e m a r k :

核 准 A p p r o v e d b y	審 核 C h e c k e d b y	製 作 P r e p a r e d b y
<b>JEFF HUANG</b>	<b>JEFF HUANG</b>	<b>Andy Lin</b>

APPROVED SIGNATURE

*WE ARE PLEASED IN SUBMITTING YOU HEREWITH OUR SPECIFICATION, DRAWING TOGETHER WITH SAMPLES FOR YOUR APPROVAL, PLEASE RETURN TO US ONE COPY WITH YOUR AUTHORIZED SIGNATURE AS APPROVED . THANKS FOR YOUR SUPPORT & HELP.*

## Table of Contents

<b>1. ECR CATALOG .....</b>	<b>3</b>
<b>2. HEATSINK ASSEMBLY .....</b>	<b>3</b>
2.1 HEATSINK DRAWING .....	4
2.2 HEATSINK WHITE BOX DRAWING .....	5
<b>3. BACK PLATE ASSEMBLY .....</b>	<b>6</b>
3.1 BACK PLATE DRAWING .....	6
<b>5.1 RoHS &amp; REACH COMPLIANCE DECLARATION LETTER.....</b>	<b>7</b>

# 1. ECR Catalog

Item	ECO No.	Date	Description

# 2. Heatsink Assembly

## 2.1 Heatsink Drawing:

REVISIONS		LOCATION	DRAWN	DATE
REV	DESCRIPTION			
A	DWG. REL.		Andy	28-Jul-19

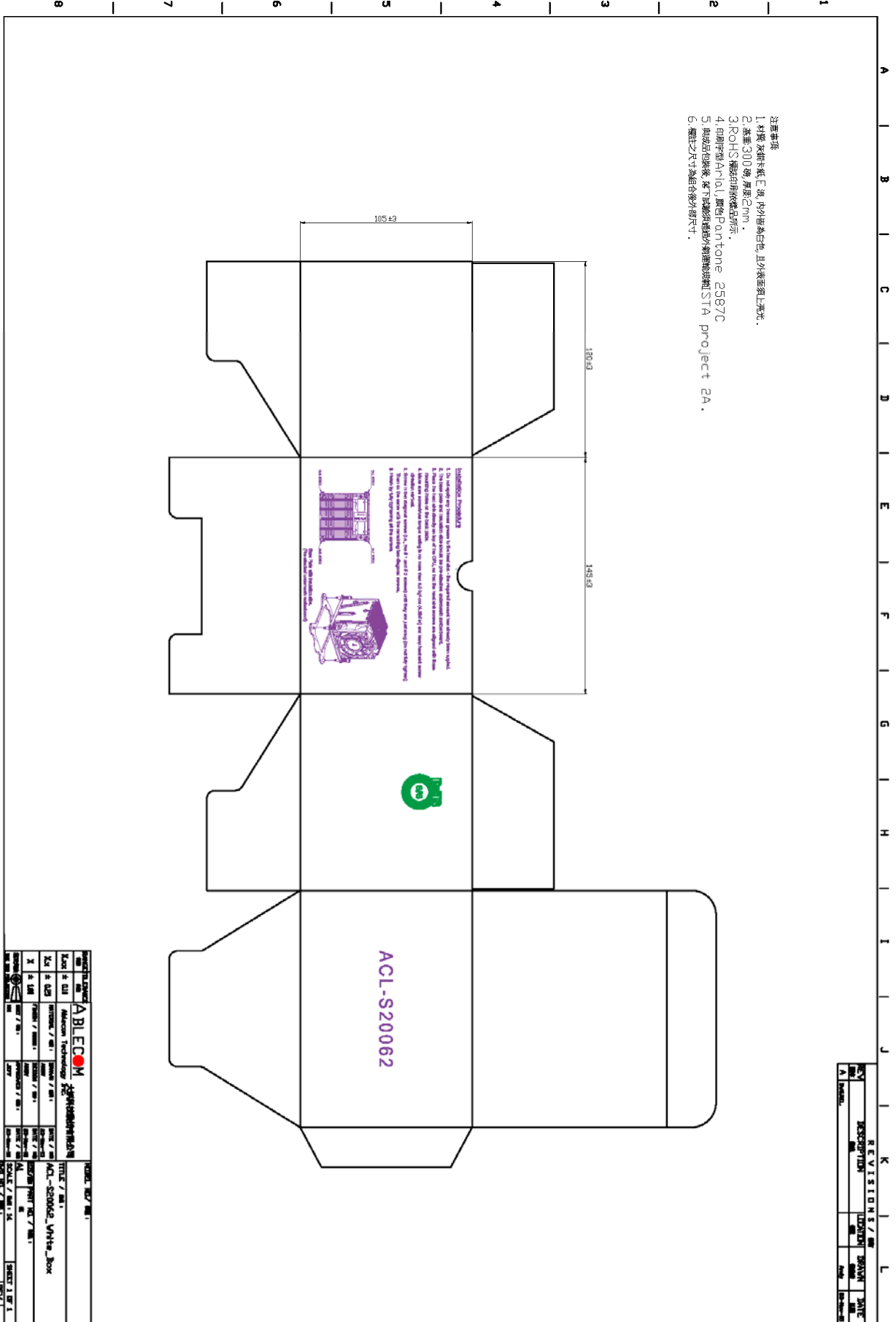
**NOTES:**

1. INTERPRET DIMENSIONS PER CHS
2. COPPER ALLOY: JIS C1100  
ALUMINUM BASEPLATE: A1050  
FINISH: 0.3MM THICK JIS A1050  
FEEL: P10. INTERIOR W/CR STRUCTURE WITH PURE WATER  
FILL 4X0.6mm
3. PRINT SERIAL NUMBER: DDDDD  
PART NUMBER: ACL-S20062  
MONTH CODE: AA  
YEAR CODE: 19  
DAY CODE: 01  
SERIAL CODE: DDDDD0001-99999
4. DRAWING FOR INSPECTION PURPOSES ONLY. ACTUAL PART SHALL CONFORM TO ELECTRONIC DATABASE.
5. ALL EDGES SHALL BE CONDITIONED FOR HANDLING WITH INDUSTRY STANDARD GRINDING GREATER THAN 10 PERCENT OF MATERIAL THICKNESS.
6. HEATSINK STATIC COMPRESSIVE LOAD: 20.4KGF(2.3MGF/45LBF/45LBF)
7. MINIMUM OF 20 MGS PULL FORCE NEEDED FOR WIDER FINS AND H/P NEEDED FOR SHORTER FINS AND H/P WITH BASEPLATE BOND STRENGTH.
8. SURFACE AREA INDICATED SHALL BE FLAT WITHIN STATED LIMITS:  
0.8mm CONVECTIVE AREA  
0.00mm CONVECTIVE AREA  
THE REMAINING AREA SHALL BE 0.13mm.
9. GREASE (SHIN-ETSU X-23-7688-2D) SHALL BE APPLIED IN AREA INDICATED THICKNESS TO BE 0.13mm.
10. ALL COMPONENTS AND THEIR MANUFACTURING PROCESS SHALL BE RoHS COMPLIANT.

ITEM	Item Best Color Text & Icon Color	P/N	CUSTOMER
01	<b>ABLECOM</b> Ablecom Technology Inc.	MODEL NO.	TITLE:
RANGE TOLERANCE			ACL-S20062
X, Y, Z ±0.25			DATE: 28-Jul-19
X, Y ±0.50			DRAWN: Andy
X ±1.00			DATE: 28-Jul-19
SEE NOTES			DESIGN: Andy
SEE NOTES			DATE: 28-Jul-19
UNIT: MM			APPROVED: Andy
THE 3RD DECIMAL			DATE: 28-Jul-19
SCALE: 1:1			DRAWING NO.
SHEET 1 OF 1			REV. A

### 2.2 Heatsink White Box Drawing:



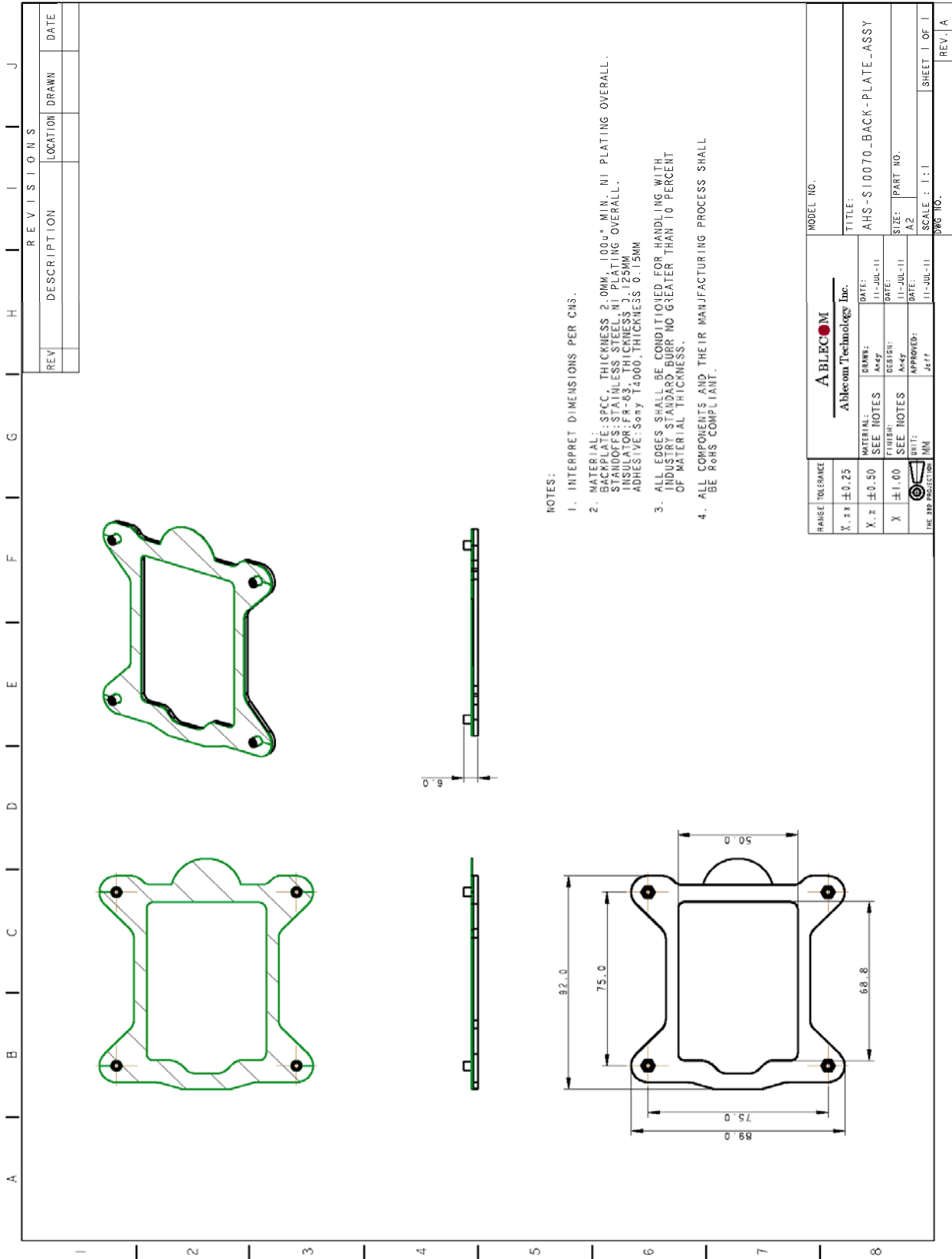
- 注意事項
1. 材料採用特種紙，紙內外皆為白色，且外表面須上亮光。
  2. 蓋重 300 磅，厚度 2 mm。
  3. ROHS 標誌印刷樣品所示。
  4. 印刷字體 Arial，顏色 Pantone 2587C
  5. 與成品包裝後，將下列數據提供給物理組組長 STA project 2A。
  6. 標註之尺寸為組自檢勿前尺寸。

REV		DESCRIPTION / DIM		DATE	
A	INITIALS				

PROJECT / DRAWING		ABLECOM		製板組/組長	
Kind	Rev	Material	Quantity	Unit	Notes
K01	01	Material	7	unit	
X	01	Material	7	unit	
PROJECT / DRAWING		ABLECOM		製板組/組長	
Kind	Rev	Material	Quantity	Unit	Notes
K01	01	Material	7	unit	
X	01	Material	7	unit	

### 3. Back Plate Assembly

#### 3.1 Back Plate Drawing:



- NOTES:
1. INTERPRET DIMENSIONS PER CNS.
  2. MATERIAL: SPCC, THICKNESS 2.0MM, 100µ" MIN. NI PLATING OVERALL. STANDOFFS: STAINLESS STEEL, NI PLATING OVERALL. INSULATOR: FR-83, THICKNESS 2.125MM. ADHESIVE: Soly 14000, THICKNESS 0.15MM
  3. ALL EDGES SHALL BE CONDITIONED FOR HANDLING WITH INDUSTRY STANDARD BURR NO GREATER THAN 10 PERCENT OF MATERIAL THICKNESS.
  4. ALL COMPONENTS AND THEIR MANUFACTURING PROCESS SHALL BE ROHS COMPLIANT.

### 4.1 RoHS & REACH Compliance Declaration Letter

**ABLECOM**<sup>®</sup>  
大訊科技股份有限公司

**ABLECOM TECHNOLOGY INC.**  
(235)5F,NO.228,Lian-Cheng Road Chung Ho  
District,New Taipei City 235,Taiwan(R.O.C.)  
<http://www.ablecom.com.tw>

Company Name: ABLECOM TECHNOLOGY Inc.  
CEO : Steve Liang  
Contact Name: Roger Hsu  
E-Mail: roger\_hsu@ablecom.com.tw

Subject: Compliance Letter for European Union RoHS Directive 2011/65/EU & Annex II  
Modified Directive 2015/863/EU& European Union PFOS Directive  
2006/122/EC & European Union PPW Directive 2005/20/EC.

To: All Customer

The product(s) listed below (hereinafter "Products") are products currently available and compliant with the European Union RoHS Directive 2011/65/EU (hereinafter "Directive") so long as they are used as provided for in the Server exemption, located in Section 6 & 7 (hereinafter "Server Exemption") of the Directive Annex. Use of the Products outside of the scope of the Server Exemption will not be compliant with the Directive. As such, any use of the Products by the customer outside of the scope set forth in Section 6 & 7 of the Annex shall be at customers' sole risk. The product(s) list below also compliant with EU PFOS Directive 2006/122/EC and EU PPW Directive 2005/20/EC.



**Disclaimer:**

Customer believes that the information provided herein is accurate to the best of its knowledge as of the date of this letter. Customer bases such knowledge and belief on information provided by third parties (e.g., component suppliers) and makes no representation or warranty regarding the accuracy of such third party information.

Model name(s):

All Ablecom's products and components are compliant with EU RoHS  
(2011/65/EU and Annex II modified directive 2015/863/EU),  
All Ablecom's products and components are compliant with EU PFOS (2006/122/EC),  
All Ablecom's products and components are compliant with EU PPW (2005/20/EC),

On behalf of Ablecom,

CEO :   Date : 2019/1/2

Ablecom RoHS Compliance 2019



REACH Declaration of Conformity
REACH 符合性聲明

Ablecom Technology., Inc.
Address: 5F,NO.228, Lian-Cheng Road Chung Ho District, New Taipei City 235, Taiwan (R.O.C.)
Tel: +886-2-82265958
大訊科技股份有限公司
地址：235 新北市中和區連城路 228 號 5 樓
電話：+886-2-82265958

Ablecom Technology., Inc. hereby declare that our products fully comply with the European Union's Regulation(EC) No.1907/2006 of the European Parliament and of the Council of 18 December 2006 concerning the registration, Evaluation Authorization, and Restriction of Chemicals (REACH). Specifically:

大訊科技股份有限公司特此聲明，我們的產品完全符合 2006 年 12 月 18 日歐洲議會和理事會的歐洲聯盟法規(EC)No.1907 / 2006，其中包括化學品的註冊，評估，許可和限制。具體來說：

- 1. Our products do not contain any of the Substances of Very High Concern (SVHC) above the specified concentrations, as defined in Article 57 and Annex XIV (including all amendments).
我們的產品不含任何超過規定濃度的高度關注物質(SVHC)，如第 57 條和附錄 XIV(包括所有修訂)所定義。
2. Our products do not contain any of the restricted substances, as defined in Article 67 and Annex XVII (including all amendments).
我們的產品不含任何限制物質，如第 67 條和附件 XVII(包括所有修正案)所定義。

We shall monitor all changes to this Directive and Annexes XIV and XVII, and ensure that our products continue to be Compliant with all future requirements and amendments.
我們將監控本指令和附件 XIV 和 XVII 的所有變更，並確保我們的產品繼續符合所有未來的要求和修訂。

Yours sincerely
致此



Confirmed by 簽署者 : Steve Liang Title 職稱 : CEO

Signature 簽署 : Date 簽署日 : 2019.4.18

Ablecom REACH Compliance 2019