

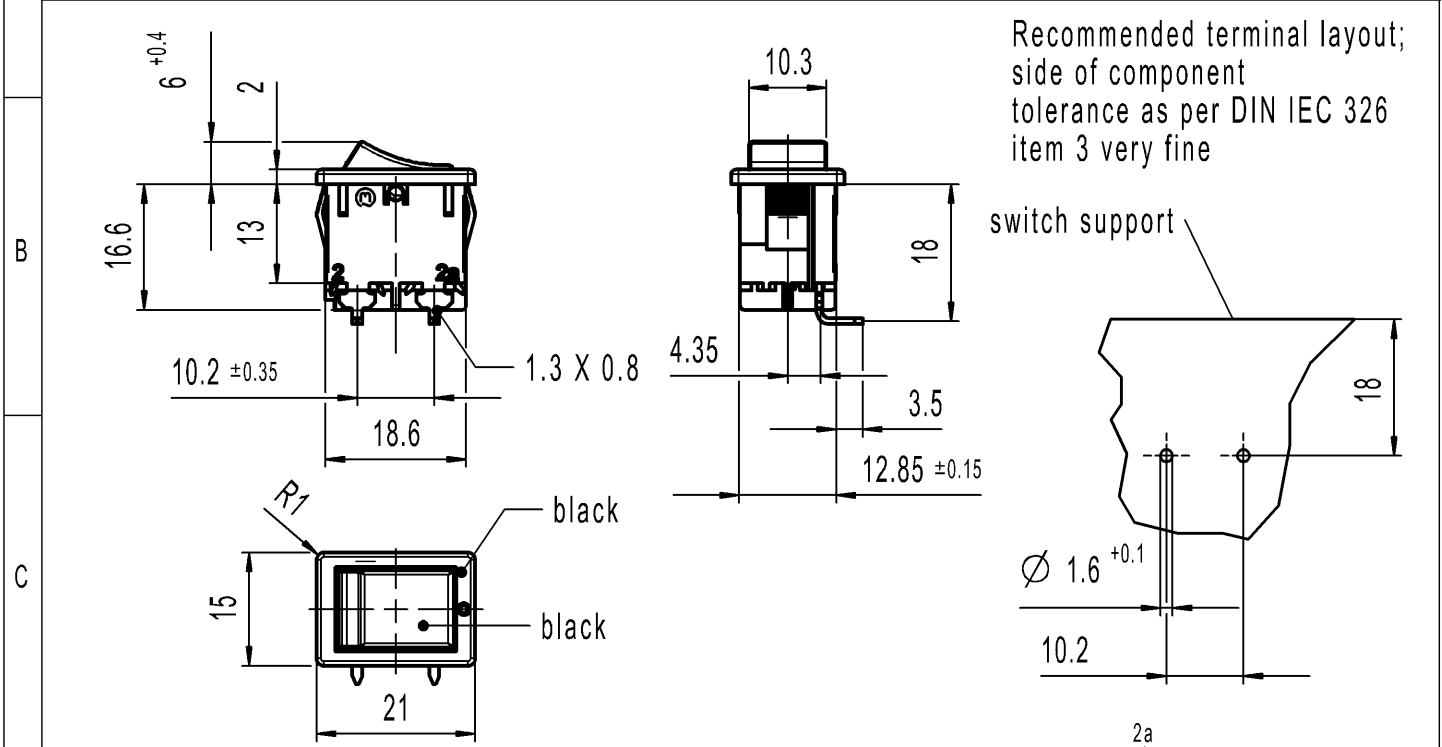
THIS DRAWING IS THE EXCLUSIVE PROPERTY OF MARQUARDT. WITHOUT THEIR CONSENT IT MAY NOT BE REPRODUCED OR GIVEN TO THIRD PARTIES.

CONFIDENTIAL

VERTRAULICH

Alle Rechte bei Marquardt, auch fuer den Fall von Schutzrechtsanmeldungen. Jede Veruegungsbefugnis, wie Kopier- und Weitergaberecht, bei uns.

A	recommended cut-out for snap-in fixing (edge opposite to snap-in direction)	1	2	3	4
		wall thickness	length of cut-out	width of cut-out	
		0.75 to 1.25	19.2 -0.1	12.9+0.1	
		1.25 to 2	19.4 -0.1	12.9+0.1	
		2 to 3	19.8 -0.1	12.9+0.1	



Recommended terminal layout;  
side of component  
tolerance as per DIN IEC 326  
item 3 very fine

switch support

Marking



1858.  
6(4)/250~5E4  
10(4)/250 ~ T100/55  
5/100A 250V ~

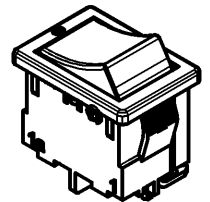


12A 125-250V AC  
1/3 HP 125V AC  
1/2 HP 250V AC  
R138

Code of manufacture: place/year/week

On box: G

SPST  
Suitable for appliance of class II  
Protected according to DIN 40 050, IP40  
G= matching IEC 60335-1:2001 clause 30



-	-	-	1858.9202-XX
Figure	Type	Customer Part No.	Art.No.-PI
Shape and location	Angle ± 2 °	Sheet 01	Ident. K
	Edge tolerance	Format DIN A4	Document number 18589202
	0-6	Projection	Index 0
	>6-15	Scale 1:1	Appliance Switch
>15-30	All dimensions are in millimetres	System NX V1872	
			Replacement of
o	141198	Zg.gl.Nr.v.24.03.1994	
n	47886		
m	42861		MARQUARDT
l	42200		
Index	MEC-No.	Date (YYYY-MM-DD)	
		Edited by	