

# PRODUCT CHANGE NOTIFICATION

Ref Nr: EBR-0176-16092001

Date: Sep, 20th, 2016

**TO:** Customer who may concern

**FROM:** Product Marketing, R-chip BU

**HEREWITH YOU ARE INFORMED OF OUR INTENTION TO CHANGE THE FOLLOWING PRODUCTS.**

**DESCRIPTION:**

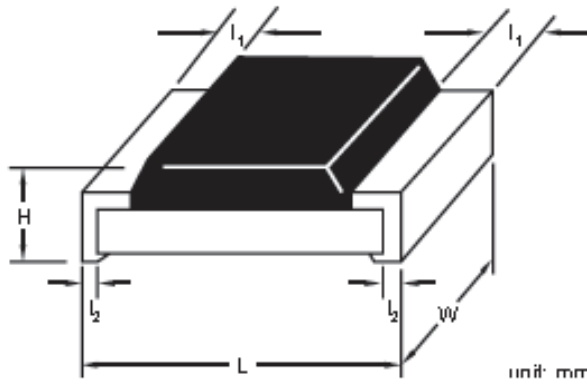
This notification is to inform you that in order to extend the R-value range from 1R~150R to 1R~1M of RC2512 double power (7W) · Yageo will change the design of products to meet product performance.


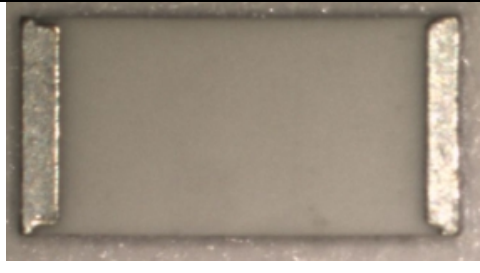
Effect on Yageo PN: RC2512xK-7WxxxxL series

	Product design change
Before change	
After change	

	Before change	After change
R-value	1R~150R	1R~1M
Product appearance-front		
Product appearance-side		

Dimensions:



	Before change	After change
$l_2$	1.15 ± 0.20 mm	0.50 ± 0.20 mm
Product appearance-back		

**REASONS:** Extend R-value range

**EXPECTED INFLUENCE ON PERFORMANCE:** NA

**EXPECTED INFLUENCE ON QUALITY AND RELIABILITY:** NA

**CHANGE:**

**WITHDRAWAL:** None

Quality REPORTS available: Yes  
 SAMPLES available: Yes  
**PRODUCTION start:** March 25<sup>th</sup>, 2017  
 Type identification after change: None

**SUGGESTION FOR ALTERNATIVE PRODUCTS:** None

Quality Manager: *Brian Liu*  
 Signature:

Product Manager: *Aaron Juang*  
 Signature:

Sales Manager:  
 Signature:

Date: 2016-09-20

Date: 2016-09-20

Date:

**FOR MORE INFORMATION, CONTACT:** Yageo contact window

**RETURN YOUR COMMENTS BEFORE:** Oct. 14<sup>th</sup>, 2016

Remarks:

Comments:

Date:

Function:

Signature: