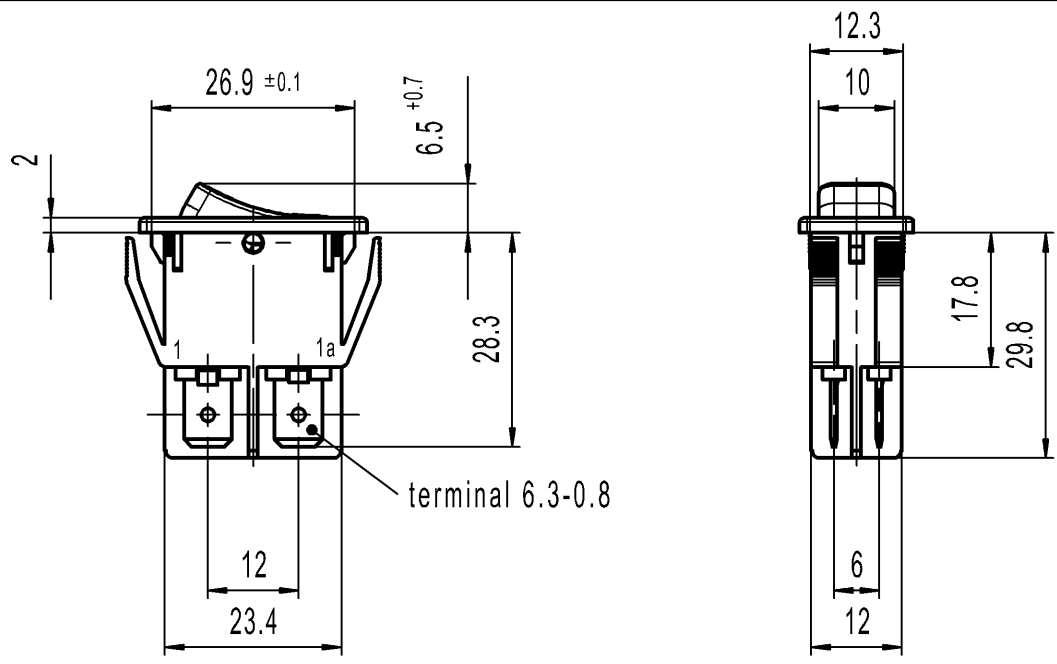


CONFIDENTIAL

VERTRAULICH

THIS DRAWING IS THE EXCLUSIVE PROPERTY OF MARQUARDT. WITHOUT THEIR CONSENT IT MAY NOT BE REPRODUCED OR GIVEN TO THIRD PARTIES.

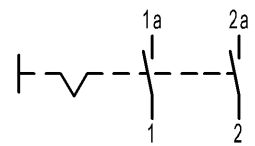
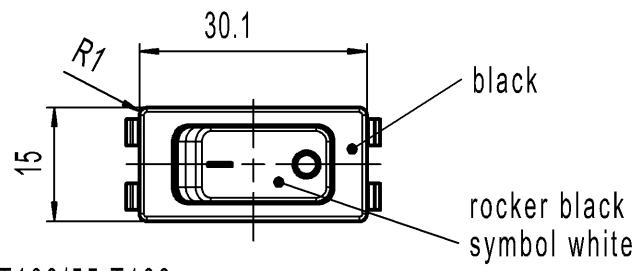
1	2	3	4
recommended cut-out for snap-in fixing (edge opposite to snap-in direction)	wall thickness	length of cut-out	width of cut-out
	0.8 to 5.0	27.2 ±0.1	12.2±0.2



Marking



155..  
16 (4) / 250 ~ T100/55 T100  
10 (4) / 250 ~ 5E4  
5/100A 250V ~



16A 125-250V AC  
1 HP 125V AC  
2 HP 250V AC  
R38

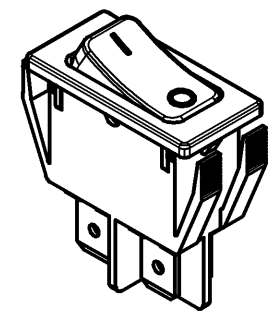
DPST

Suitable for appliances of class II  
V0-Material according to UL standard 94

G=matching IEC 60335:2001 clause 30

Code of manufacture:  
place/year/week

On box: Customer No. see variant table  
G



Alle Rechte bei Marquardt, auch fuer den Fall von Schutzrechtsanmeldungen. Jede Veruegungsbefugnis, wie Kopier- und Weitergaberecht, bei uns.

-	-	0042576	1552.3112-XX																																			
Figure	Type	Customer No.	Art.No.-PI																																			
Shape and location	Angle ± 2 °	Sheet 01	Ident. K																																			
	Edge tolerance	Format DIN A4	Document number 15523112																																			
	<table border="1"> <thead> <tr> <th colspan="2">Length</th> <th colspan="2">Radii</th> </tr> <tr> <th>&gt;0-6</th> <th>± 0.2</th> <th>0-6</th> <th>± 0.2</th> </tr> </thead> <tbody> <tr> <td>&gt;6-15</td> <td>± 0.4</td> <td>&gt;6-15</td> <td>±</td> </tr> <tr> <td>&gt;15-30</td> <td>± 0.4</td> <td>&gt;15-30</td> <td>±</td> </tr> <tr> <td>&gt;30-70</td> <td>±</td> <td>&gt;30-200</td> <td>±</td> </tr> <tr> <td>&gt;70-120</td> <td>±</td> <td></td> <td>±</td> </tr> <tr> <td>&gt;120-200</td> <td>±</td> <td></td> <td>±</td> </tr> <tr> <td></td> <td>±</td> <td></td> <td>±</td> </tr> <tr> <td></td> <td>±</td> <td></td> <td>±</td> </tr> </tbody> </table>	Length		Radii		>0-6	± 0.2	0-6	± 0.2	>6-15	± 0.4	>6-15	±	>15-30	± 0.4	>15-30	±	>30-70	±	>30-200	±	>70-120	±		±	>120-200	±		±		±		±		±		±	Index g
		Length		Radii																																		
>0-6	± 0.2	0-6	± 0.2																																			
>6-15	± 0.4	>6-15	±																																			
>15-30	± 0.4	>15-30	±																																			
>30-70	±	>30-200	±																																			
>70-120	±		±																																			
>120-200	±		±																																			
	±		±																																			
	±		±																																			
g	135499	2021-01-19	MUT																																			
f	69572	2010-10-04	HHE																																			
e	47793	2006-07-13	HHE																																			
d	45327	2005-11-14	hhe																																			
Index	MEC-No.	Date (YYYY-MM-DD)	Edited by																																			
		System NX V11.0	Appliance Switch																																			
		Replacement of Zg.gl.Nr.v.28.11.1994																																				
		MARQUARDT																																				