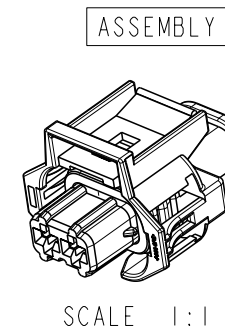
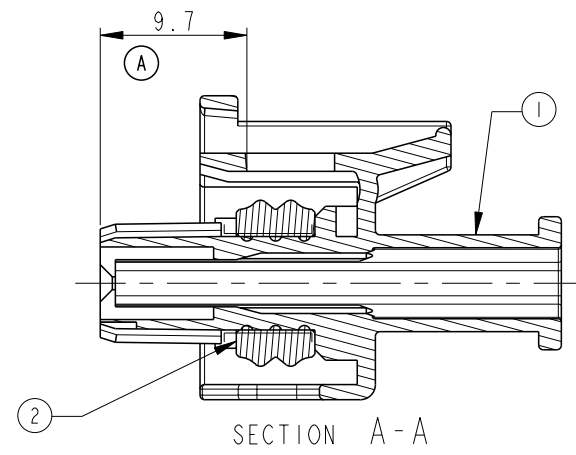
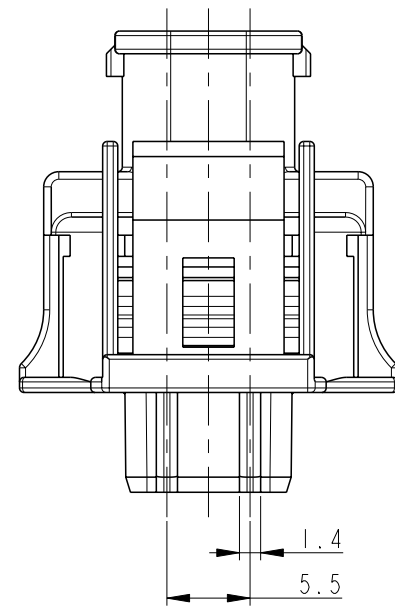
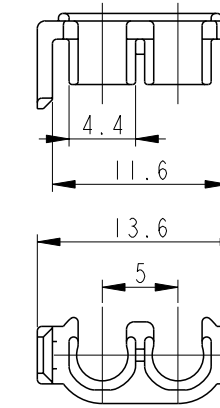


REVISIONS				
P	LTR	DESCRIPTION	DATE	APVD
G2		REVISED(ECR-16-006117)	27.APR.'16	JM JW
H		REVISED(ECR-17-013149)	28.SEP.'17	JS YJ
H1		REVISED(ECR-19-000557)	11JAN2019	SY YJ
H2		REVISED(ECR-19-008472)	29MAY2019	SY YJ

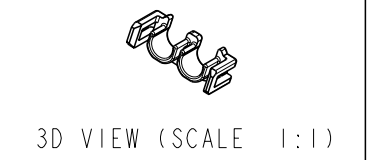


ACCESSORIES DRAWING

⑥ 1. DBL HSG : P/N:936103

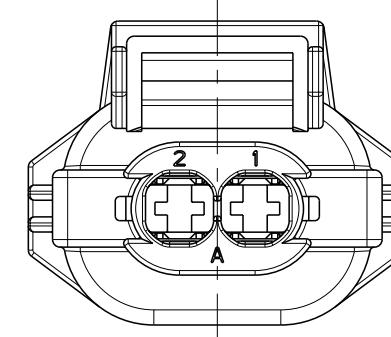
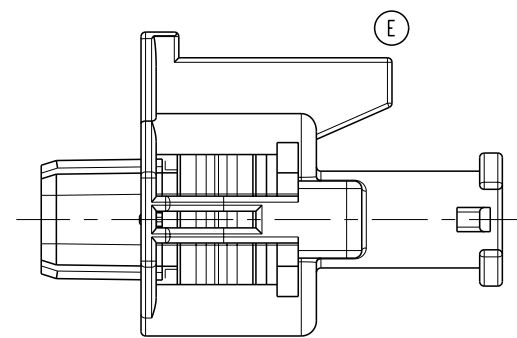
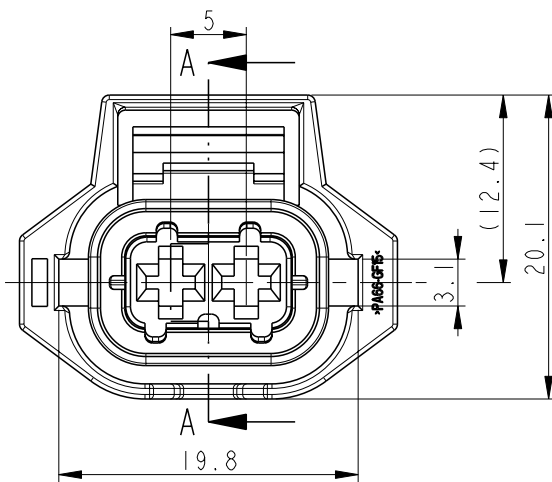
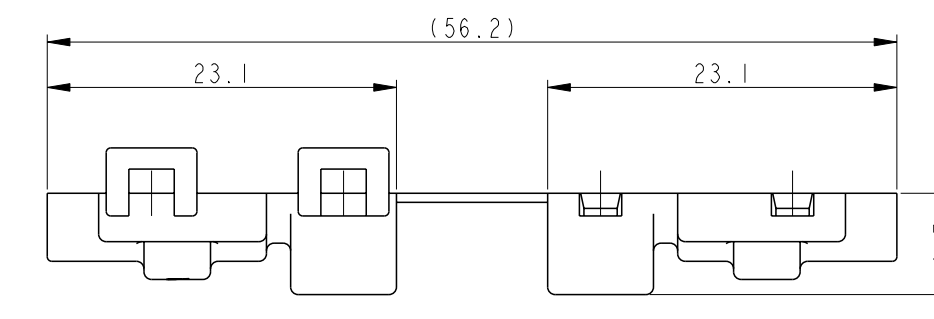
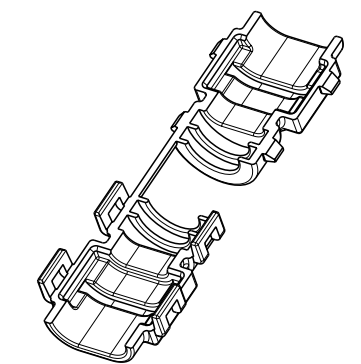


NOTE  
 ⑥ 1. MATERIAL: PBT



⑥ 2. COVER HSG : P/N:936111

NOTE  
 ⑥ 1. MATERIAL: PA66  
 2. CORRUGATOR DIAMETER : Ø7.0



NOTE  
 △ CODING IS AS FOLLOWS: SEE TABLE I  
 2. 0.15 MAX. WARPAGE AND 0.2 MAX. FLASH ARE PERMISSIBLE  
 3. SURFACE DEFECTS ARE NOT ACCEPTABLE AS FOLLOWS: SINK, WELD LINES, HIRCRACKS, STAINS & SCORES  
 4. APPLIED RECEPTABLE CONTACT P/N:

DESCRIPTION	2.8mm SENSOR-FLAT RECEPTACLE	
PART NO.	967542	967543
WIRE SIZE (mm ) (H2)(H1)	0.5 ~ 1.0	1.25 ~ 2.5

5. APPLIE WIRE SEAL P/N:

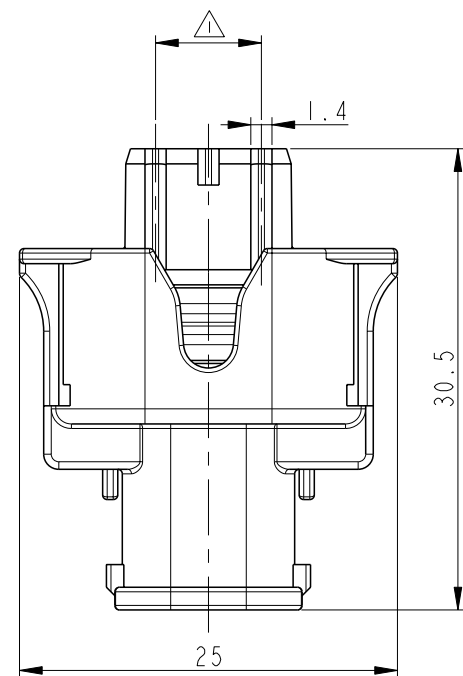
DESCRIPTION	SINGLE WIRE SEAL (5mm HOLE)	
PART NO.	828904	967543
INSULATION DIA. (Ø)	1.2 ~ 2.1mm	2.2 ~ 3.0mm

[TABLE I] (SCALE 1:1)

CODE I	CODE II
① CODE I : 0-936059-1	③ CODE II : 1-936059-1
② CODE I : 0-936059-2	④ CODE II : 1-936059-3
⑥ CODE I : 0-936059-3	

⑥ CODE III : 2-936059-1	CODE IV : T.B.D.



Q'TY	P/N	DESCRIPTION	MATERIAL	COLOR/FINISH	NO.
①	936800-3	INNER SEAL	SILICONE	SIGNAL GRAY	2
②	936800-2	INNER SEAL	SILICONE	ULTRAMARINE BLUE	2
	936800-1	INNER SEAL	SILICONE	RED ORANGE	2
③	3-936102-1	PLUG HSG	PA66 GF15	BLACK	1
④	2-936102-1	PLUG HSG	PA66 GF15	BLACK	1
⑤	1-936102-3	PLUG HSG	PA66 GF15	DARK GRAY	1
	1-936102-1	PLUG HSG	PA66 GF15	BLACK	1
⑥	936102-3	PLUG HSG	PA66 GF15	GRAY	1
	936102-1	PLUG HSG	PA66 GF15	BLACK	1

ASS'Y P/N 3-936059-1 (G) 2-936059-1 (G) 1-936059-3 (F) 1-936059-1 (C/D) 936059-3 (G) 936059-2 (B) 936059-1	THIS DRAWING IS A CONTROLLED DOCUMENT.		DWN JM JEON	TE Connectivity 2.8mm SELAED 2P PLUG ASSEMBLY (FLAT SENSOR CONNECTOR)
	DIMENSIONS: mm		CHK JW JUNG	
	TOLERANCES UNLESS OTHERWISE SPECIFIED: 0 PLC ± 1 PLC ± 2 PLC ±0.3 3 PLC ± 4 PLC ± ANGLES ±3 FINISH		APVD HG CHO	
	MATERIAL SEE TABLE		PRODUCT SPEC APPLICATION SPEC 114-18144	
CUSTOMER DRAWING			WEIGHT -	NAME SIZE A2 CAGE CODE 00779 DRAWING NO. C-936059 RESTRICTED TO SCALE 2:1 SHEET 1 OF 1 REV H2