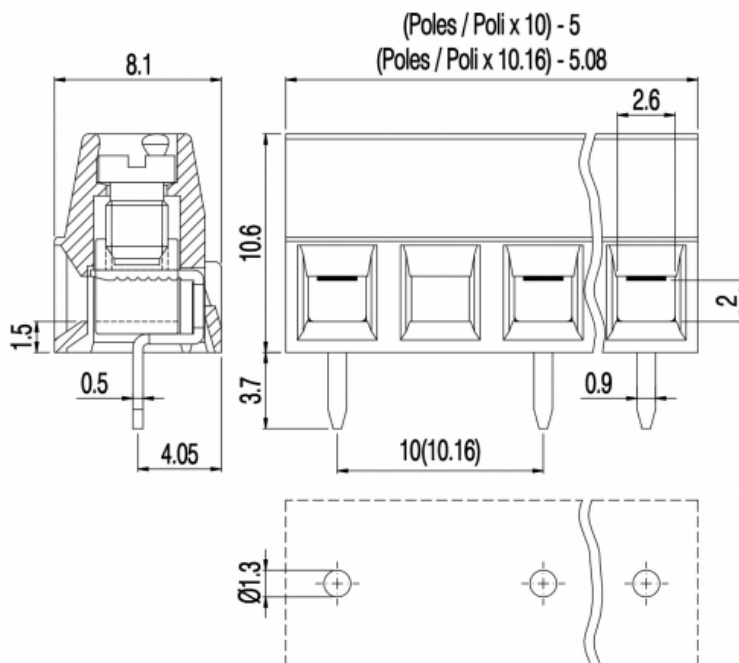


MV15x-10,16-V-L euroclamp



Single-deck terminal block - Stackable version - Pitch 10,16mm - 2÷6 poles

GENERAL INFORMATION

pitch:	10,16 mm
housing height:	10,60 mm
housing depth:	8.1 mm
dimensional class:	slow
wire section:	1.5 mm ² / 16 AWG
clamp opening size:	2.6 × 2 mm
wire stripping:	max 6 mm
operating temperature:	-40°C ÷ +130°C

ELECTRICAL CHARACTERISTICS

current:	13.5A
voltage:	750V
test voltage:	2 kVrms/60s

MECHANICAL CHARACTERISTICS

screw:	M3
max. torque:	0.5 Nm / 4.5 in.lbs

APPROVALS DATA



EN 60998-1



-



UL 1059

13.5A factory / 10A field

current: 13.5A

-

voltage: 750V

-

600V

wire section: 1.5mm²

-

16÷30AWG

torque: 0.5Nm

-

4.5Lb-in

FILE: EQ202

-

E178356

MATERIALS

housing: PA - UL 94 V0

AVAILABLE COLOURS

screw:
clamp/spring:
terminal:

Galvanized steel
Nickel copper alloy
Tin-plated copper alloy



other colours:

upon request

poles	P/N	pcs/pack	W [Kg]*	W [Kg]*
2	MV152-10,16-V-L	N/A	N/A	N/A
3	MV153-10,16-V-L	N/A	N/A	N/A
4	MV154-10,16-V-L	N/A	N/A	N/A
5	MV155-10,16-V-L	N/A	N/A	N/A
6	MV156-10,16-V-L	N/A	N/A	N/A