

## Data Sheet | Item Number: 2091-1508/002-000

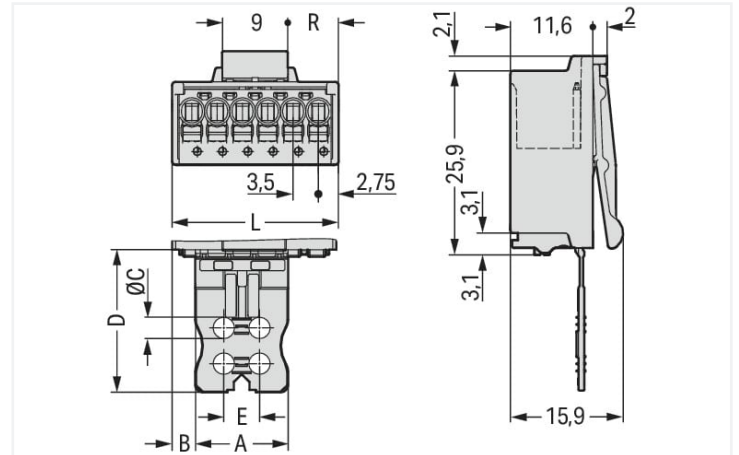
1-conductor male connector; Push-in CAGE CLAMP®; 1.5 mm²; Pin spacing 3.5 mm; 8-pole; Gripping plate; 1,50 mm²; light gray

<https://www.wago.com/2091-1508/002-000>



Color: ■ light gray

Similar to illustration



Dimensions in mm

$L = (\text{pole no.} \times \text{pin spacing}) + 2 \text{ mm}$

Even pole number  $R = (L - 9 \text{ mm}) : 2$

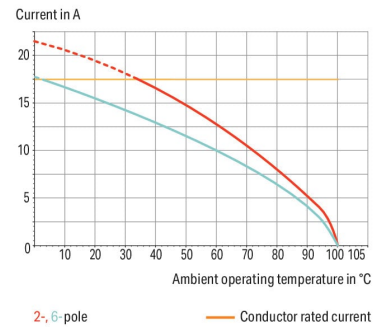
Odd pole number  $R = (L - 12.5 \text{ mm}) : 2$

### Gripping plate Dimensions (in mm):

Pole No.	A	B	C	D	E
2	6	1.45	–	17	–
3	6	3.20	–	17	–
4	6	3.20	–	17	–
5	13	3.25	3	20	5
6	13	3.25	3	20	5
7	13	6.75	3	20	5
8	27	3.25	4.2	25	8
10	27	6.75	4.2	25	8
12	27	5.75	4.2	25	8

### Derating Curve

1-conductor female connector (2091-1126) with  
1-conductor male connector (2091-1526/002-000)  
Pin spacing: 3.5 mm / Conductor cross-section: 1.5 mm² "F-st"  
Based on: EN 60512-5-2 / Reduction factor: 0.8



- Universal connection for all conductor types
- Simple, push-in termination of solid and ferruled conductors
- Easy-to-use design does not require special tools
- Testing parallel to conductor entry – tip contact
- For "wire-to-wire" and "board-to-wire" connections
- Integrated release lever

### Notes

Safety information

The **picoMAX® Pluggable Connection System** includes connectors without breaking capacity in accordance with DIN EN 61984. When used as intended, these connectors must not be connected/disconnected when live or under load. The circuit design should ensure header pins, which can be touched, are not live when unmated.

Variants:

Direct marking

Other versions (or variants) can be requested from WAGO Sales or configured at <https://configurator.wago.com/>.

## Electrical data

Ratings per	IEC/EN 60664-1			Approvals per	UL 1059		
Overvoltage category	III	III	II	Use group	B	C	D
Pollution degree	3	2	2	Rated voltage	300 V	-	300 V
Nominal voltage	160 V	160 V	320 V	Rated current	10 A	-	10 A
Rated surge voltage	2.5 kV	2.5 kV	2.5 kV				
Rated current	10 A	10 A	10 A				

## Connection data

Connection points	8	<b>Connection 1</b>	
Total number of potentials	8	Connection technology	Push-in CAGE CLAMP®
Number of connection types	1	Actuation type	Push-button
Number of levels	1	Actuation direction 1	Operation parallel to conductor entry
		Solid conductor	0.2 ... 1.5 mm <sup>2</sup> / 24 ... 14 AWG
		Fine-stranded conductor	0.2 ... 1.5 mm <sup>2</sup> / 24 ... 14 AWG
		Fine-stranded conductor; with insulated ferrule	0.25 ... 0.75 mm <sup>2</sup>
		Fine-stranded conductor; with uninsulated ferrule	0.25 ... 1.5 mm <sup>2</sup>
		Strip length	8 ... 9 mm / 0.31 ... 0.35 inches
		Pole number	8

## Physical data

Pin spacing	3.5 mm / 0.138 inches
Width	30 mm / 1.181 inches
Height	15.9 mm / 0.626 inches
Depth	47 mm / 1.85 inches

## Mechanical data

Variable coding	Yes
Design	with gripping plate
Anti-rotation protection	Yes

## Plug-in connection

Contact type (pluggable connector)	Male connector/plug
Connector (connection type)	for conductor
Mismatching protection	No
Plugging without loss of pin spacing	Yes
Locking of plug-in connection	Locking latch

## Material data

Note (material data)	<a href="https://www.wago.com/us/material-specifications">Information on material specifications can be found here</a>
Color	light gray
Material group	I
Insulation material	Polyphthalamide (PPA GF)
Flammability class per UL94	V0
Clamping spring material	Chrome-nickel spring steel (CrNi)
Contact material	Electrolytic copper (E <sub>Cu</sub> )
Contact plating	Tin
Fire load	0.112 MJ

### Material data

Weight	8.1 g
--------	-------

### Environmental requirements

Limit temperature range	-60 ... +100 °C
Processing temperature	-35 ... +60 °C

### Commercial data

Product Group	26 (picoMAX Connectors)
eCl@ss 10.0	27-14-11-06
eCl@ss 9.0	27-14-11-06
ETIM 8.0	EC001284
ETIM 7.0	EC001284
PU (SPU)	50 pcs
Packaging type	Box
Country of origin	DE
GTIN	4050821161349
Customs tariff number	85366930000

### Environmental Product Compliance

RoHS Compliance Status	Compliant, No Exemption
------------------------	-------------------------

### Approvals / Certificates

#### General approvals



Approval	Standard	Certificate Name
CB DEKRA Certification B.V.	IEC 61984	NL-49736/A1
CSA DEKRA Certification B.V.	C22.2	2362521
CSA DEKRA Certification B.V.	C22.2 No. 158	2362521
KEMA/KEUR DEKRA Certification B.V.	EN 61984	71-102260 REV.1
UL Underwriters Laboratories Inc.	UL 1977	E45171
UR Underwriters Laboratories Inc.	UL 1059	E45172

## Downloads

## Environmental Product Compliance

## Compliance Search

Environmental Product  
Compliance  
2091-1508/002-000



## Documentation

## Additional Information

Technical Section

03.04.2019

pdf

2010.85 KB



## CAD/CAE-Data

## CAD data

2D/3D Models  
2091-1508/002-000



## CAE data

ZUKEN Portal  
2091-1508/002-000



## 1 Compatible Products

## 1.1 System counterpart

## 1.1.1 Female connector/socket

**Item No.: 2091-1128**

1-conductor female connector; push-button; Push-in CAGE CLAMP®; 1.5 mm<sup>2</sup>; Pin spacing 3.5 mm; 8-pole; 1,50 mm<sup>2</sup>; light gray

**Item No.: 2091-1328**

THT female header; angled; Pin spacing 3.5 mm; 8-pole; 0.4 x 0.9 mm solder pin; light gray

**Item No.: 2091-1308**

THT female header; straight; Pin spacing 3.5 mm; 8-pole; 0.4 x 0.9 mm solder pin; light gray

## 1.2 Optional Accessories

## 1.2.1 Coding

## 1.2.1.1 Coding

**Item No.: 2091-1610**

Coding key carrier; suitable for 3.5 mm pin spacing; orange