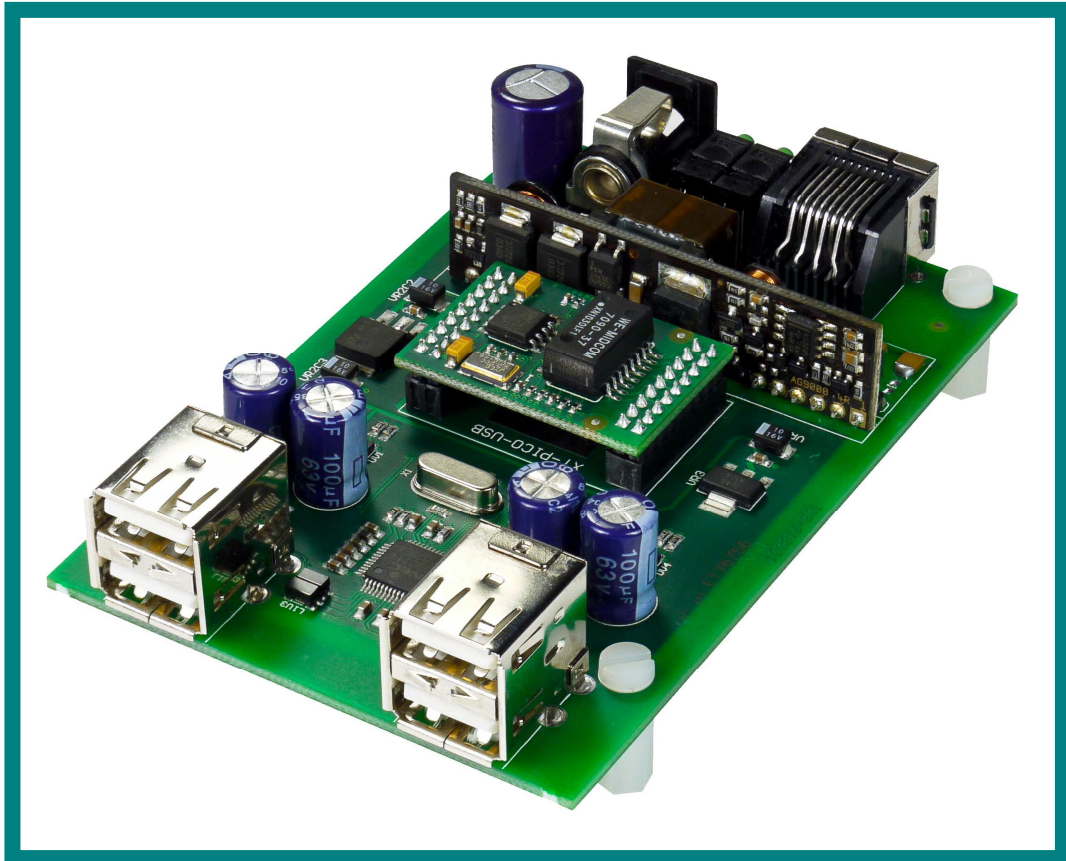




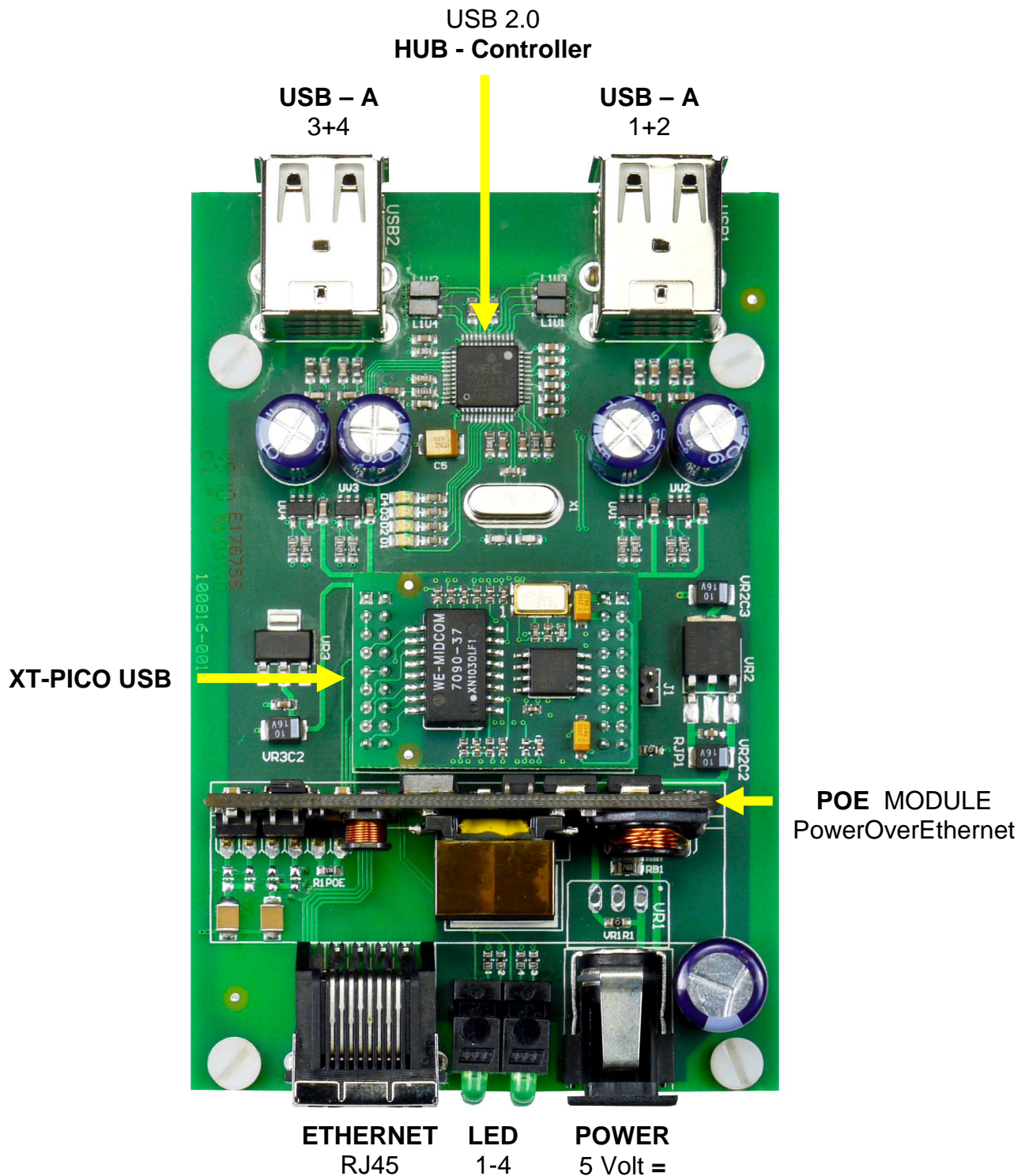
EVA-KIT



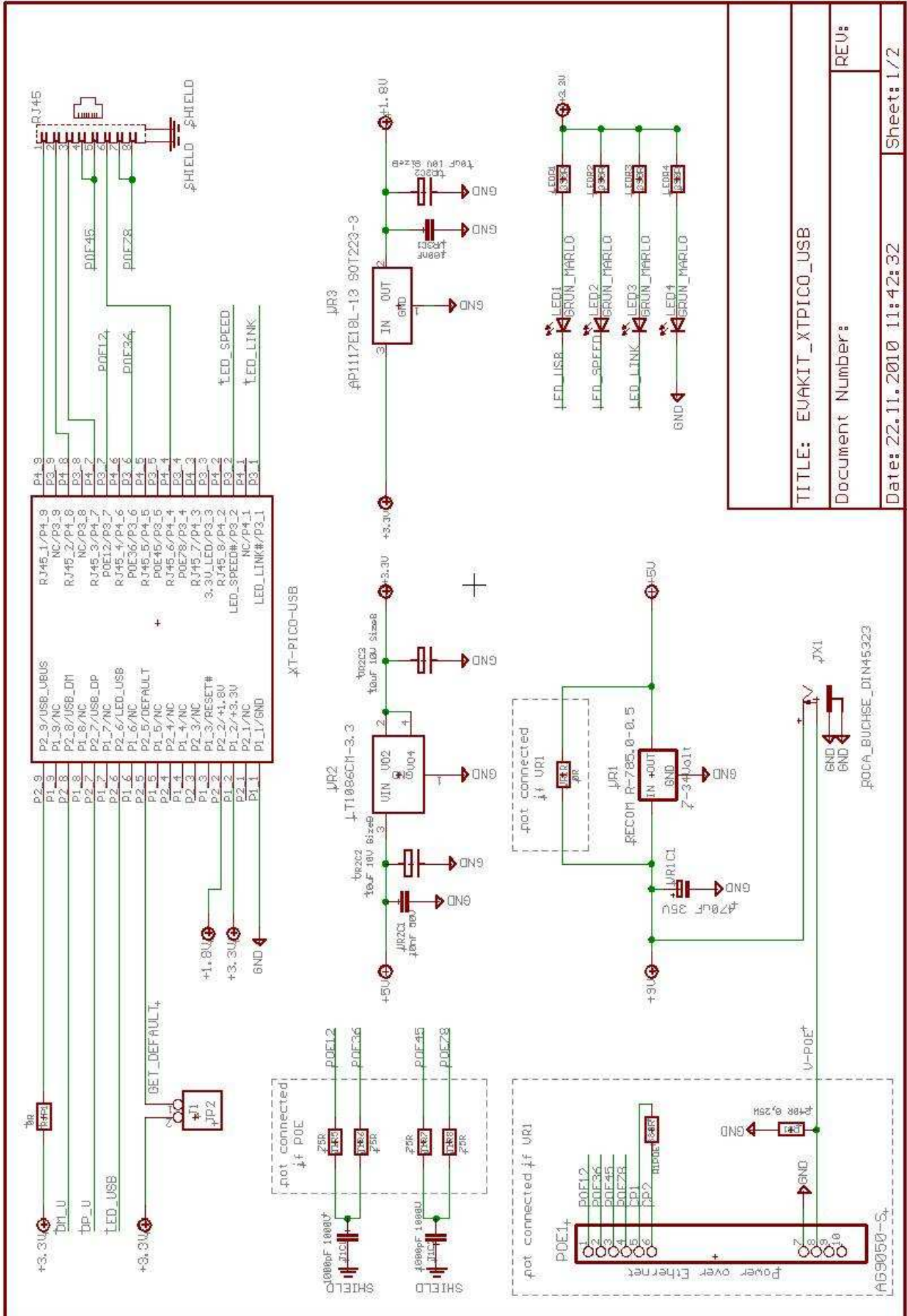
XT-PICO-USB

The EVA-KIT for the XT- PICO-USB offers all functions as well as hardware options in order to completely try out the XT- PICO-USB. Four USB 2.0 connectors as well as an USB 2.0 HUB-Controller and an POE(PowerOverEthernet) module are included in the EVA-KIT. An XT-PICO-USB and the connection plan are also included in the functional scope.

Hardware description



Schematic



TITLE: EVAKIT_XTPICO_USB

Document Number:

Date: 22.11.2010 11:42:32

Sheet: 1/2

Schematic

