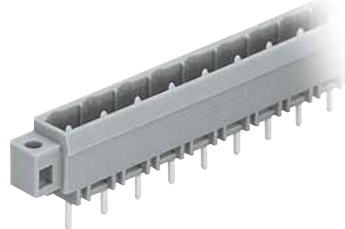


MULTI CONNECTION SYSTEM **MIDI**

Headers with Solder Pins and Double Pin Headers with Mounting Feet for DIN 35 Rail, Pin Spacing 7.5 mm / 0.295 in

Pin spacing 7.5 mm/0.295 in, grey 400 V/6 kV/3 300 V, 10 A ① ② 12 A ①/16 A ② 300 V, 15 A ②	Pin spacing 7.5 mm/0.295 in, grey 400 V/6 kV/3 300 V, 10 A ① ② 12 A ①/16 A ② 300 V, 15 A ②	Pin spacing 7.5 mm/0.295 in, grey 400 V/6 kV/3 300 V, 10 A ① ② 12 A ①/16 A ② 300 V, 15 A ②
* ① ② VDE ③ ④ CCA ⑤ ⑥ GL BV LR ⑦ ⑧ ABS	* ① ② CCA ③ ④ GL BV LR ⑤ ⑥ ABS	* ① ② VDE ③ ④ CCA ⑤ ⑥ GL BV LR ⑦ ⑧ ABS

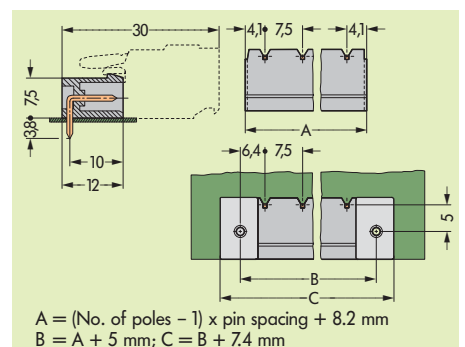
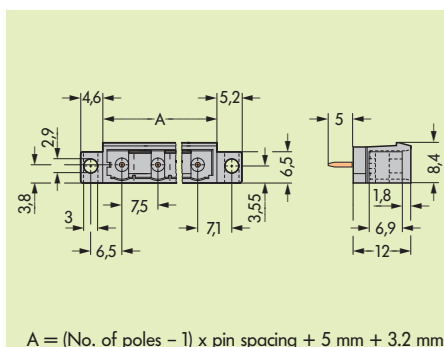
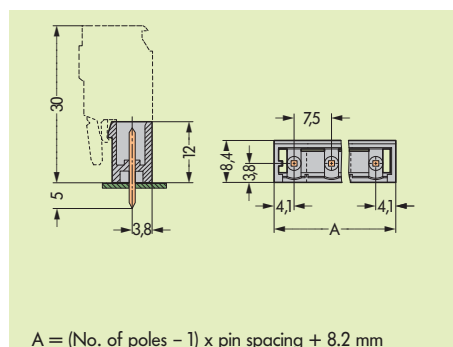


No. of poles	Item No.	Item No.	No. of poles	Item No.	Item No.	No. of poles	Item No.	Item No.
Headers with straight solder pins, grey,			Headers with straight solder pins and fixing flanges, grey,			Headers with right angle solder pins, grey,		
solder pin 1 mm x 1 mm ①		1.2 mm x 1.2 mm ②	solder pin 1 mm x 1 mm ①		1.2 mm x 1.2 mm ②	solder pin 1 mm x 1 mm ①		1.2 mm x 1.2 mm ②
2	231-232/001-000	231-262/001-000				2	231-832/001-000	231-862/001-000
3	231-233/001-000	231-263/001-000				3	231-833/001-000	231-863/001-000
4	231-234/001-000	231-264/001-000				4	231-834/001-000	231-864/001-000
5	231-235/001-000	231-265/001-000				5	231-835/001-000	231-865/001-000
6	231-236/001-000	231-266/001-000				6	231-836/001-000	231-866/001-000
7	231-237/001-000	231-267/001-000				7	231-837/001-000	231-867/001-000
8	231-238/001-000	231-268/001-000				8	231-838/001-000	231-868/001-000
9	231-239/001-000	231-269/001-000				9	231-839/001-000	231-869/001-000
10	231-240/001-000	231-270/001-000	10	231-240/040-000	231-270/040-000	10	231-840/001-000	231-870/001-000
11	231-241/001-000	231-271/001-000				11	231-841/001-000	231-871/001-000
12	231-242/001-000	231-272/001-000				12	231-842/001-000	231-872/001-000
13	231-243/001-000	231-273/001-000				13	231-843/001-000	231-873/001-000
16	231-246/001-000	231-276/001-000	Female connectors with locking devices cannot be used.			16	231-846/001-000	231-876/001-000

Accessories (please refer to remarks concerning coding on page 7.59)

	Coding key, snap-on type, light grey 231-130		Coding key, snap-on type, light grey 231-130		Coding key, snap-on type, light grey 231-130
	Separator, for formation of groups, light grey 231-500		Separator, for formation of groups, light grey 231-500		Separator, for formation of groups, light grey 231-500
					Fixing element, horizontal, grey 231-193
					Screw M 2 x 12 with nut 231-195 for fixing element
					Tapping screw, B 2.2 x 13 231-194 fixing hole Ø 1.8 mm

Dimensions (in mm) Diameter of drilled hole: 1.4^{+0.1}mm (solder pin 1 mm x 1 mm); 1.7^{+0.1}mm (solder pin 1.2 mm x 1.2 mm)



* Approvals with corresponding ratings see pages 12.3 ff.